

# 48002188



Checklist / Manual de Montagem -



Checklist / Fitting Instructions -



Despiezas / Instrucciones de montaje -



3h



x 2

<b>1</b> x1 48001522		<b>2</b> x1 48001309		<b>3</b> x2 47001573		<b>4</b> x1 47001570	
<b>5</b> x1 47001569		<b>6</b> x1 47001568		<b>7</b> x2 47001451		<b>8</b> x2 47001450	
<b>9</b> x2 47001111		<b>10</b> x1 47001053		<b>11</b> x1 47001052		<b>12</b> x2 46005516	
<b>13</b> x2 46005515		<b>14</b> x2 46005514		<b>15</b> x1 46005369		<b>16</b> x2 46005253	
<b>17</b> x6 46004358		<b>18</b> x2 46004345		<b>19</b> x2 46004340		<b>20</b> x4 46003952	
<b>21</b> x2 46003951		<b>22</b> x1 46003674		<b>23</b> x2 46003673		<b>24</b> x2 46003672	
<b>25</b> x4 46003671		<b>26</b> x1 46003043		<b>27</b> x1 46003042		<b>28</b> x2 46002997	
<b>29</b> x2 46002340		<b>30</b> x2 45000874		<b>31</b> x2 45000873		<b>32</b> x2 45000872	
		<input type="checkbox"/> Fêmea freiada M30		<input type="checkbox"/> Farolim SIM		<input type="checkbox"/> Rol. Con.Ø55xØ30	
<b>33</b> x2 45000871		<b>34</b> x2 45000641		<b>35</b> x2 45000626		<b>36</b> x2 45000389	
<input type="checkbox"/> Rol. Con.Ø62xØ35		<input type="checkbox"/> Mola Ø9x1x14,5		<input type="checkbox"/> Prf.Sx.Rsc.P M8x60x			

Isuzu D-max Double  
Cab - 2 Generation  
(2014- )



<b>37</b> x2 <b>45000216</b> Prf. Cb. Sx. M14x30	<input type="checkbox"/> <b>38</b> x4 <b>45000079</b> Batente de amort.	<input type="checkbox"/> <b>39</b> x8 <b>45000077</b> Prf. Cb. Sx. M6x25	<input type="checkbox"/> <b>40</b> x8 <b>45000074</b> Fêmea Freiada M6
<input type="checkbox"/> <b>41</b> x8 <b>45000067</b> Prf. Cb. Sx. M12x35	<input type="checkbox"/> <b>42</b> x8 <b>45000066</b> Fêmea Freiada M12	<input type="checkbox"/> <b>43</b> x8 <b>45000058</b> Prf. Cb. Sx. M8x20	<input type="checkbox"/> <b>44</b> x12 <b>45000048</b> Anilha M8x16x1,6
<input type="checkbox"/> <b>45</b> x20 <b>45000042</b> Anilha M12	<input type="checkbox"/> <b>46</b> x4 <b>45000037</b> Prf. Cb. Sx. M12x30	<input type="checkbox"/> <b>47</b> x6 <b>45000018</b> Fêmea Freiada M8	<input type="checkbox"/> <b>48</b> x2 <b>45000017</b> Fêmea Freiada M10
<input type="checkbox"/> <b>49</b> x2 <b>45000015</b> Prf. Cb. Sx. M10x25	<input type="checkbox"/> <b>50</b> x4 <b>45000013</b> Fêmea Sext. M8	<input type="checkbox"/> <b>51</b> x2 <b>45000007</b> Prf. Cb. Sx. M10x30	<input type="checkbox"/> <b>52</b> x6 <b>45000036</b> Anilha Aba Larga M12

Acessórios: \_\_\_\_ / \_\_\_\_ / \_\_\_\_ | Peças/Compostos: \_\_\_\_ / \_\_\_\_ / \_\_\_\_ | Artigo: \_\_\_\_ / \_\_\_\_ / \_\_\_\_ | Embalagem: \_\_\_\_ / \_\_\_\_ / \_\_\_\_

Thank you for choosing AFN products, a lot of time in R&D has gone into perfecting our products. However, if you find problems with any AFN products you have purchased, or if you have any information which would help us to improve our products, please let us know.

If you think there may be a problem either before or after fitting the AFN product, it is best to contact your nearest AFN distributor.

## **WARNING**

- This product should be installed as demonstrated in the product fitting instructions.
- If verified that any component is damaged, please contact your nearest AFN distributor.
- The specified parts, will only fit the models specified by AFN.
- Do not modify any component of the product.
- It is recommended that this product is installed by specialised and trained personnel.
- AFN cannot be responsible for any changes made by the vehicle manufacturer.
- Work safely and use specialised tools at all times.
- Always use protective gear.



size	Torque Nm	Torque lbft
M6	9Nm	4 lbft
M8	22Nm	16 lbft
M10	44Nm	32 lbft
M12	77Nm	57 lbft

- Tools set required:



### **CONTACTS**

R. da Madeira, nº 113  
Z. Industrial das Travessas  
3700-176 S. João da Madeira  
Portugal

Tel.: (+351) 256 838 300  
Fax: (+351) 256 838 305  
[www.afn.pt](http://www.afn.pt)  
[geral@afn.pt](mailto:geral@afn.pt)

### **COORDINATES**

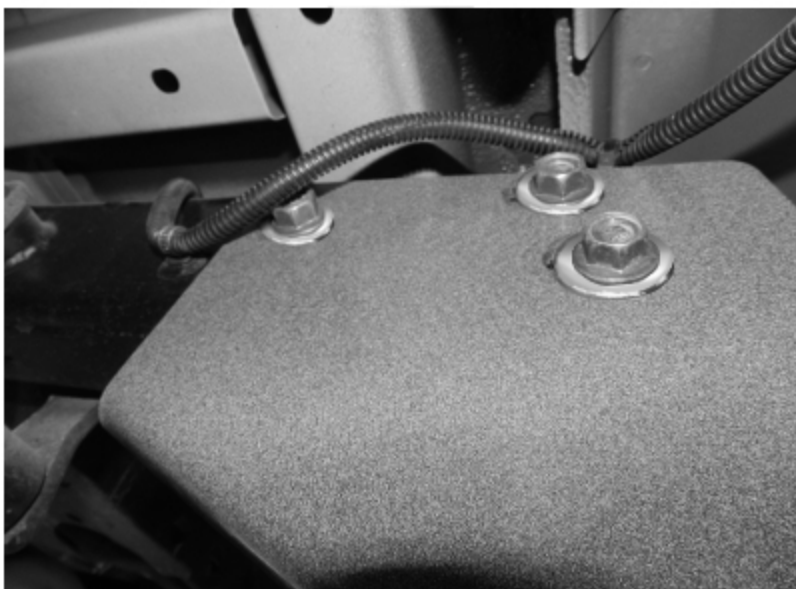
DATUM: European 79  
UTM 05.44.100  
29T 45.28.300  
N 40°54' 14.0"  
W 08°28' 35.0"

**01**

- Before assembling the AFN rear bumper, please remove the OEM bumper

**02**

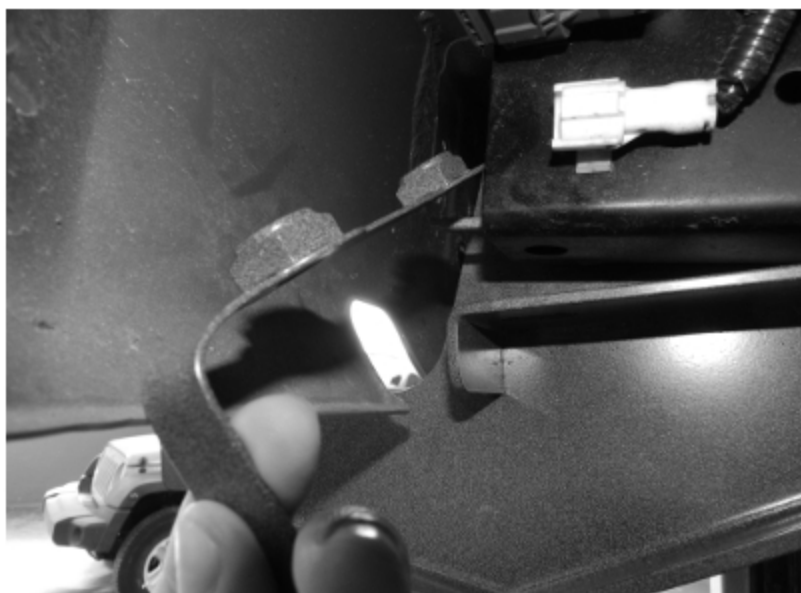
- After removing the OEM parts please fit the part number 47001569 \ 47001570

**03**

- Use the OEM bolts

- Use supplied Washers - 45000036

- Please finger tight the bolts

**04**

- Use part number 47001573 inside the chassis frame

- Repeat operation on the opposite side;

**05**

- After Fitting part number 47001573

- Please finger tight the bolts 45000037/45000042

**06**

- Please repeat operation on the opposite side

07



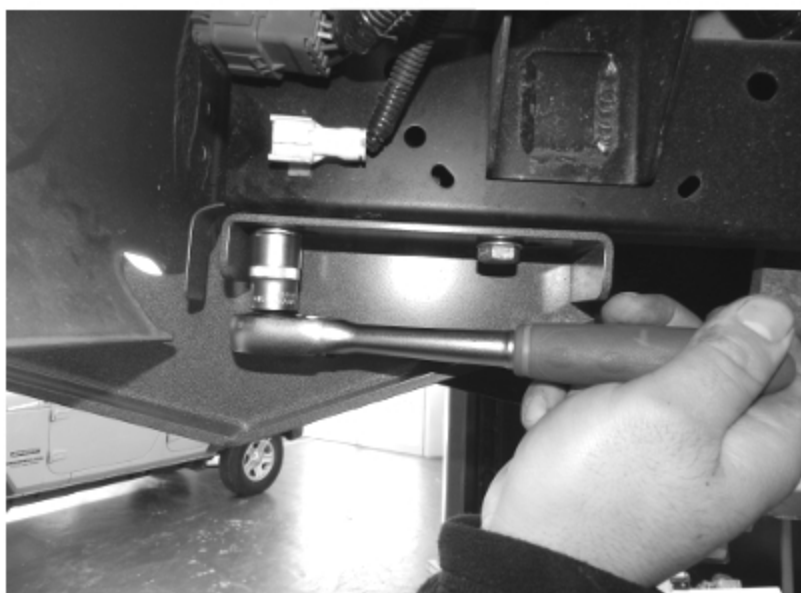
- Fit part number 47001568
- Bolts needed:  
45000067/45000042/45000066

08



- Make sure you leave enough gap between the body and the rear bumper.
- Once all bolts are in place please give the final tight (use the table shown in the first page)

09

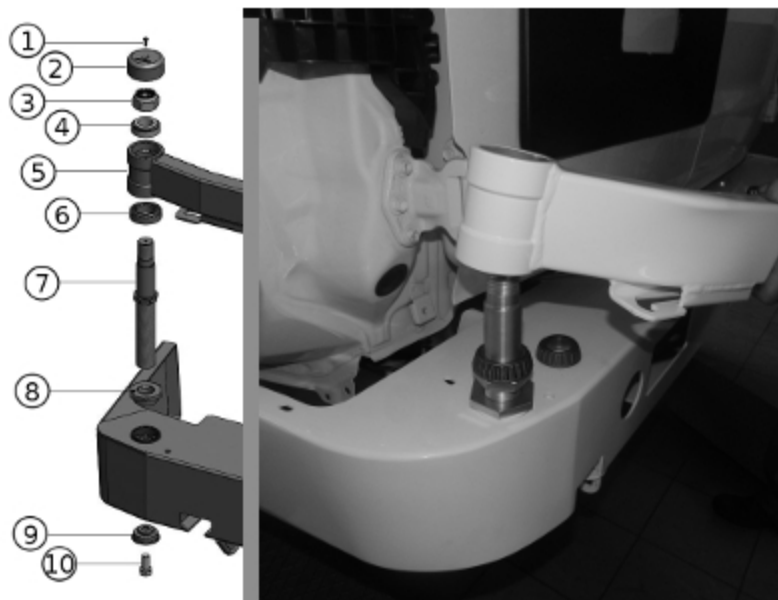


## 10



- after the Bumper is fitted, start assembling all the remaining parts

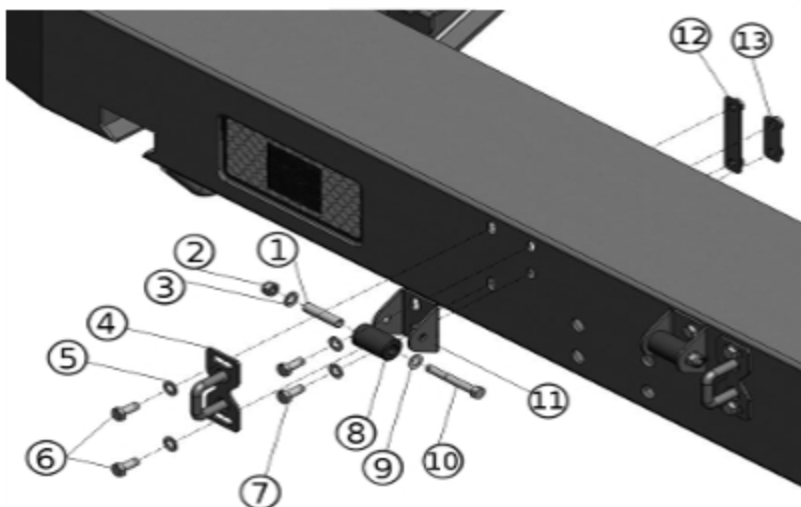
## 11



- |                       |               |
|-----------------------|---------------|
| 1 - 45000389          | 7 - 46002340  |
| 2 - 46005253          | 8 - 46003951* |
| 3 - 45000874          | 9 - 46004340  |
| 4 - 45000872          | 10 - 45000216 |
| 5 - 47001052/47001053 |               |
| 6 - 45000871          |               |

\*This part number allow to adjust the position 5 in up and down

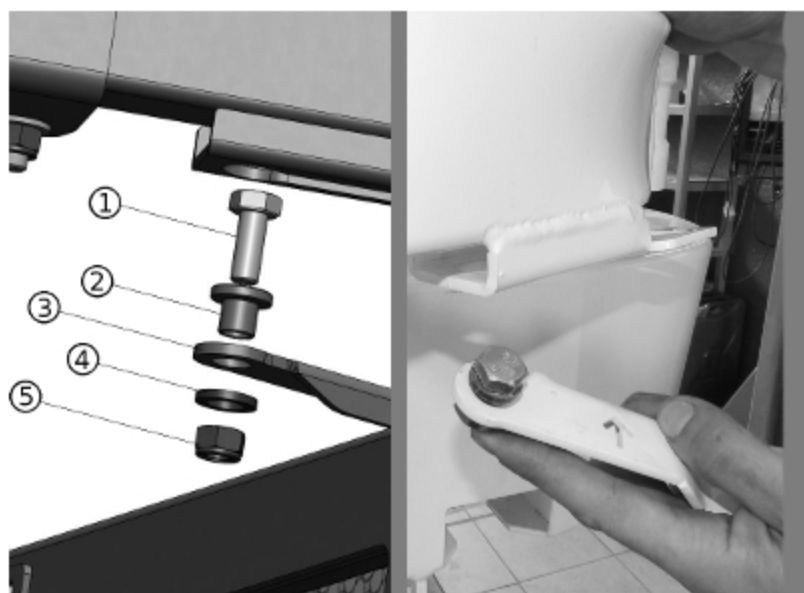
## 12



- |              |               |
|--------------|---------------|
| 1 - 46005516 | 8 - 46005515  |
| 2 - 45000018 | 9 - 45000048  |
| 3 - 45000048 | 10 - 45000626 |
| 4 - 47001111 | 11 - 46005514 |
| 5 - 45000048 | 12 - 47001451 |
| 6 - 45000058 | 13 - 47001450 |
| 7 - 45000058 |               |

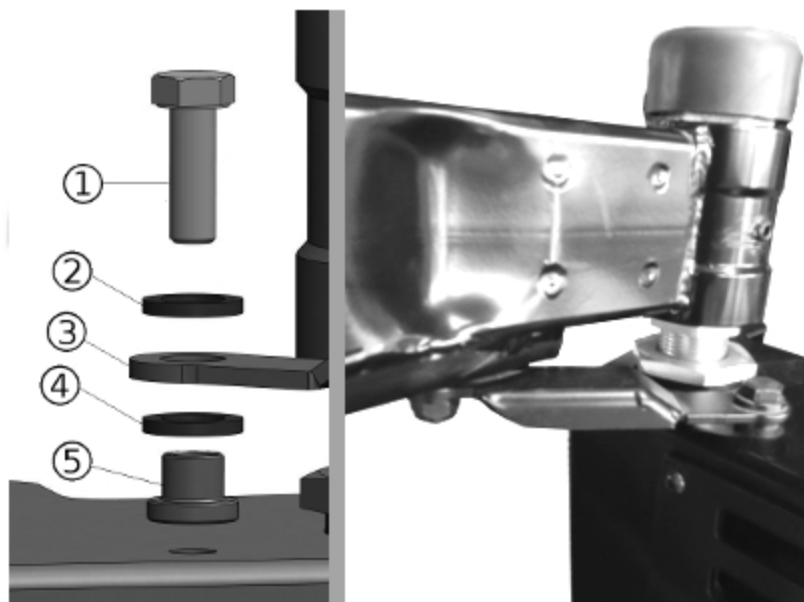
- Adjust parts with the part number 47001052 / 47001053

## 13



- 1 - 45000015
- 2 - 46002997
- 3 - 46003043 / 46003042
- 4 - 46004358
- 5 - 45000017

## 14



- 1 - 45000007
- 2 - 46004358
- 3 - 46003043 / 46003042
- 4 - 46004358
- 5 - 46004345

## 15

