

**CRAFTED LIKE
NO OTHER
DON'T JUST SETTLE
FOR THE SAME
OLD BULL**

OWNER MANUAL

ISUZU
D-MAX 2021+

AFN[®]
4 X 4 ACCESSORIES



**WELCOME TO THE
AFN FAMILY**

This manual contains the **Isuzu D-MAX +2021** fitting instructions for:
Bull Bar w/ Provision for OEM Fog light and AFN indicator Ref.: 48002668
Bumper w/ Provision for OEM Fog light and AFN indicator Ref.: 48002725
Bull Bar w/ Provision for OEM Fog light and indicator Ref.: 48002771
Bumper w/ Provision for OEM Fog light and indicator Ref.: 48002772
Front Bumper w/ Middle Hoop Ref.: 48002753

1 INTRODUCTION



The Company

Founded in 1995, AFN - 4x4 Accessories dedicates itself to the production and commerce of all-terrain accessories. Its constant concern in its customers total satisfaction, and in the ideals of innovation and transformation have granted a position of notability both in the national and international panorama.

The only company in Portugal in the mass production of 4x4 accessories, relies on specialized and experienced technicians, with the most adequate knowledge, to an efficient response capability to its customers demands.

Thanks to the specialization in the several areas of design and manufacture and to a constant investment in technology, AFN has been broadening its wide range of products, without ever neglecting the quality factor.

4x4 Accessories

In its diversity of products we can include, with all-terrain quality, protection, safety and aesthetic accessories.

And it is here that AFN invest on the best technology, the best cut precision of the raw material, and the transformation of products with the quality recognized in the marketplace.

AFN has, at its disposal, resources to test and analyse the resistance of its products and stands in the front row regarding the European homologation of materials dedicated to all terrain.

The contact with the most important test laboratories for vehicles, both in England, Spain and Germany, provides AFN with the know-how to manufacture a wide range of quality products.

Our Design Approach

AFN designs each accessory taking into consideration the original model lines and fitting points. We refuse to have a "one design fits all" solution and we are always looking forward to embrace new challenges on how to adjust a new product into a new model!

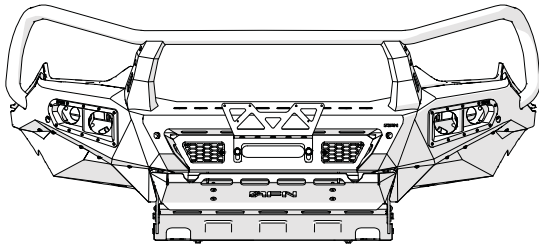
The days of just throwing on a bit of steel together to form a protection system are gone. AFN is leading the way modern vehicle protection components are manufactured. Other will follow, and it won't be long where the AFN approach to Styling, Fit, Form and Function will become the benchmark for all other manufacturers.





INDEX

AFN 4x4 Accessories



Product: **Bull Bar w/ Provision for OEM Fog light and AFN indicator**
Part Ref.: **48002668**

Product: **Bumper w/ Provision for OEM Fog light and AFN indicator**
Part Ref.: **48002725**

Product: **Bull Bar w/ Provision for OEM Fog light and indicator**
Part Ref.: **48002771**

Product: **Bumper w/ Provision for OEM Fog light and indicator**
Part Ref.: **48002772**

Product: **Front Bumper w/ Middle Hoop**
Part Ref.: **48002753**

Introduction 2

1 Checklist 4

Product 48002668/48002725/48002771/48002772/48002753

2 Fitting Instructions 6

3 D-MAX Catalogue 27

4 Warranty Terms 28

5 Attachments 29

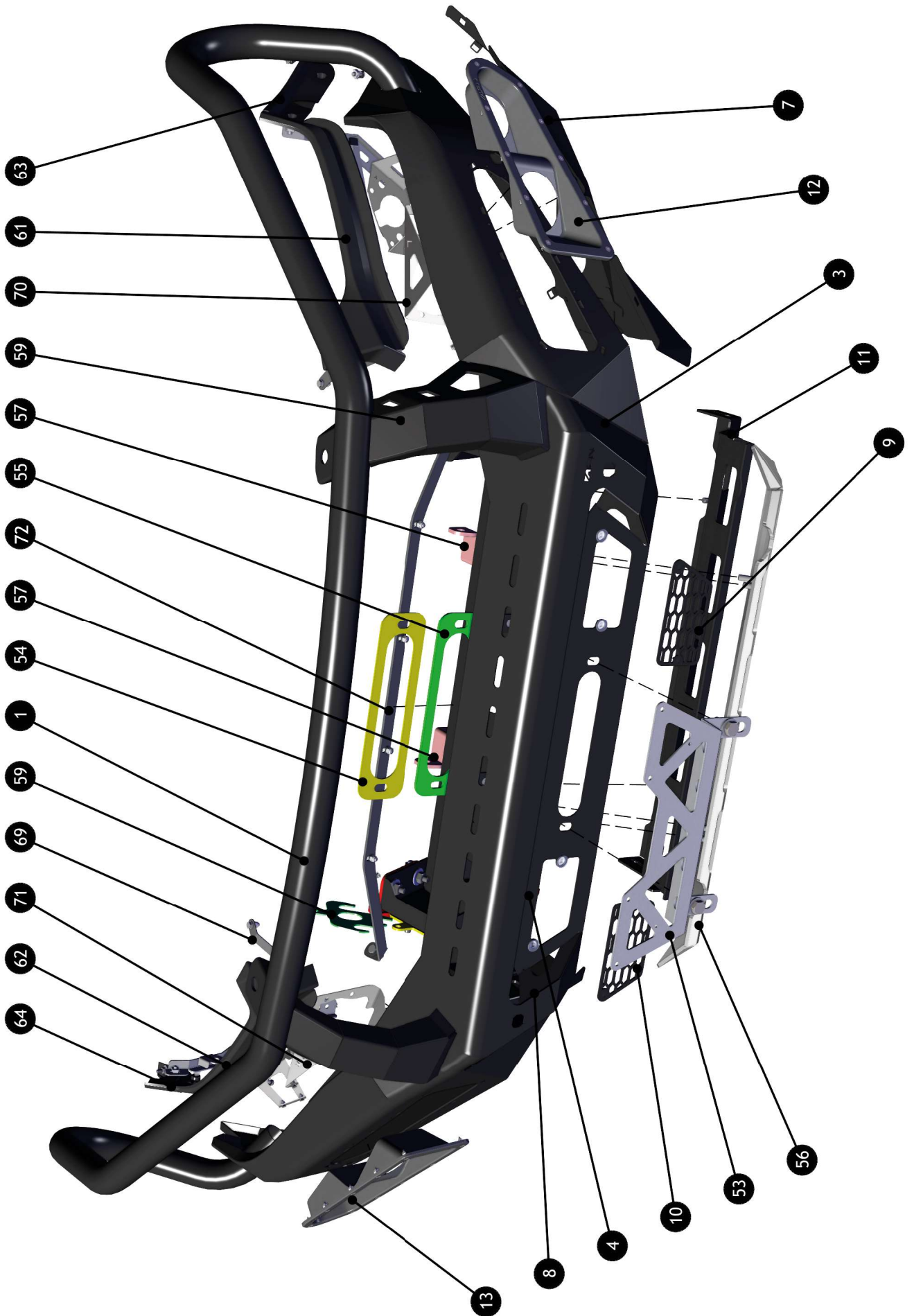


1 CHECKLIST

- In this section you have a checklist with all parts included for the installation of your AFN product
- This product should be installed as demonstrated in the product fitting instructions
- If verified that any component is damaged, please contact your nearest AFN distributor
- The specified parts will only fit in the models specified by AFN
- Do not modify any component of the product

This checklist is for the following products **48002668 (48002771)**, **48002725 (48002772)** and **48002753**. The **only difference** is in **Bumper's Reference**, **47002308**, **47002463** and **47002464**, respectively.

NUMBER	DESCRIPTION	REFERENCE	QTY	NUMBER	DESCRIPTION	REFERENCE	QTY
1	Front Bumper - Isuzu D-MAX 2021	47002308	1x	37	Washer M8	45001255	4x
2	Winch Bracket	47002309	1x	38	Washer M6	45001256	4x
3	Recovery Point (Left Side)	47002310	1x	39	Washer M8 (big)	45001267	4x
4	Recovery Point (Right Side)	47002311	1x	40	Rubber Nut	45001269	4x
5	Triple Nut Plate (Left Side)	47002312	1x	41	Nylock Nut M8	45001521	4x
6	Triple Nut Plate (Right Side)	47002313	1x	42	Nylock Nut M6	45001522	4x
7	Left Wing	47002314	1x	43	Bolt M8x25	45001537	4x
8	Right Wing	47002315	1x	44	Bolt M12x40	45001544	4x
9	Bumper Grill (Left Side)	47002392	1x	45	Bolt M10x35	45001553	6x
10	Bumper Grill (Right Side)	47002393	1x	46	Nylock Nut M10	45001554	2x
11	Lower Skid Plate	47002398	1x	47	Bolt M12x30	45001565	8x
12	Mask for Fog and Indicator Lights - (Left Side)	48002773	1x	48	Bolt M10x35x1.25	45001621	6x
13	Mask for Fog and Indicator Lights - (Right Side)	48002774	1x	49	Lock Nut M10	45001707	4x
14	Washer M6 (big)	45000044	2x	50	Lock Nut M12	45001710	8x
15	Washer M6 (small)	45000050	16x	51	Plastic Washer M6	45001802	12x
16	Nut M6	45000057	2x	52	T-Head Bolt M6x20	45001829	2x
17	Nylock Nut M6	45000074	8x	53	Plate Bracket	46005518	1x
18	Lock Washer M6	45000170	2x	54	Front Winch Bracket Shim 2,5mm thickness	46008193	1x
19	Bolt M12x90x35	45000266	2x	55	Front Winch Bracket Shim 4mm thickness	46008194	1x
20	Bolt M6x20	45000387	4x	56	Front Skid Plate	46009289	1x
21	Bolt M10x30	45000934	4x	57	Winch Reinforcement (Clamp)	46009295	2x
22	Washer M6	45000979	12x	58	Side Winch Bracket Shim 4mm thickness	46009296	2x
23	Washer M12 <small>STAINLESS STEEL</small>	45000995	4x	59	Side Winch Bracket Shim 2,5mm thickness	46009297	2x
24	Bolt M6x20 <small>STAINLESS STEEL</small>	45000998	16x	60	Double Hole Washer	46009303	2x
25	Cage Nut M6	45001012	16x	61	Headlight Plastic (Left Side)	46009305	1x
26	Bolt M6x16	45001016	8x	62	Headlight Plastic (Right Side)	46009306	1x
27	Bolt M12x30 <small>STAINLESS STEEL</small>	45001027	2x	63	Side Plastic (Left Side)	46009718	1x
28	Nylock Nut M12 <small>STAINLESS STEEL</small>	45001033	2x	64	Side Plastic (Right Side)	46009719	1x
29	Bolt M10x30 <small>STAINLESS STEEL</small>	45001103	2x	65	Headlight Bracket (Left Side)	46009720	1x
30	Plastic Nut M3,5	45001113	14x	66	Headlight Bracket (Right Side)	46009721	1x
31	Bolt M3,5x16 <small>STAINLESS STEEL</small>	45001123	14x	67	Bracket for OEM Headlight (Left Side)	46009723	1x
32	Flange Nut M4	45001166	12x	68	Bracket for OEM Headlight (Right Side)	46009724	1x
33	Bolt M4x12 <small>STAINLESS STEEL</small>	45001232	12x	69	Headlight Reinforcement	46009975	2x
34	Washer M12	45001250	22x	70	Aluminium Bracket for OEM Lights (Left Side)	46010006	1x
35	Washer M10 (big)	45001251	10x	71	Aluminium Bracket for OEM Lights (Right Side)	46010007	1x
36	Washer M10 (small)	45001254	10x	72	Reinforcement for Spotlights	46010008	1x



2 FITTING INSTRUCTIONS



WARNING:

Before you begin installation, read all instructions thoroughly.
Proper tools will improve the quality of installation and reduce the time required.

- This product should be installed as demonstrated in the *Product «Fitting Instructions»*;
- The specified parts, will only fit the models specified by **AFN**;
- Do not modify any component of the product;
- It is recommended that this product is installed by specialized and trained personnel;
- AFN doesn't take responsibility for changes made in the vehicle by its manufacturer;
- Work safely and use specialized tools at all times;
- **Always use protective gear.**

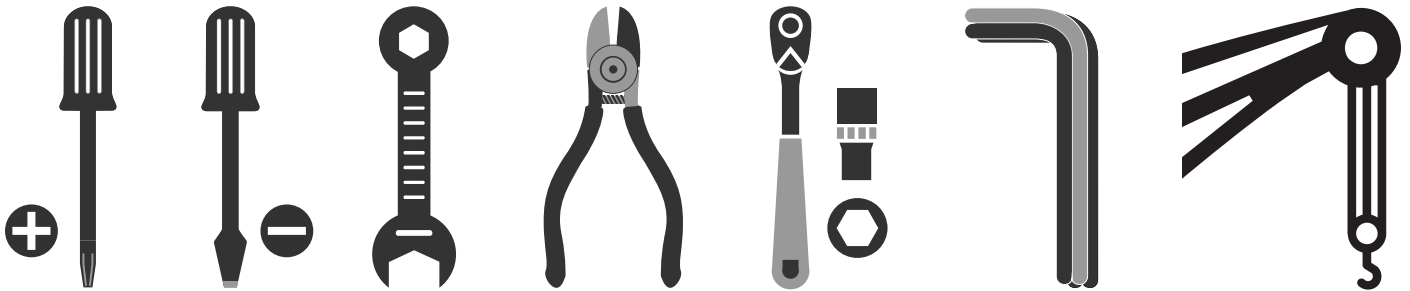


Size	Torque Nm	Torque lbft
M6	9 Nm	7 lbft
M8	22 Nm	16 lbft
M10	44 Nm	32 lbft
M12	77 Nm	57 lbft

Mouting Time

- 3 hours
- 2 persons (recommended)

Tools Required



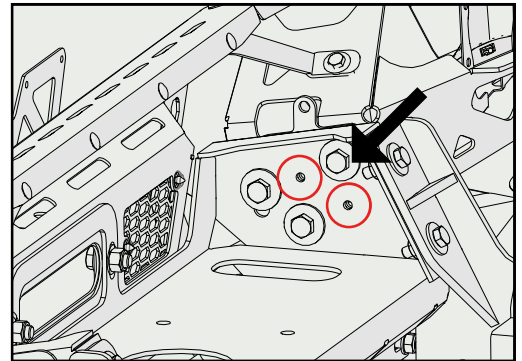
- Screwdriver star head
- Screwdriver flat head
- Wrench
- Wire cutter
- Ratchet wrench
- Allen wrench
- Crane

ATTENTION! - READ THIS BEFORE YOU START FITTING THE AFN BULLBAR | BUMPER

AFN has developed an easy and quick mounting system, where the assembly part combines both the AFN Bullbar | Front Bumper(1) and Winch Bracket(2) that is fitted on the vehicle, at once.

This assembly goes from factory, fully tightened with shims. This is what we call the «0 point of the AFN Bullbar | Front Bumper(1)».

The holes on the **Red Circles** must be correctly aligned in order to the AFN Bullbar | Bumper Assembly is on «0 point».



ADJUSTING THE AFN BULLBAR | BUMPER

Every AFN Bull Bar | Front Bumper is designed taking into consideration the vehicle's original lines.

In order to give a good response in terms of design, resistance and functionality, we've created some ways to adjust the AFN Bull Bar | Front Bumper to the vehicle, depending on the customer's preferences.

1

8x Bolts that fixes the Winch Bracket to the Vehicle.

Horizontally (left and right) adjustments.

1 - When loosen -> allows the AFN Bull Bar | Front Bumper to be adjusted horizontally.

2 - When loosen -> allows the AFN Bull Bar | Front Bumper to be adjusted vertically and depth.

2

6x Bolts, 3x on each side, that fixes the Winch Bracket to the AFN Bull Bar | Front Bumper.

Vertically (height) and depth adjustments.

Step 1

Start by removing the OEM* Plastic Cover.

There are 8x OEM* plastic pins to be removed.

Then, go to the OEM* Air Entrance and loosen it so the OEM* Plastic Cover can be taken out.

There are 2x OEM* plastic pins.

(Be aware that you must save the OEM* pins.)

The OEM* Plastic Cover and OEM* Air Entrance will be fitted again later on.



*OEM - Original Equipment Manufacturer

Step 3

Once that is done, remove the **OEM* Top Grill**.

There are 3x Bolts and one 1x Bolt in middle, as shown is the image.

(Be aware that you must save the OEM bolts.)*

The **OEM* Top Grill** will be fitted again later on.



Step 4

Then, remove the **OEM* Grill**.

There are 4x **OEM* Plastic Pins**.

(Be aware that you must save the OEM bolts.)*

The **OEM* Grill** will be fitted again later on.



Step 5

Now it's time to loosen the **OEM* Plastic Fenders**.

There are 6x plastic pins and 1x bolt in the inner side.

Then, on bottom, there are 1x flange nut and 1x plastic pin.

(Be aware that you must save the OEM bolts and nuts.)*

The **OEM* Plastic Fenders** will be fitted again later on.

Then, under the **OEM* Bumper**, there are 2 plastic parts, on each side.

There are 2x bolts and 1x plastic pin on the bigger part. The other one only has a fastener.



Step 6

Now the **OEM* Bumper** is loosen, so gently force it out.

There are fasteners all the way of the **OEM* Bumper**.

Be in mind to disconnect all plugs of the Parking Sensors and lights.

If you done correctly, this is what it should look like.



Step 7

Once that is done, remove both **OEM* Side Plastics**.

There are 2x Bolts.

Be in mind that the lower bolt is fixing the **Headlight**, so we advise to fit it back as soon as the plastic part is out.

If you done correctly, this is what it should look like.



Step 8

Then, remove the **OEM* Central Reinforcement**.

There are 4x Bolts in the front and 3x Bolts on bottom.

We advise to unscrew the bottom bolts first.



Step 9

Once that is done, remove the **OEM* Radiator Side Covers**.

Start by loosen the top plastic parts, they only have 1x Plastic Pins.

(Be aware that you must save the OEM pins.)*

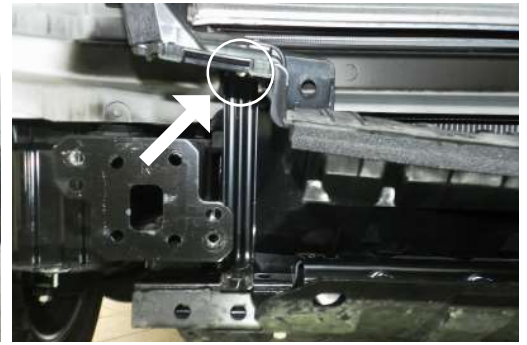
The **OEM* Radiator Side Covers** will be fitted again later on.



Step 10

Finally, remove both **Front Bumper Brackets (inner)**.

It has 1x Bolt, on each.



Step 11

Then, remove both **Front Bumper Brackets (outer)**.

There are 2x Bolts, on each.

Repeat this step on the other side.

If you done correctly, this is what it should look like.



Step 12

Then, it's time to remove the **OEM* Grill**, just gently push it out.

There are fasteners all the way of the grill.

Once that is done, it's time to carefully detach the cabling of **Parking Sensors**.

Then, with extra careful remove the **Parking Sensors** from the **OEM* Bumper** and apply them on the **AFN Bullbar | Front Bumper(1)**.



*OEM - Original Equipment Manufacturer

Step 13

Once the *OEM** Grill is out, it's time to trim it. Just below the 2nd line. *(see the final result)*

Bear in mind that this is a precision task, so please take time to correctly trim the Grill.

You may apply some tape to mark the trimming line.

You may have to do the final touches in the trimming the grill. When it's done, and if you want to do a cleaner job, you may use a file to smooth the rough edges.



Step 14

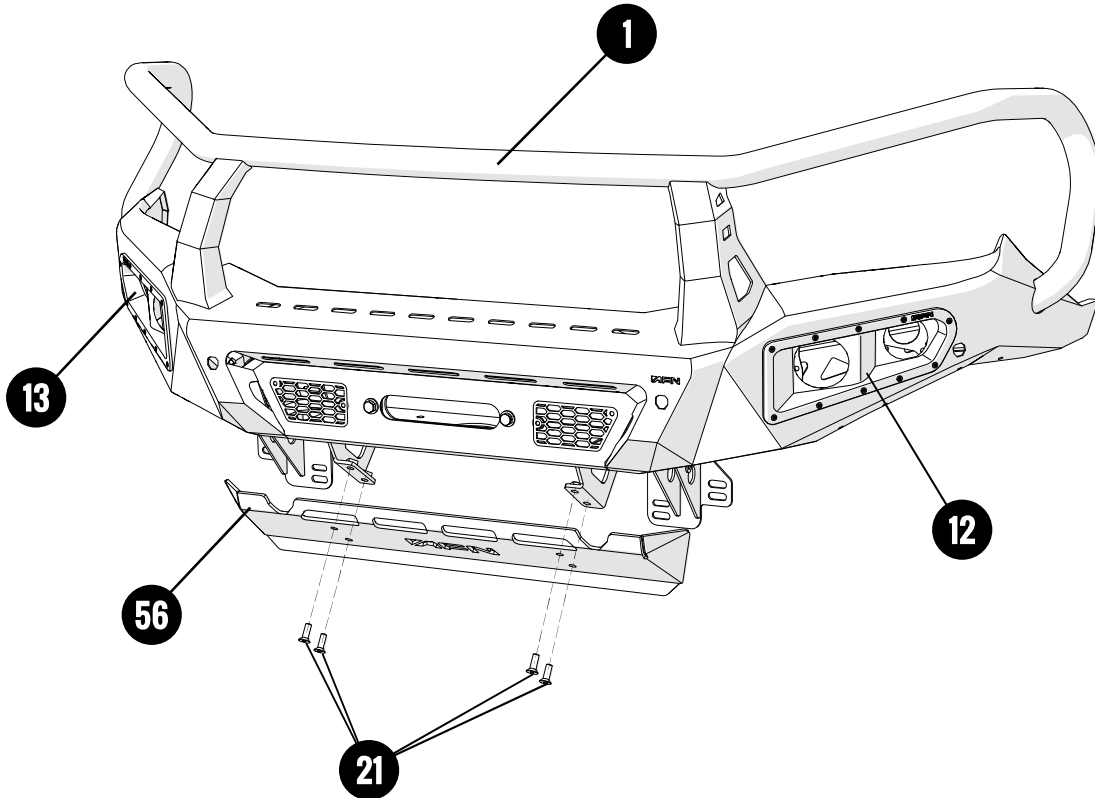
Finally, it's time to remove the *OEM** Fog Lights and Indicators.

Every lamp has 3x *OEM** Bolts and .



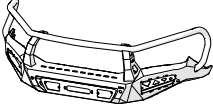
Step 15 - Preparation of the AFN Bullbar | Front Bumper

Preview

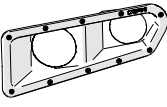


Parts needed:

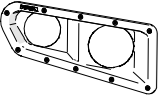
- 1**



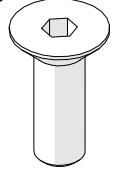
x1 Bull Bar ISUZU D-MAX 2021
- 12**



x1 Mask for Fog and Indic. Lights Left Side
- 13**

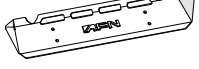


x1 Mask for Fog and Indic. Lights Right Side
- 21**

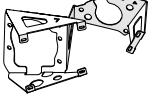


x4 Bolt M10x30

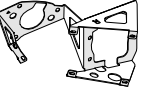
STAINLESS STEEL
- 56**



x1 Front Skid Plate
- 70**



x1 Alum. Bracket for OEM Lights Left Side
- 71**



x1 Alum. Bracket for OEM Lights Right Side

12 48002773	NUMBER	REF	QUANTITY
	A1	46010184	1x
	B1	45001114	10x
	C1	45001113	10x

13 48002774	NUMBER	REF	QUANTITY
	A2	46010185	1x
	B2	45001114	10x
	C2	45001113	10x

Step 15 - Preparation of the AFN Bullbar | Front Bumper

Installation

Before installing the **AFN Bullbar | Front Bumper(1)** on the vehicle there are some details that we advise to do first, in order to be easier the fitting into the vehicle.

Start by removing the **Front Skid Plate(56)** from the **AFN Bullbar | Front Bumper(1)**.

You may leave the 4x Bolts **M10x30(21)** finger tightened in the **Winch Bracket(2)**, so you don't lose them.

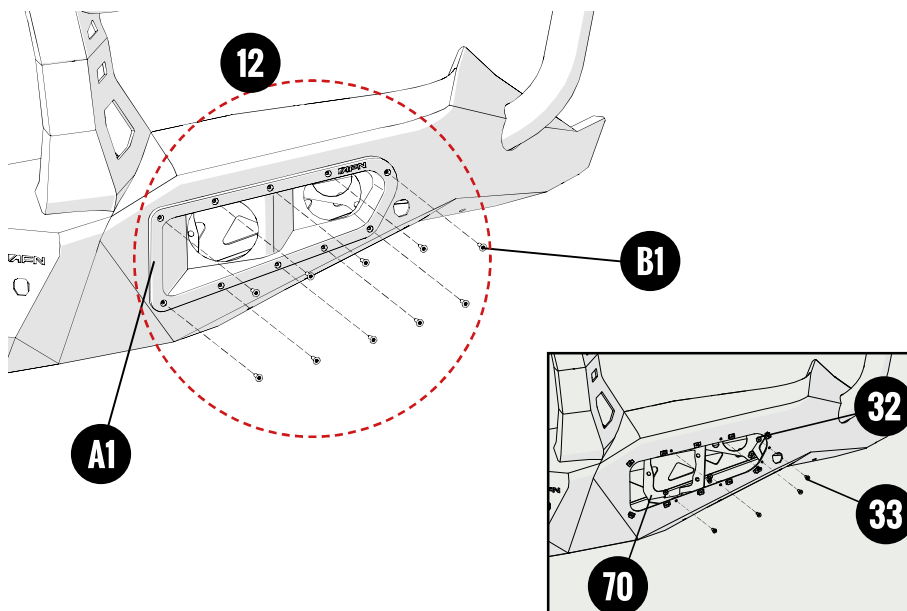
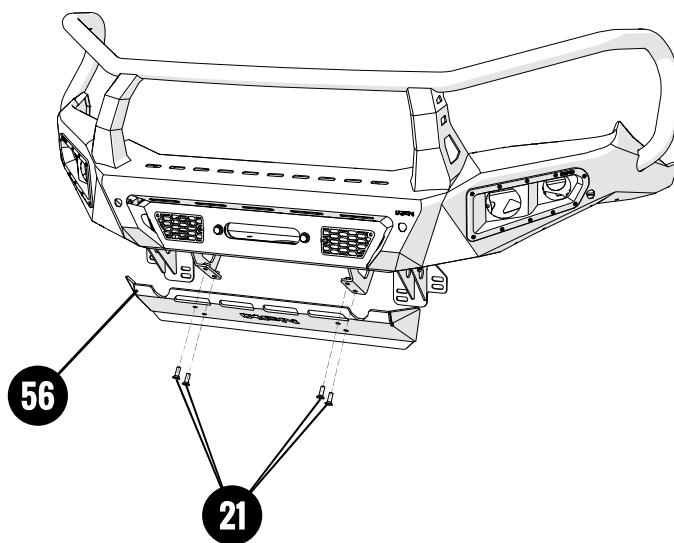
The **Front Skid Plate(59)** will be fitted again, later on. *(these bolts are already fitted on the Bumper)*

Then, remove the **Plastic Mask for Fog and Indicator Lights(A1)** -> (12).

10x Bolts **M4x16 (B1)**. *(these bolts are already fitted on the Bumper)*

Also remove the **Aluminium Bracket(70)**.

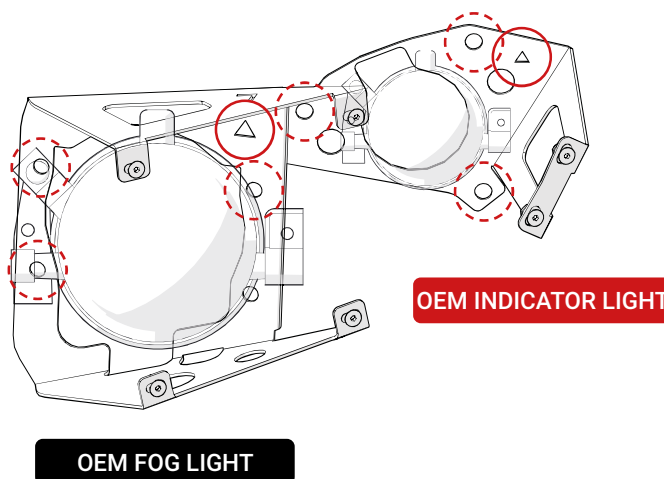
6x Bolts **M4x12(33)** with 6x Flange Nuts **M4(32)**. *(these bolts are already fitted on the Bumper)*



Once that is done, fit the **OEM* Fog and Indicator Lights** on the **Left Aluminium Bracket(70)**.

Use all 6x OEM* Bolts, 3x for each lamp. *(red dashed circles)*

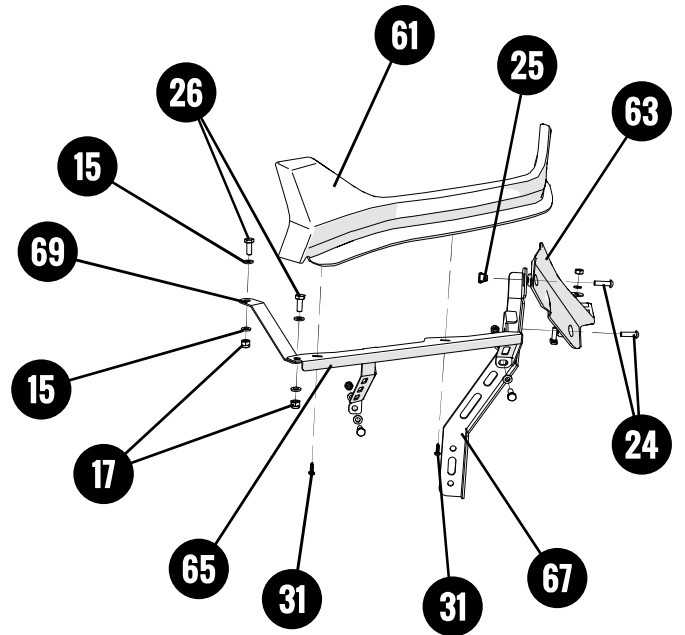
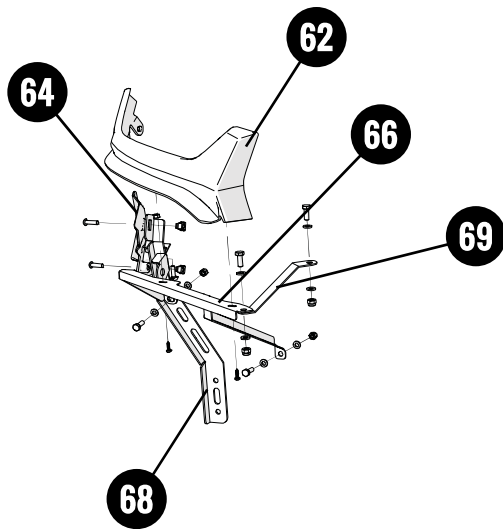
Please note the triangles on the **Left Aluminium Bracket(70)**, which indicates the right orientation when fitting. **They must be up.** *(red circles)*



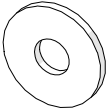
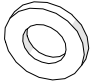
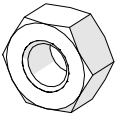
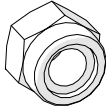

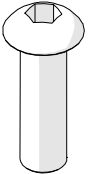
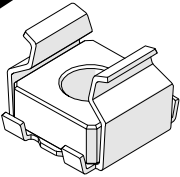
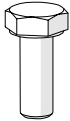
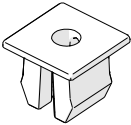
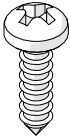
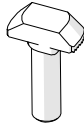


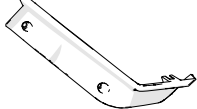
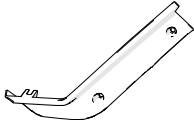




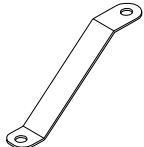
Repeat this step for the other side, using **Right Aluminium Bracket(71)**.

Step 16 - Fitting the Headlight Brackets

Preview



Parts needed:

- | | | | | | |
|--|---|---|---|--|---|
| <p>14</p>  <p>x2 Washer (big) M6</p> | <p>15</p>  <p>x16 Washer (small) M6</p> | <p>16</p>  <p>x2 Nut M4</p> | <p>17</p>  <p>x8 Nylock Nut M6</p> | <p>18</p>  <p>x2 Lock Washer M6</p> | <p>24</p>  <p>x4 Bolt M6x20
<small>STAINLESS STEEL</small></p> |
| <p>25</p>  <p>x4 Cage Nut M6</p> | <p>26</p>  <p>x8 Bolt M6x16</p> | <p>30</p>  <p>x4 Plastic Nut M3,5</p> | <p>31</p>  <p>x1 Bolt M3,5x16
<small>STAINLESS STEEL</small></p> | <p>52</p>  <p>x2 T-Head Bolt M6x20</p> | <p>61</p>  <p>x1 Headlight Plastic Left Side</p> |
| <p>62</p>  <p>x1 Headlight Plastic Right Side</p> | <p>63</p>  <p>x1 Side Plastic Left Side</p> | <p>64</p>  <p>x1 Side Plastic Right Side</p> | <p>65</p>  <p>x1 Headlight Bracket Left Side</p> | <p>66</p>  <p>x1 Headlight Bracket Right Side</p> | <p>67</p>  <p>x1 Bracket for OEM Headlight Left Side</p> |
| <p>68</p>  <p>x1 Bracket for OEM Headlight Right Side</p> | <p>69</p>  <p>x2 Headlight Reinforcement</p> | | | | |

Step 16 - Fitting the Headlight Brackets

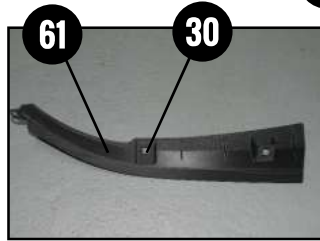
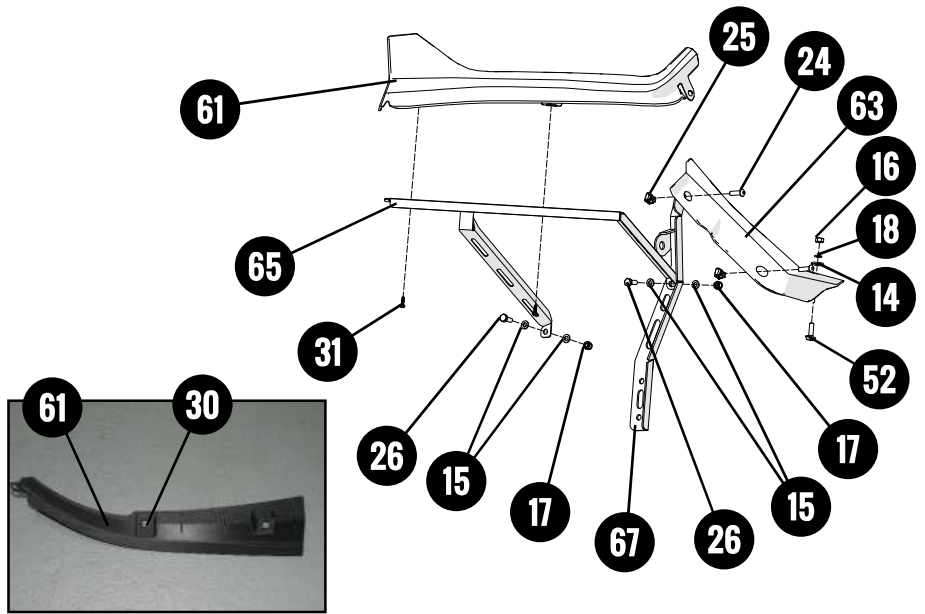
Installation

Before fitting the **AFN Bullbar | Front Bumper(1)** on the vehicle there are some details that we advise to do first.

Start by fitting the **Left Bracket for OEM Headlight(67)**, using 3x OEM* bolts. (see red circles, on picture below)

Then, take on **Left Headlight Plastic(61)** and fit 2x Plastic Nuts(30) on it, just like the image on the right.

Then, fit the **Left Headlight Plastic(61)** on the **Left Headlight Bracket(65)**, using 2x Bolts **M3,5x16(31)**.



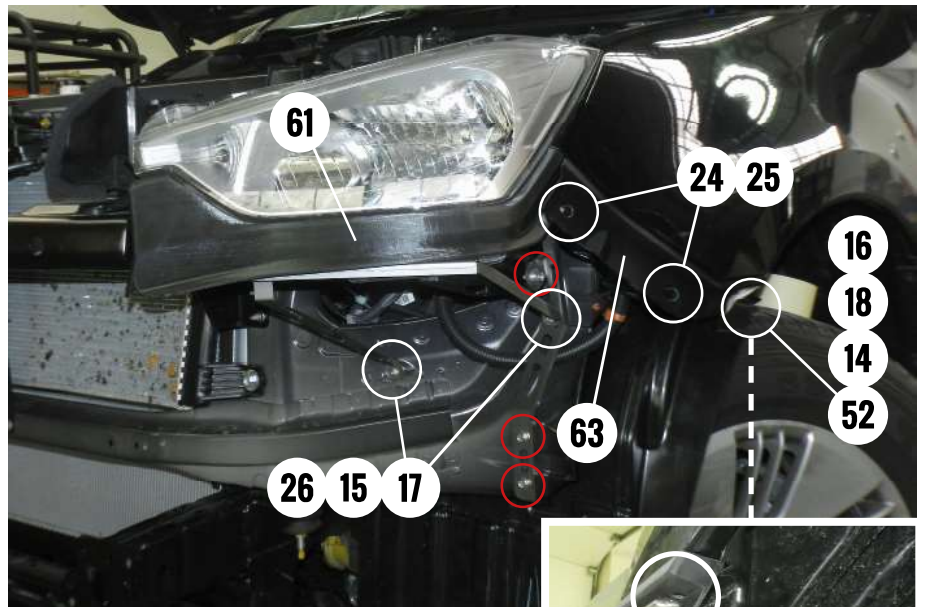
Once that is done, fit that **assembly** on the vehicle. (see picture below)

Use 2x Bolts **M6x16(26)** with 4x Washers **M6(15)** and 2x Nylock Nuts **M6(17)**.

Give the final torque.

Once it is in place, fit above the **Left Side Plastic(63)**, using 2x Bolts **M6x20(24)** with 2x Cage Nuts(25).

Then, in the rear part of **Left Side Plastic(63)** use 1x T-Head Bolt **M6x20(52)** with 1x Washer **M6(14)**, 1x Lock Washer **M6(18)** and 1x Nut **M6(18)**.

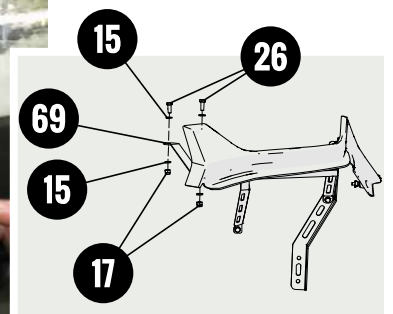


Give the final torque.

The final step is to fit 1x **Headlight Reinforcement(69)** connecting the **Left Headlight Bracket(65)** to the **Vehicle**.

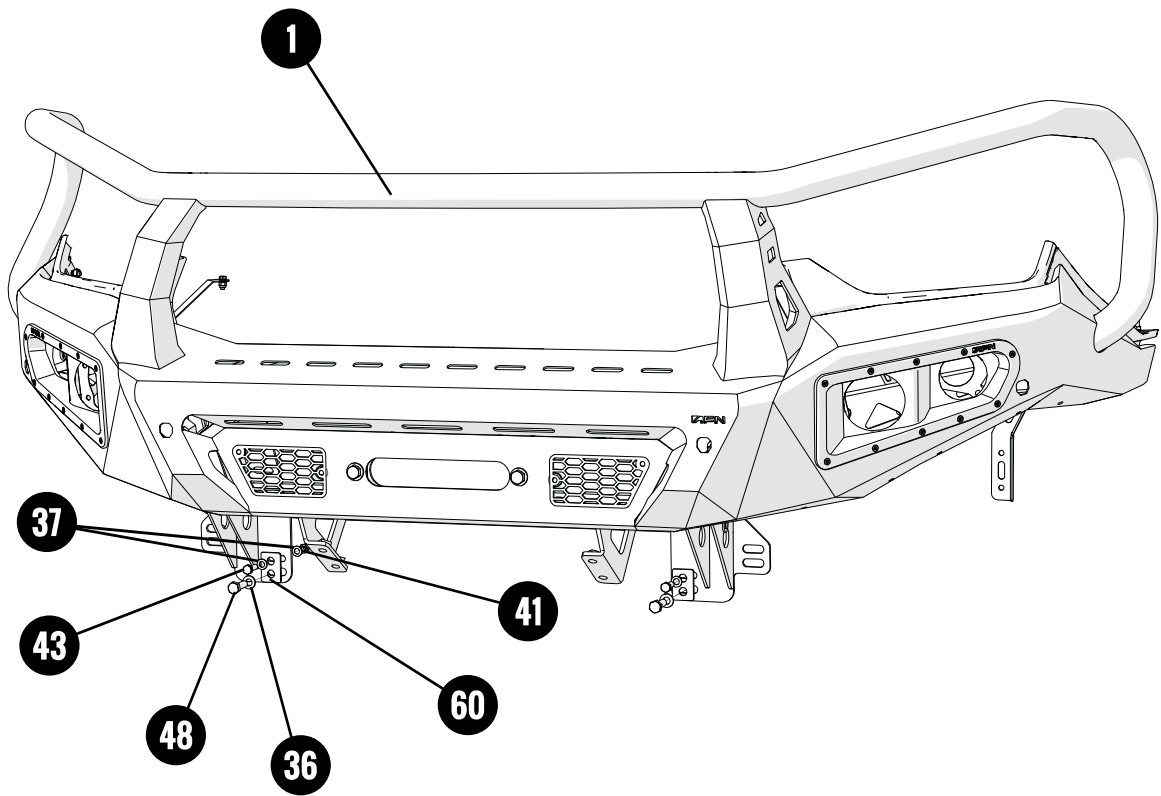
Use 2x Bolts **M6x16(26)** with 4x Washers **M6(15)** and 2x Nylock Nuts **M6(17)**.

Repeat all of these steps for the other side, using **Right Headlight Bracket(66)** with **Right Headlight Plastic(62)**, **Right Side Plastic(64)** and **Right Bracket for OEM Headlight(68)**.

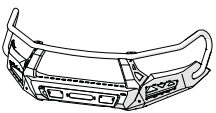
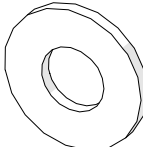
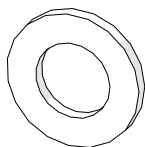
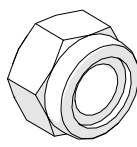
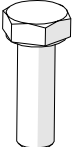
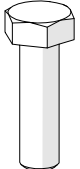
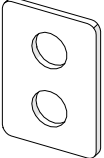


Step 17 - Fitting the AFN Bumper and Winch Bracket Assembly on Chassis

Preview



Parts needed:

- | | | | | | |
|--|--|---|---|--|--|
| <p>1</p>  <p>x1 Bull Bar ISUZU D-MAX 2021</p> | <p>36</p>  <p>x2 Washer M10</p> | <p>37</p>  <p>x4 Washer M8</p> | <p>41</p>  <p>x2 Nylock Nut M8</p> | <p>43</p>  <p>x2 Bolt M8x25</p> | <p>48</p>  <p>x2 Bolt M10x35x1.25</p> |
| <p>60</p>  <p>x2 Double Hole Washer</p> | | | | | |

Step 17 - Fitting the AFN Bumper and Winch Bracket Assembly on Chassis**Installation****ATTENTION!**

AFN has developed an easy and quick mounting system, where the assembly part combines both the AFN Bullbar | Front Bumper(1) and Winch Bracket(2) that is fitted on the vehicle, at once. This assembly goes from factory, fully tightened with shims. This is what we call the «0 point of the AFN Bullbar | Front Bumper(1)».

The holes on the **Red Circles** must be correctly align in order to the **AFN Bullbar | Bumper Assembly** is on «0 point».

So, with help of another person or a crane, lift the **AFN Bullbar | Bumper Assembly** and fit it in the vehicle, as shown in the image.

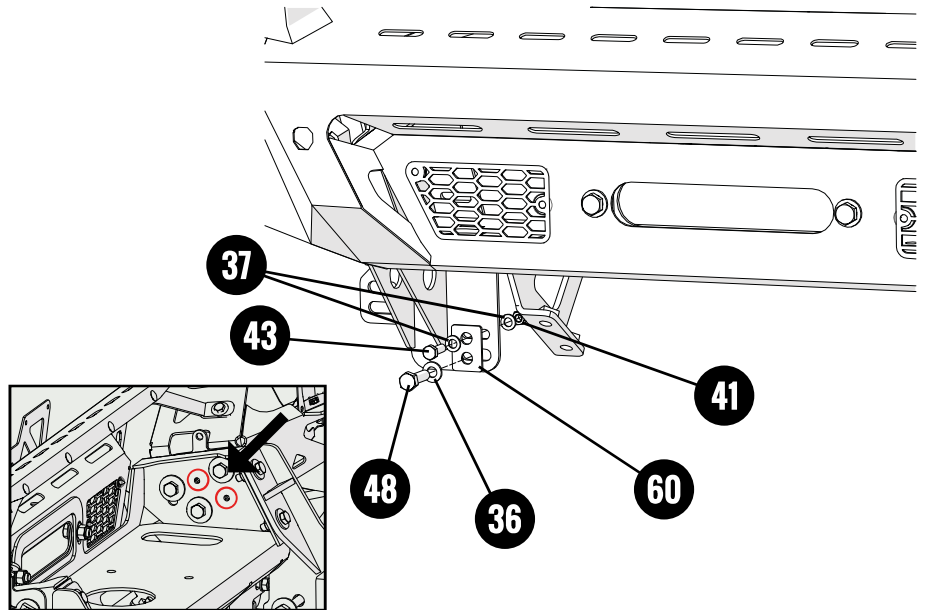
Use 2x Bolts **M10x35x1.25(48)**, with 2x Washers **M10(36)**, and 2x Double Hole Washer(**60**), in the bottom.

Then, on top, use 2x Bolts **M8x25(43)**, with 4x Washers **M8(37)** and 1x Nylock Nut **M8(41)**.

Just finger tight all bolts

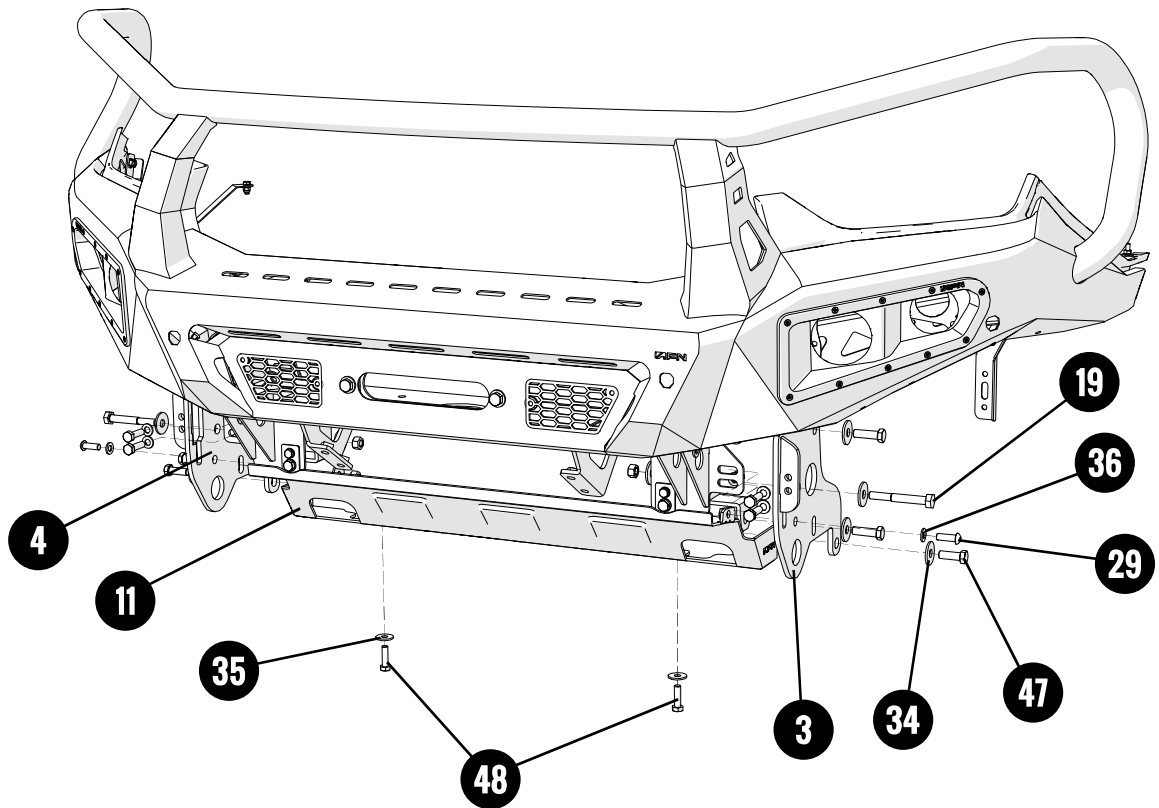
Do Not tighten yet.

If you have done it correctly, this is what it should look like.

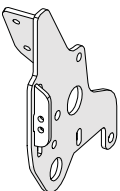
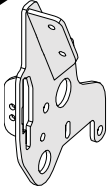
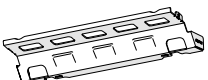

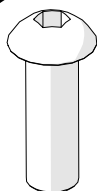
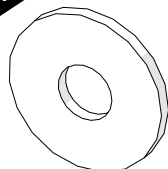
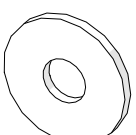
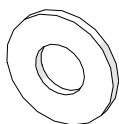
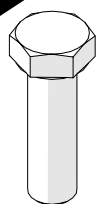
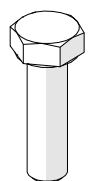
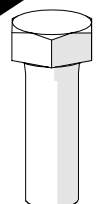
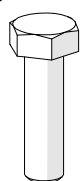
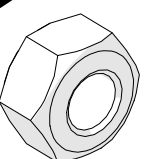
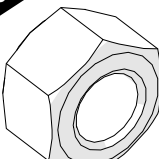
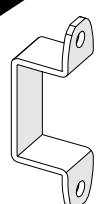


Step 18 - Fitting the AFN Recovery Points on Winch Bracket and Chassis

Preview



Parts needed:

- | | | | | | |
|---|--|---|--|---|--|
| <p>3</p>  <p>x1 Recovery Point
Left Side</p> | <p>4</p>  <p>x1 Recovery Point
Right Side</p> | <p>11</p>  <p>x1 Lower Skid Plate</p> | <p>19</p>  <p>x2 Bolt M12x90x35</p> | <p>29</p>  <p>x2 Bolt M10x30</p> | <p>34</p>  <p>x12 Washer M12</p> |
| <p>35</p>  <p>x10 Washer M10
Big</p> | <p>36</p>  <p>x2 Washer M10
Small</p> | <p>44</p>  <p>x4 Bolt M12x40</p> | <p>45</p>  <p>x6 Bolt M10x35</p> | <p>47</p>  <p>x2 Bolt M12x30</p> | <p>48</p>  <p>x2 Bolt M10x35x1.25</p> |
| <p>49</p>  <p>x4 Lock Nut M10</p> | <p>50</p>  <p>x8 Lock Nut M12</p> | <p>57</p>  <p>x2 Winch Reinforcement
Clamp</p> | | | |

Step 18 - Fitting the AFN Recovery Points on Winch Bracket and Chassis

Installation

Once the **Assembly** is fitted, it's time to fit **Left Recovery Point(3)** connecting the **Winch Bracket(2)** to the **Chassis**.

Use 1x Bolt **M10x35x1.25(48)**, with 1x Washer **M10(36)**, on top.

On the bolts that fit directly into the chassis be careful so you don't damage the Chassis' thread pitch.

Use 1x Bolt **M10x35(45)**, with 2x Washers **M10(36)** and 1x Nylock Nut **M10(46)**, on bottom.

Then, on the side, use 1x Bolt **M12x90x35(19)** with 2x Washers **M12(34)** and 1x Lock Nut **M12(50)**.

Also, on the side, use 1x Bolt **M12x30(47)** with 2x Washers **M12(34)** and 1x Lock Nut **M12(50)**.

Then, use 2x Bolts **M10x35(45)**, with 4x Washers **M10(35)** and 2x Lock Nuts **M10(49)**.

Once the **Left Recovery Point(3)** is fitted, use 1x **Winch Reinforcement(57)**.

Use 2x Bolts **M12x40(44)**, with 4x Washers **M12(34)** and 2x Lock Nuts **M10(50)**.

Repeat all of these steps for the other side, using **Right Recovery Point(4)** and **Right Winch Reinforcement(56)**.

Once both **Recovery Points** are fitted, it's time for the **Lower Skid Plate(11)**.

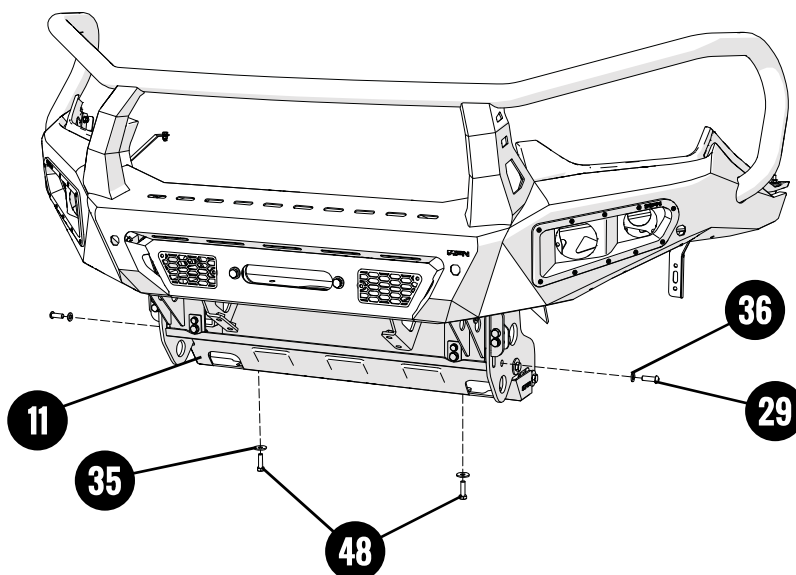
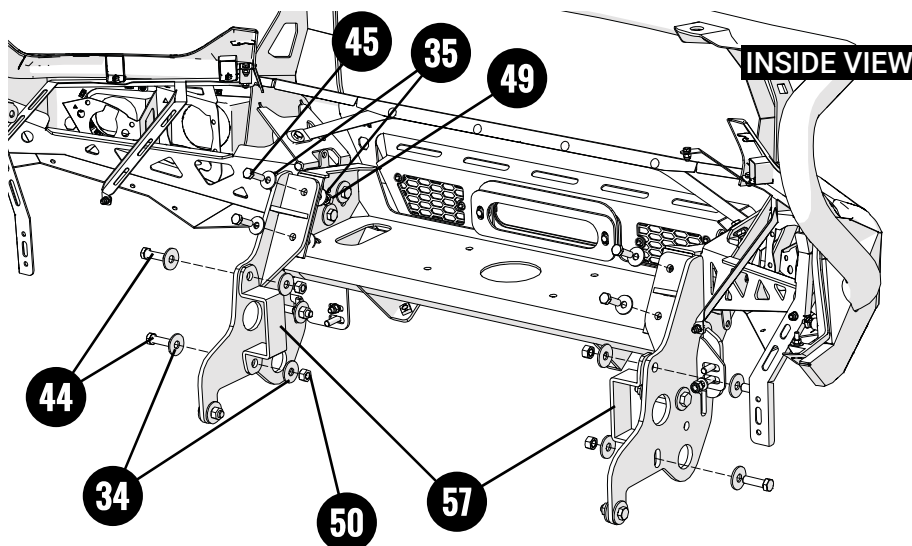
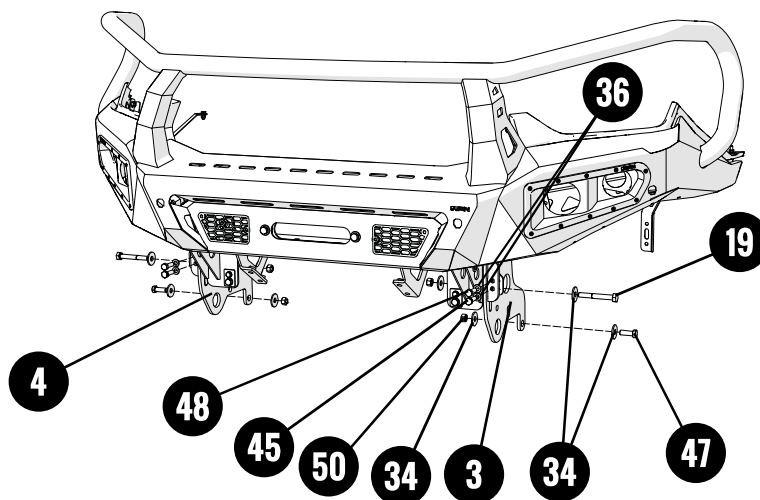
Use 2x Bolts **M10x35x1.25(48)** and 2x Washers **M10(35)**.

Please note that if you AFN Sump Guard Skid Plate - 48002732 to be mounted, use the supplied bolts for this case.

Just finger tight all bolts

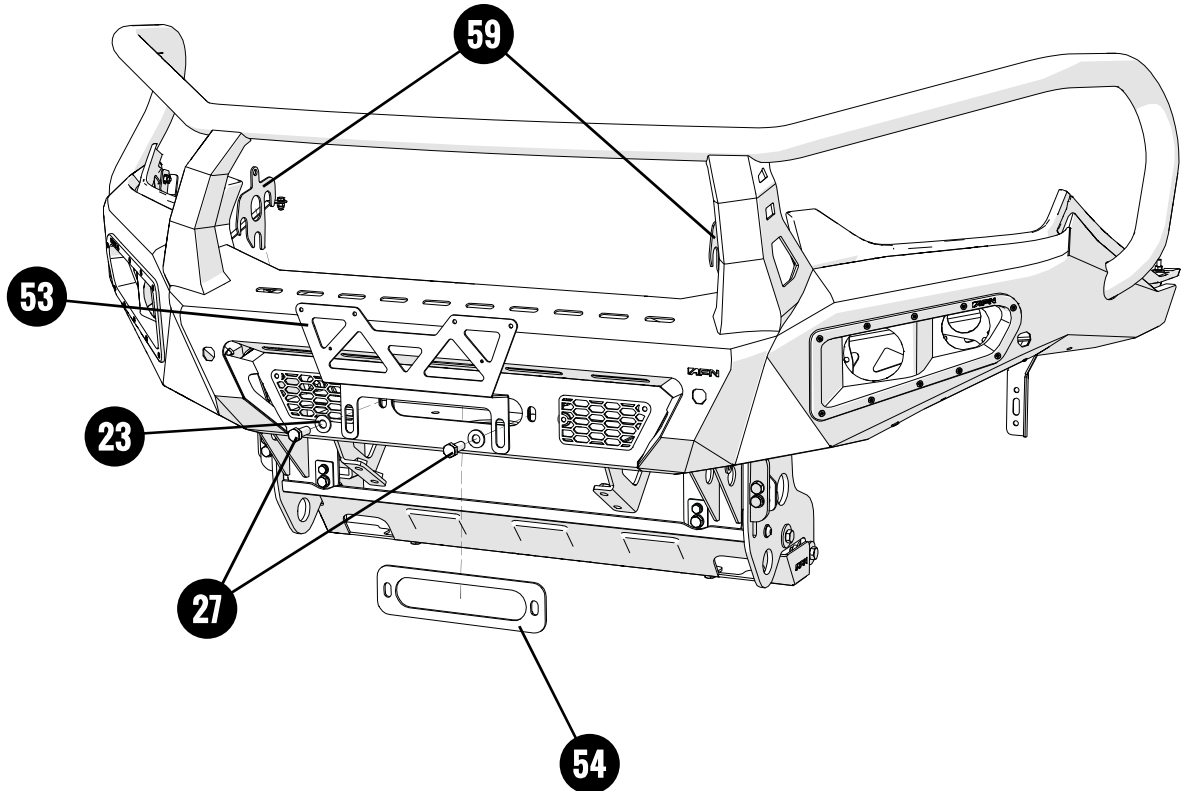
Do Not tighten yet.

If you have done it correctly, this is what it should look like.

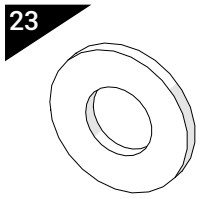


Step 19 - Full tightening the AFN Bullbar | Front Bumper

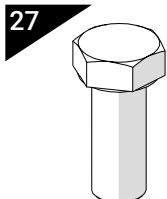
Preview



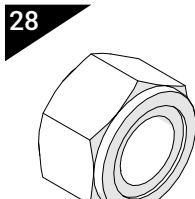
Parts needed:



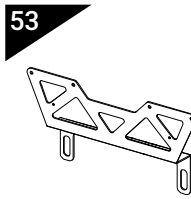
x4 Washer M12



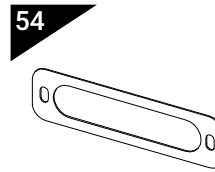
x2 Bolt M12x30



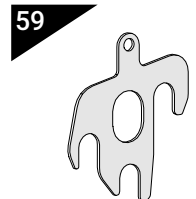
x2 Washer M12



x1 Plate Bracket



x1 Front Winch Bracket Shim
2,5mm thickness



x2 Side Winch Bracket Shim
4mm thickness

Step 19 - Full tightening the AFN Bullbar | Front Bumper

Installation

Start by loosen the 2x Bolts of the Center in the **AFN Bullbar | Front Bumper(1)**, one at a time.

Then, fit the **Plate Bracket(53)** using the same 2x Bolts **M12x30(27)** with 4x Washers **M12(23)** and 2x Nylock Nuts **M12(28)**. *(these bolts are already fitted on the Bumper)*

Now, it's time to check if the **AFN Bullbar | Bumper(1)** is correctly aligned to the **Vehicle**.

If not, loosen the **Bolts of the Winch Mount** and **ADD/REMOVE** the shims, depending on what suits better between the **AFN Bullbar | Bumper(1)** and the **Vehicle**.

The side shims(58) and (59) allows the corners of the **AFN Bullbar | Bumper(1)** to open or to close, depending if they are fitted or not.

The front shims(54) and (55) shortens or extends the distance of the **AFN Bullbar | Bumper(1)** to the **Vehicle's fenders**.

Mind that this is a precision task, please take time to correctly assemble this step.

Use them only if you have to, they are optional and may not be needed.

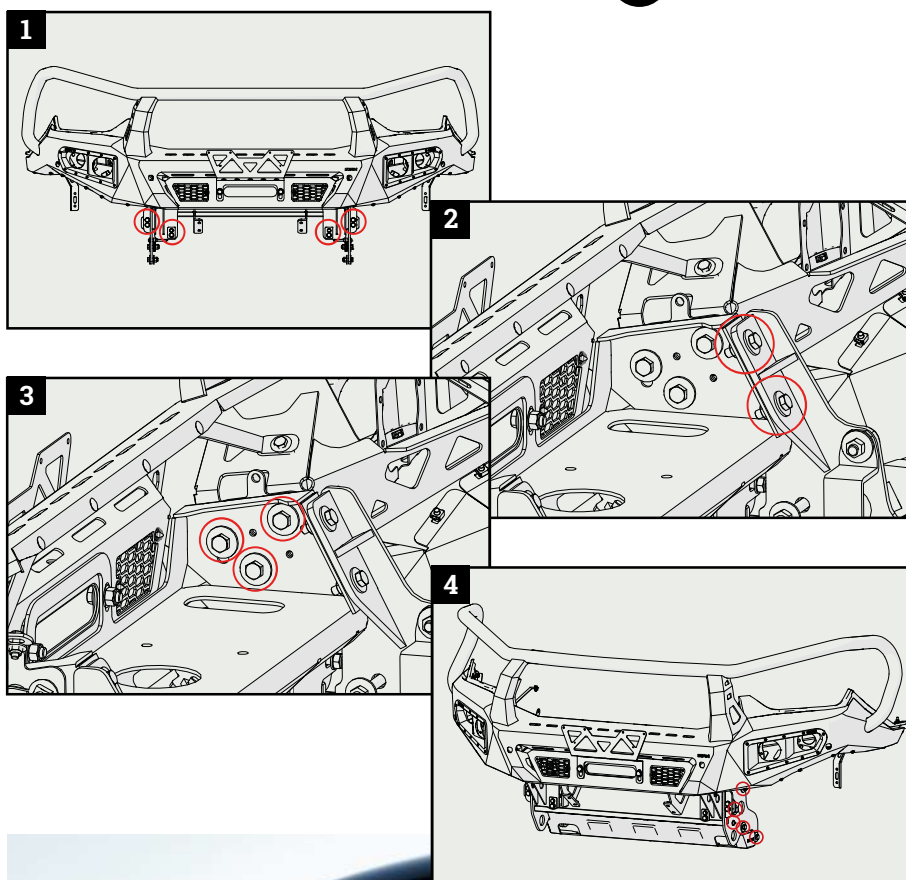
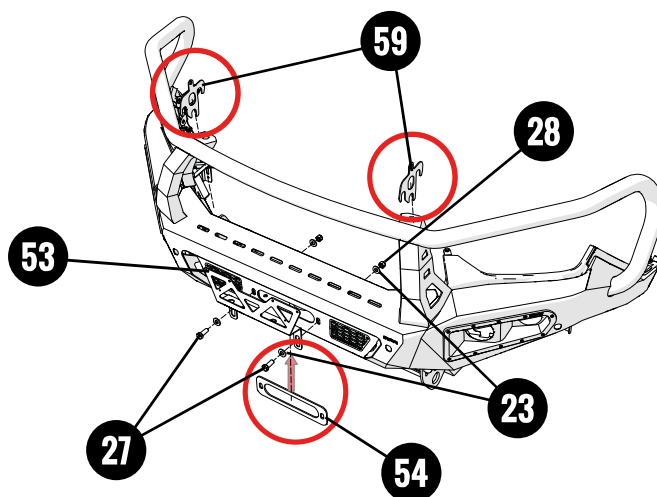
Once the **AFN Bullbar | Bumper(1)** is in place, there is a tightening order to it.

Tightening order:

- 1 - Start by the **4x Bolts** on the chassis;
- 2 - Then, the **4x Bolts** on top of the Winch bracket;
- 3 - The **3x Bolts** on each side, of the Winch bracket;
- 4- The **5x Bolts** on each side, of the Recovery Points;

Check the Initial notes on adjusting the Bumper, on page 7.

Once everything is correctly fitted, **Give the final torque.**

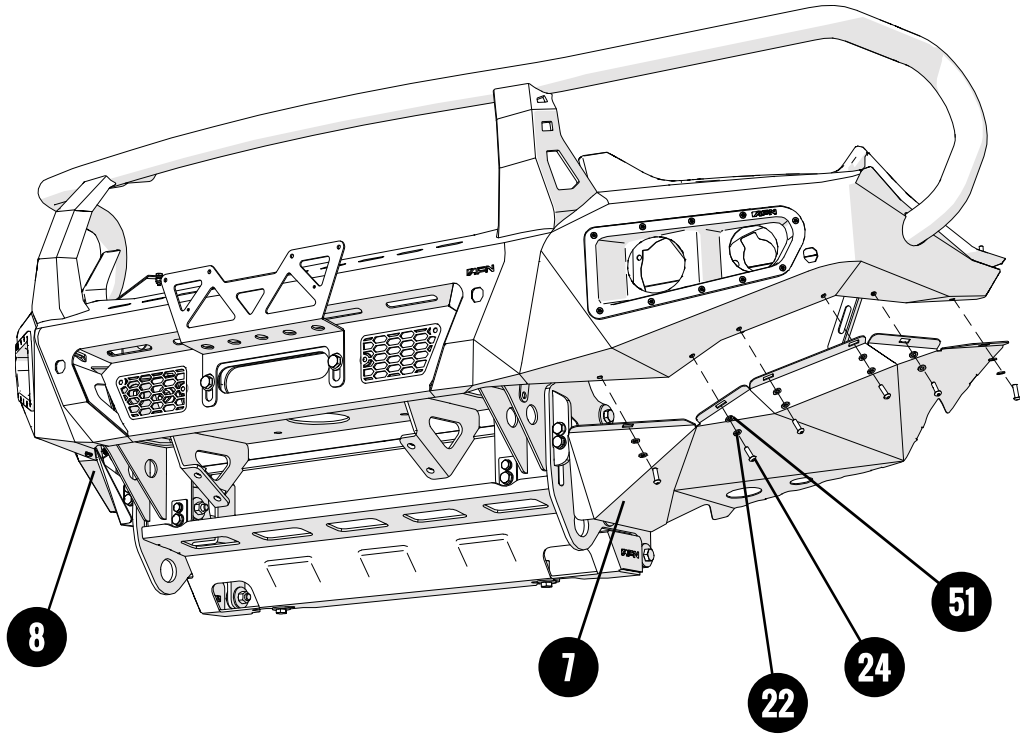


The **AFN Bullbar | Bumper(1)** must have an equal gap (10-15 mm) on both sides.

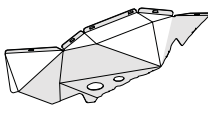
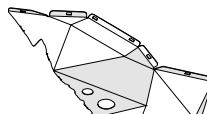
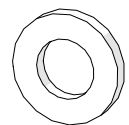
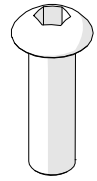
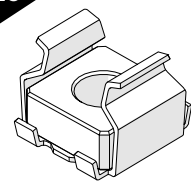
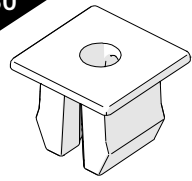
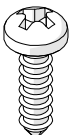
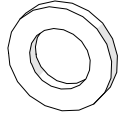
*OEM - Original Equipment Manufacturer

Step 20 - Fitting the Wings in the AFN Bullbar | Bumper

Preview



Parts needed:

- | | | | | | |
|---|--|--|---|--|---|
| <p>7</p>  <p>x1 Left Wing</p> | <p>8</p>  <p>x1 Right Wing</p> | <p>22</p>  <p>x12 Washer M6</p> | <p>24</p>  <p>x12 Bolt M6x20</p> | <p>25</p>  <p>x12 Cage Nut M6</p> | <p>30</p>  <p>x10 Plastic Nut M3,5</p> |
| <p>31</p>  <p>x10 Bolt M3,5x16</p> | <p>51</p>  <p>x12 Plastic Washer M6</p> | | | | |

Step 20 - Fitting the Wings in the AFN Bullbar | Bumper

Installation

Take on **Left Wing(7)** and fit it on the **AFN Bullbar | Front Bumper(1)**.

But first we advise to fit 6x Cage Nuts **M6(25)**.

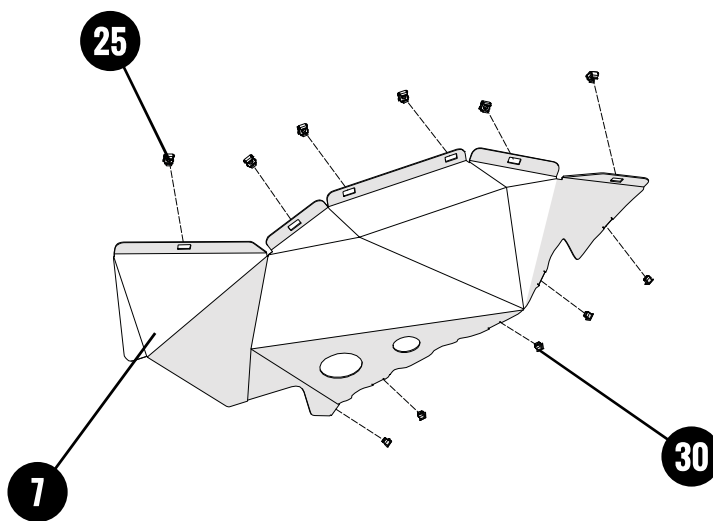
On the Rear, fit 5x Plastic Nuts **M3,5(30)**.

Tip1:

You may use a screwdriver to easily fit the 10x Cage Nuts(25).

Tip2:

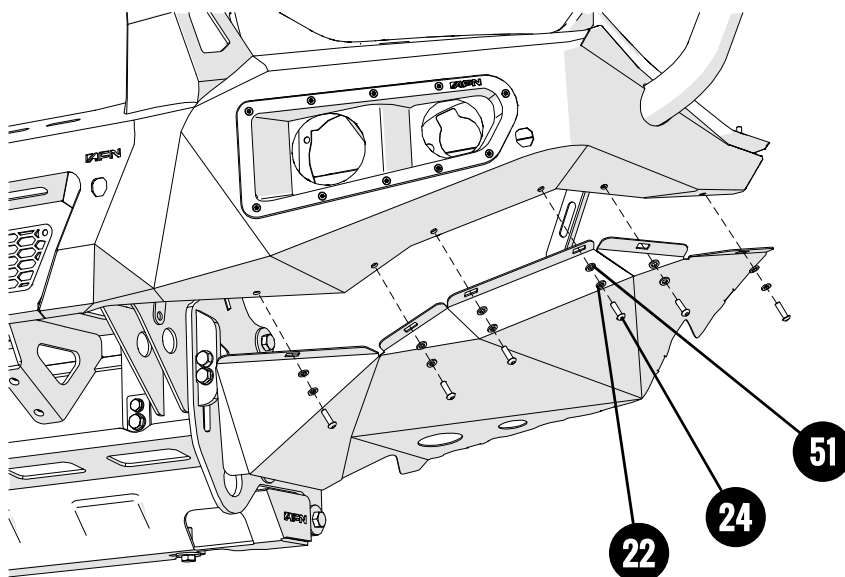
You may use a rubber mallet to easily fit the 12x Plastic Nuts(30).



Once that is done, fit the **Left Wing(7)** in the **AFN Bullbar | Bumper(1)**.

Use 6x Bolts **M6x20(24)** with 6x Washers **M6(22)** and 6x Plastic Washers **M6(51)**.

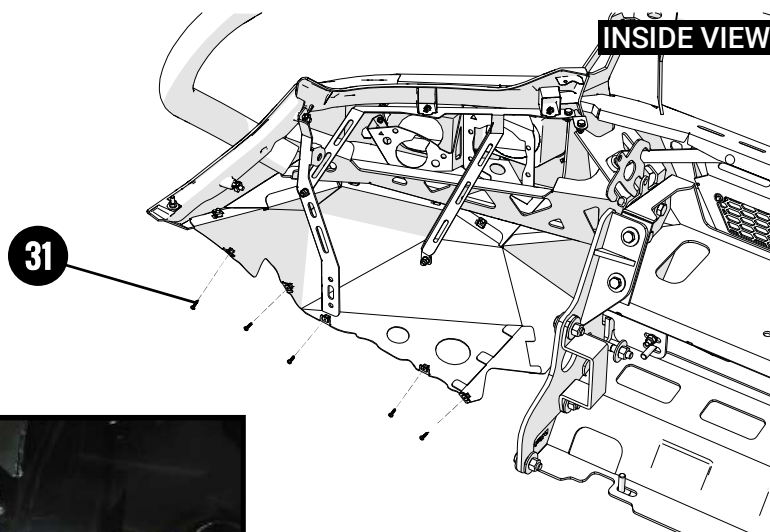
Give the final torque.



Move the **Plastic fender** against the **Left Wing(7)** and mark the cut line. then cut **OEM*** plastic fender.

After the **Plastic fender** is cutted, move it to the inside of the **Left Wing(7)** and drill a **7mm** diameter hole.

Then, move the **Plastic fender** to the outside of the **Left Wing(7)** and fit them through these holes using 5x Bolts **M3,5x16(31)**.



Repeat all these steps on the other side for the **Right Wing(8)**.

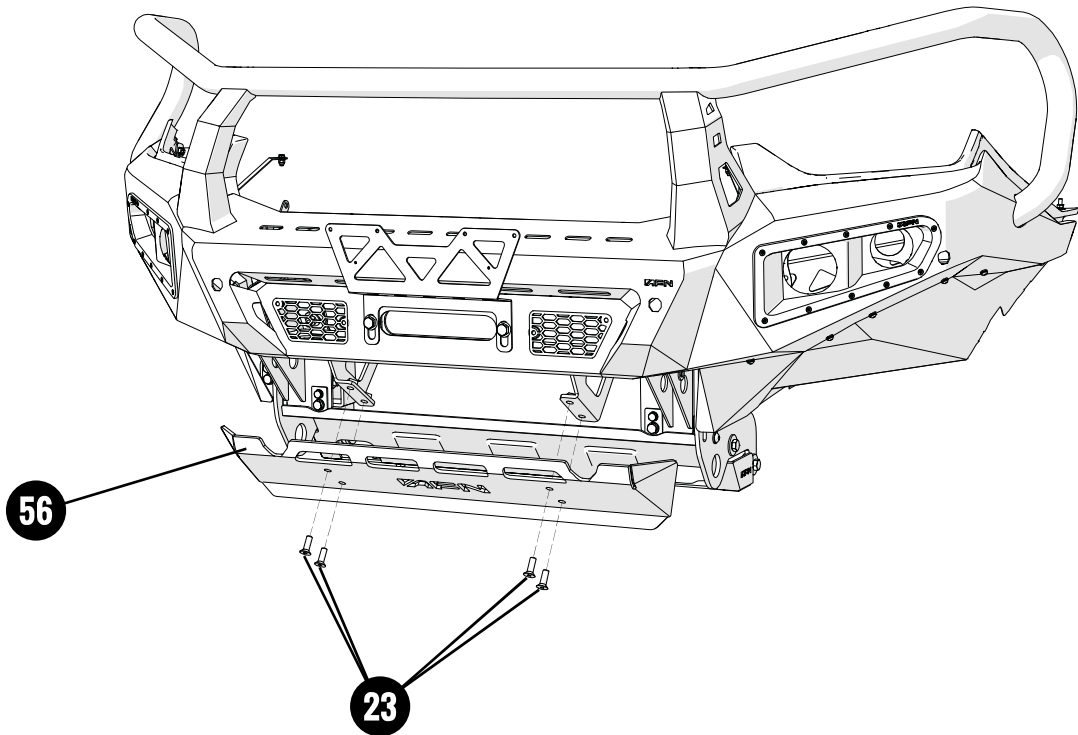
Give the final torque.



*OEM - Original Equipment Manufacturer

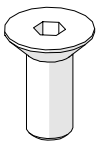
Step 21 - Fitting the Skid Plate in the AFN Bullbar | Bumper

Preview

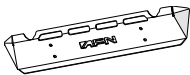


Parts needed:

23



56



STAINLESS STEEL
x4 Bolt M10x25

x1 Front Skid Plate

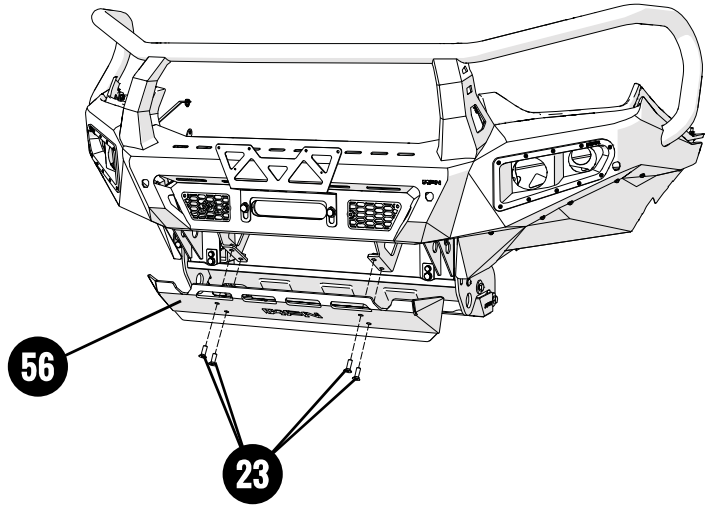
Step 21 - Fitting the Skid Plate in the AFN Bullbar | Bumper

Installation

Start by fitting the **Front Skid Plate(75)** beneath the **AFN Bullbar | Front Bumper(1)**.

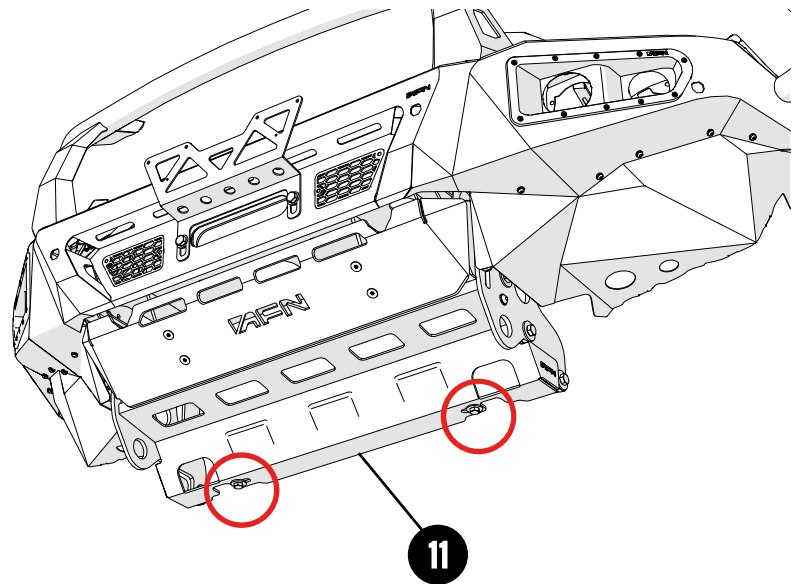
Use 4x Bolts **M8x25(23)**.

Give the final torque.



Once that is done, it's time to fully tight the 2x bolts on the **Lower Skid Plate(11)**.

Give the final torque.



Finally, fit back both **OEM* Plastic Cover** and **OEM* Air Entrance**, that were previously removed.

Reuse all the 10x **OEM*** plastic pins.



Step 22 - Final Result

Your new **AFN Bullbar | Front Bumper** is now installed on your **Isuzu D-MAX!**

Have Fun!



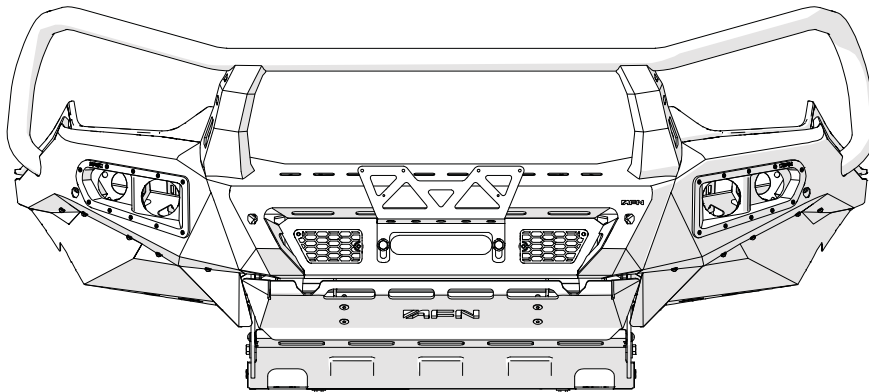
Reminder !

Before operating a vehicle fitted with an **AFN Front Bumper | Bullbar**:

- Make sure all fittings are tightened
- Check winch operation (if installed)
- Check all electrical wiring attached to lights and parking sensors (if installed)

Maintenance | Care

Periodically check and tighten all nuts. Stripped, fractured or bent bolts or nuts need to be replaced.





3 D-MAX CATALOGUE

AFN 4x4 Accessories is becoming a well known brand for its products due to its quality, design and safety which are challenged for thousands of people everyday, worldwide.

In its diversity of products we can include, with all-terrain quality, protection, safety and aesthetic accessories. With that being said, **AFN 4x4** has some other accessories that every offroad passionate would like to have, such as **Body Protections, Underbody Protections, Light Holders, Storage** (Wheel Supports and Jerry-can carriers) and others related to the **Aesthetics**.

We have some 4x4 accessories that combine with the original model lines that if you take a closer look you will see that they don't appear to be an accessory, but a must-have.

Please be in mind that some accessories are available only to some models.
 Feel free to check all the products that may interest you in our website at: www.afn.pt



Ref.: 48002668 - Bull Bar w/ Provision for OEM Fog light and AFN indicator



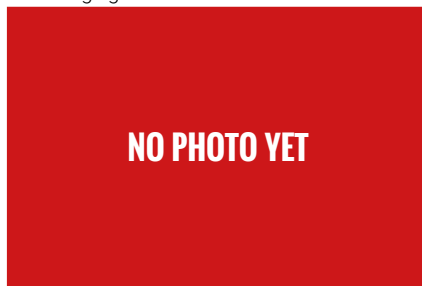
Ref.: 48002772 - Bumper w/ Provision for OEM Fog light and indicator



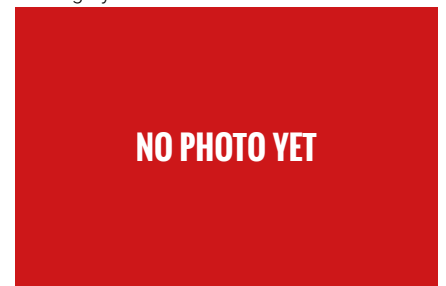
Ref.: 48002768 - Rear Bumper for OEM Towing System



Ref.: 48002725 - Bull Bar w/ Provision for OEM Fog light and indicator



Ref.: 48002725 - Bumper w/ Provision for OEM Fog light and AFN indicator



Ref.: 48002731 - Rear Bumper w/ trailer Hitch



Ref.: 48002732 - Sump Guard Skid Plate



Ref.: 48002733 - Gearbox Skid Plate



Ref.: 48002734 - Side Bars

4 WARRANTY TERMS

AFN4x4 products are warranted free from defects in materials and workmanship for a period of two (2) years from the date of initial retail purchase. Third-party components are delivered under the original manufacturer warranty.

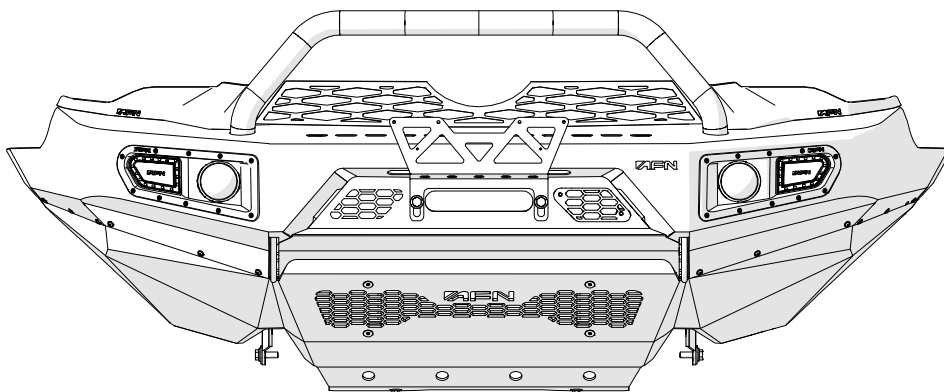
Under the present warranty, **AFN4x4** obligation shall be limited to repairing, replacing or crediting, at its option, any part found to be defective.

AFN4x4 does not warrant or make any representations concerning its goods when:

- a) The products are purchased used, scratch and dent or when the box was opened.
- b) The products are not installed, used, and maintained strictly in accordance with **AFN4x4**'s instructions.
- c) The products are installed in vehicles that are used in competition.
- d) The products are installed in vehicles fitted with aftermarket non-standard tires with diameters in excess of OEM* specifications.
- e) The products are installed in vehicles with engines that have been modified to increase performance.

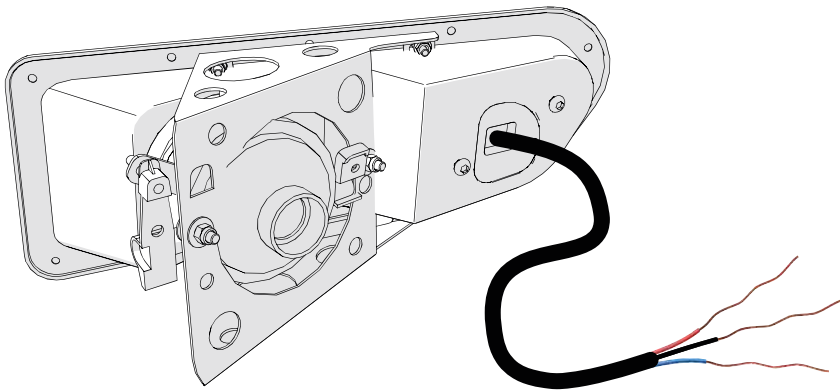
AFN4x4 will not be responsible for goods damaged in transit. If any goods arrive damaged, please contact the **AFN4x4** as soon as possible. **AFN4x4** will assess and may arrange to have the damaged goods returned to a **AFN4x4** Distributor and arrange for a replacement of the goods. Damaged goods must be returned in the condition received by you with all original packaging, accessories and/or manuals. If they are not returned in same condition sent there may be an additional fee charged.

To file a claim under this warranty please contact **AFN4x4** at +351 256 808 300 or via email at geral@afn.pt to request a *Returned Goods Authorization (RGA)* number and instructions for returning the defective component.



AFN LED LIGHTS 48002698_48002718_48002724

5 ATTACHMENTS



Electrical Fittings:

- The **Red One** / **Brown One** must be connected to the Positive of the OEM Day Running Light.
- The **Black One** must be connected to the Neutral cable of the vehicle.
- The **Blue One** must be connected to the Positive of the OEM blinkers.

Test if everything is correctly functioning.

DON'T JUST SETTLE FOR THE SAME OLD BULL



WWW.AFN.PT | SALES@AFN.PT | FACEBOOK.COM/AFN4X4

WELCOME TO THE AFN FAMILY



União Europeia
Fundo Europeu de Desenvolvimento Regional

