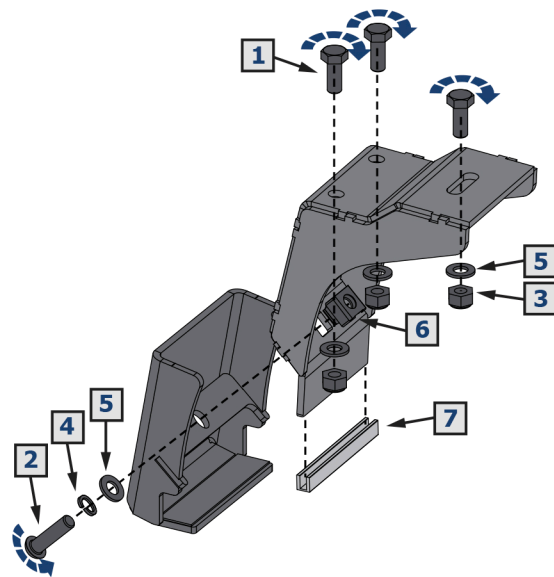
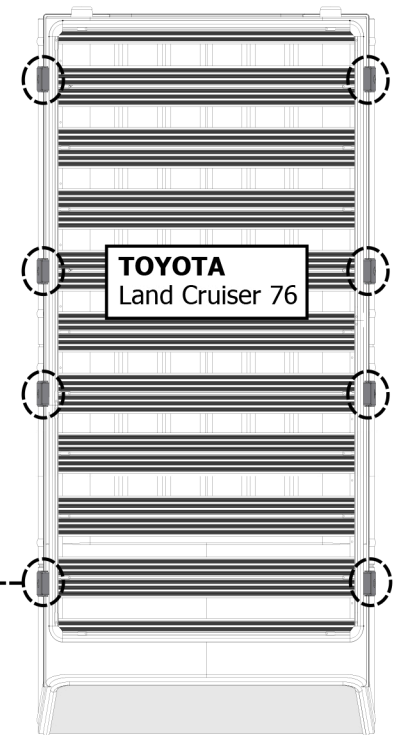
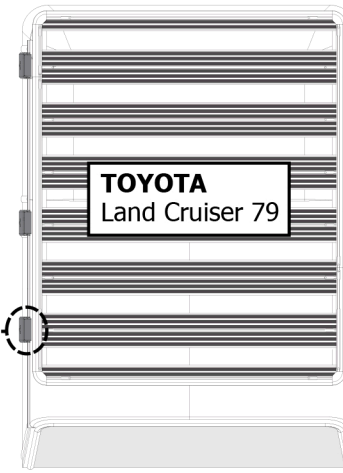
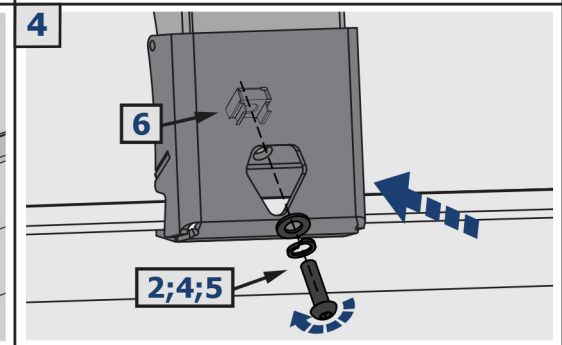
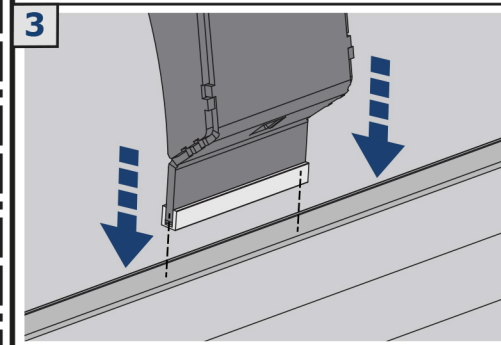
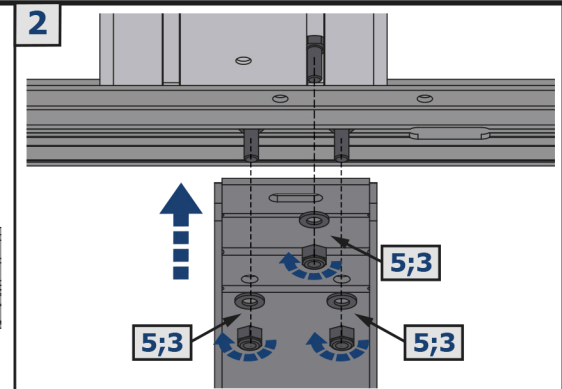
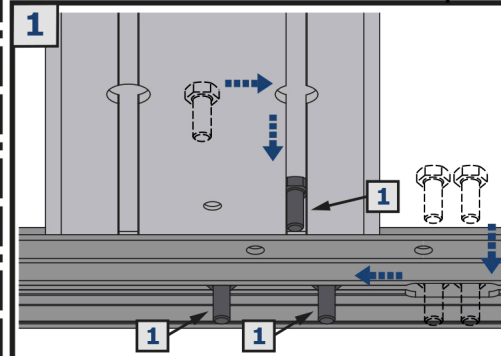


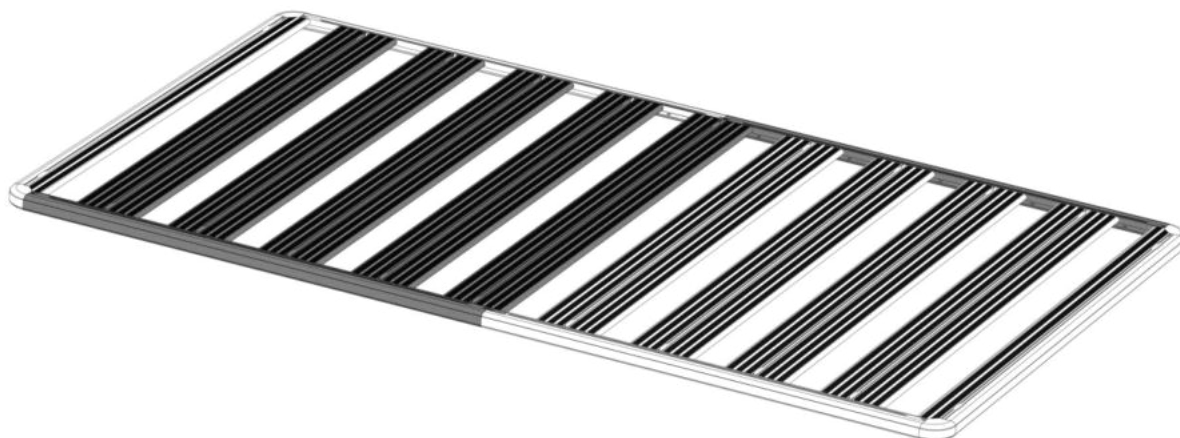
GUTTER MOUNTS
 for Toyota Land Cruiser 76
 (1984-)
 for Toyota Land Cruiser 79
 double door (1984-)

2M.5702.K
 2M.5702.1; 2M.5702.2



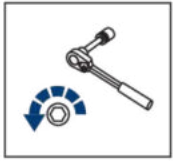
1		2		3		4		5		6		7	
	M8x20		M8x20		M8		Ø8		Ø8		M8		Ø8
	x6		x2		x6		x2		x8		x2		x2





**2M.0006.1 ; 2M.0006.2 ; 2M.0006.3 ;
2M.0006.4 ; 2M.0006.5**





Regular fasteners



Regular fasteners



Screw a several turns



Loosen bolts



Movement Arrow



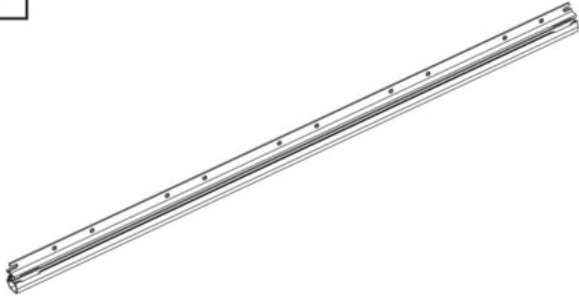
Location/Position Arrow



Screw Arrow



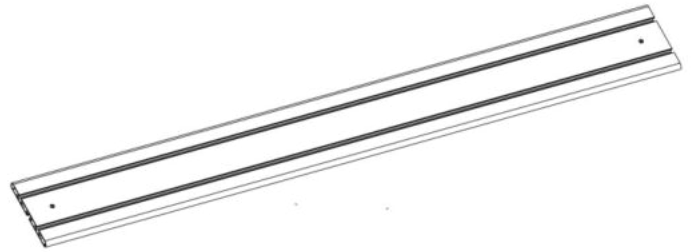
1



1200 mm

x2

2



x5

5



M8x16

x21

6



M8

x21

7



Ø8

x25

8



M8

x2

9



Ø8

x2

10



M8x20

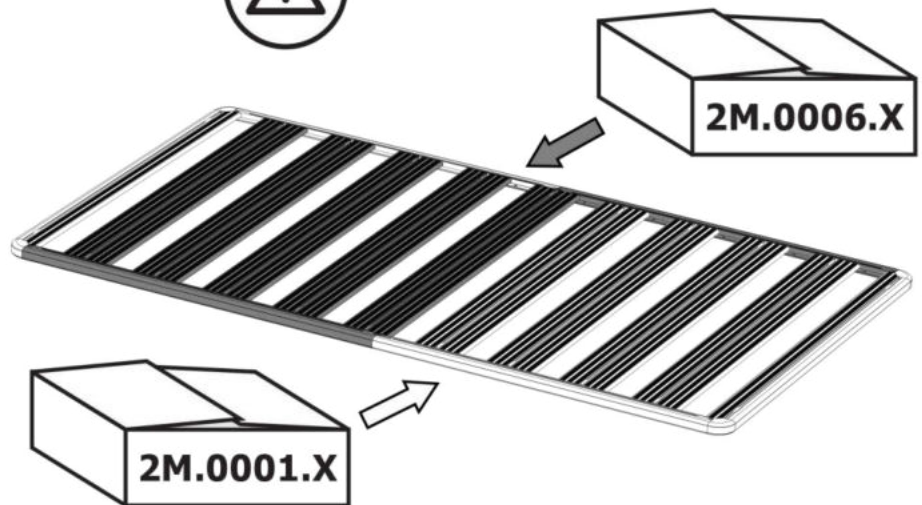
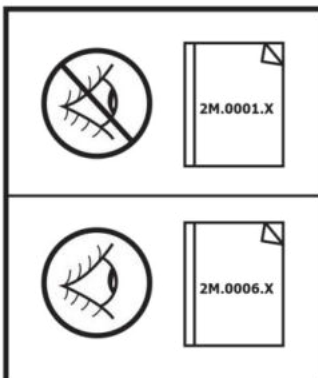
x4

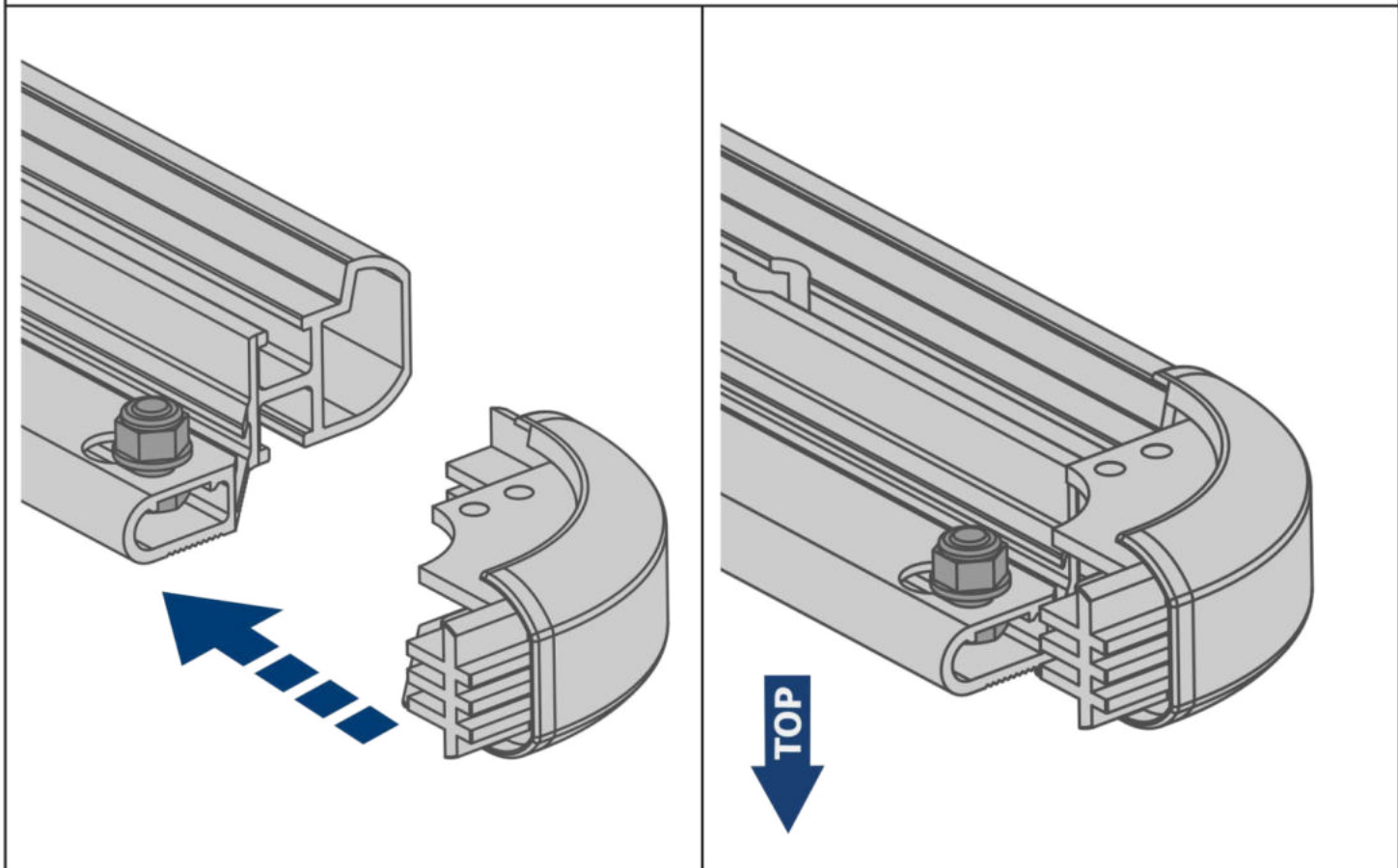
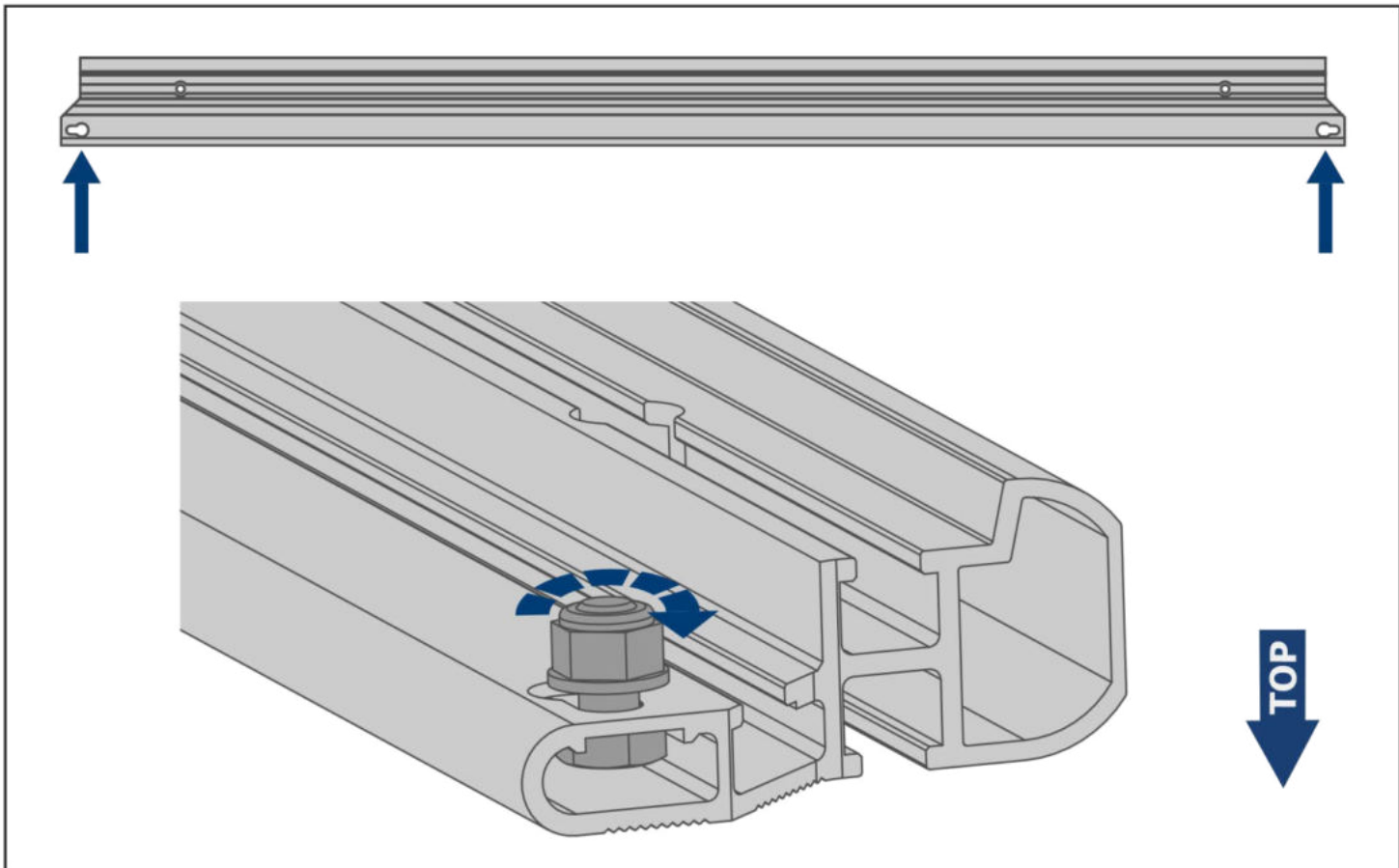
11

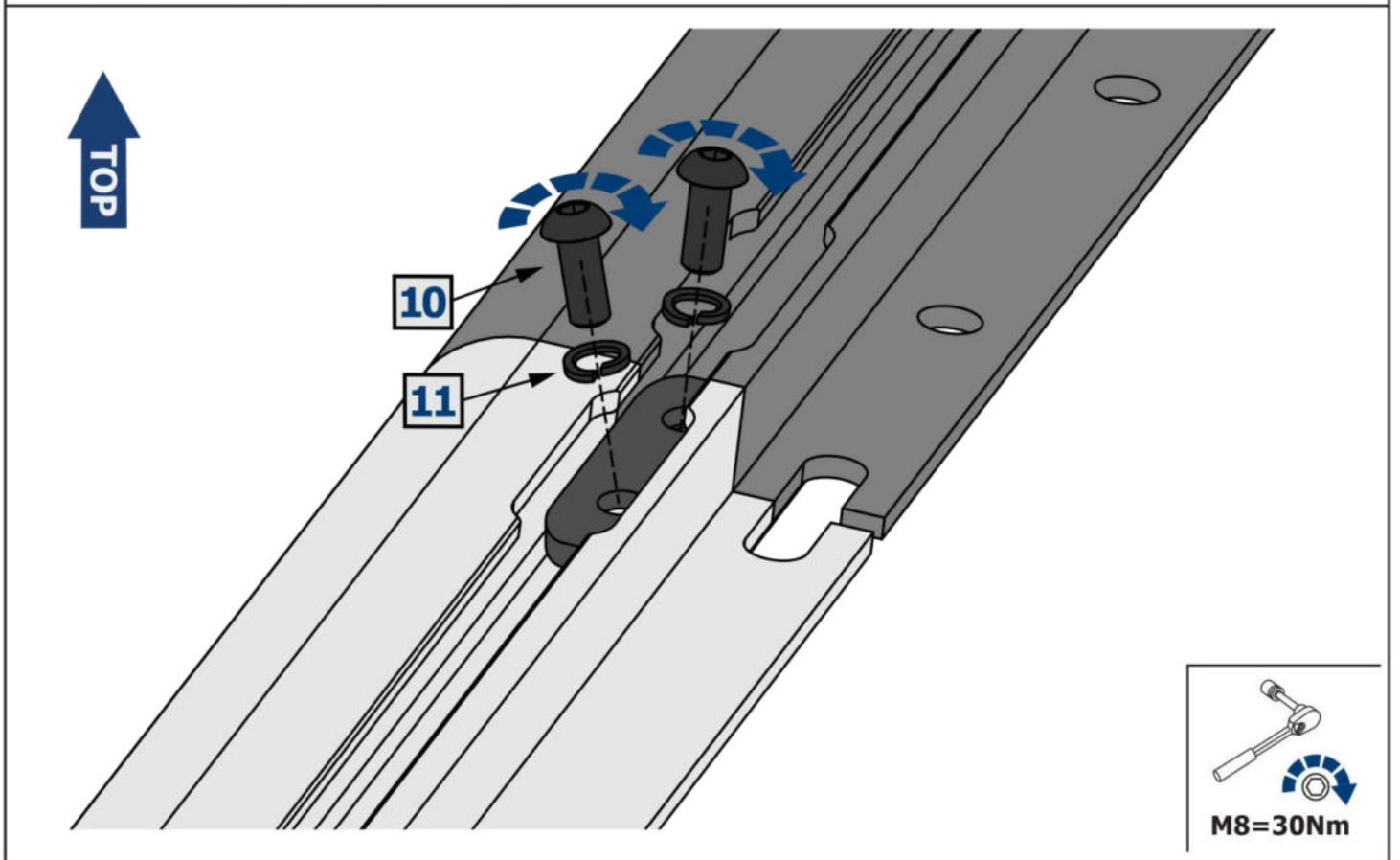
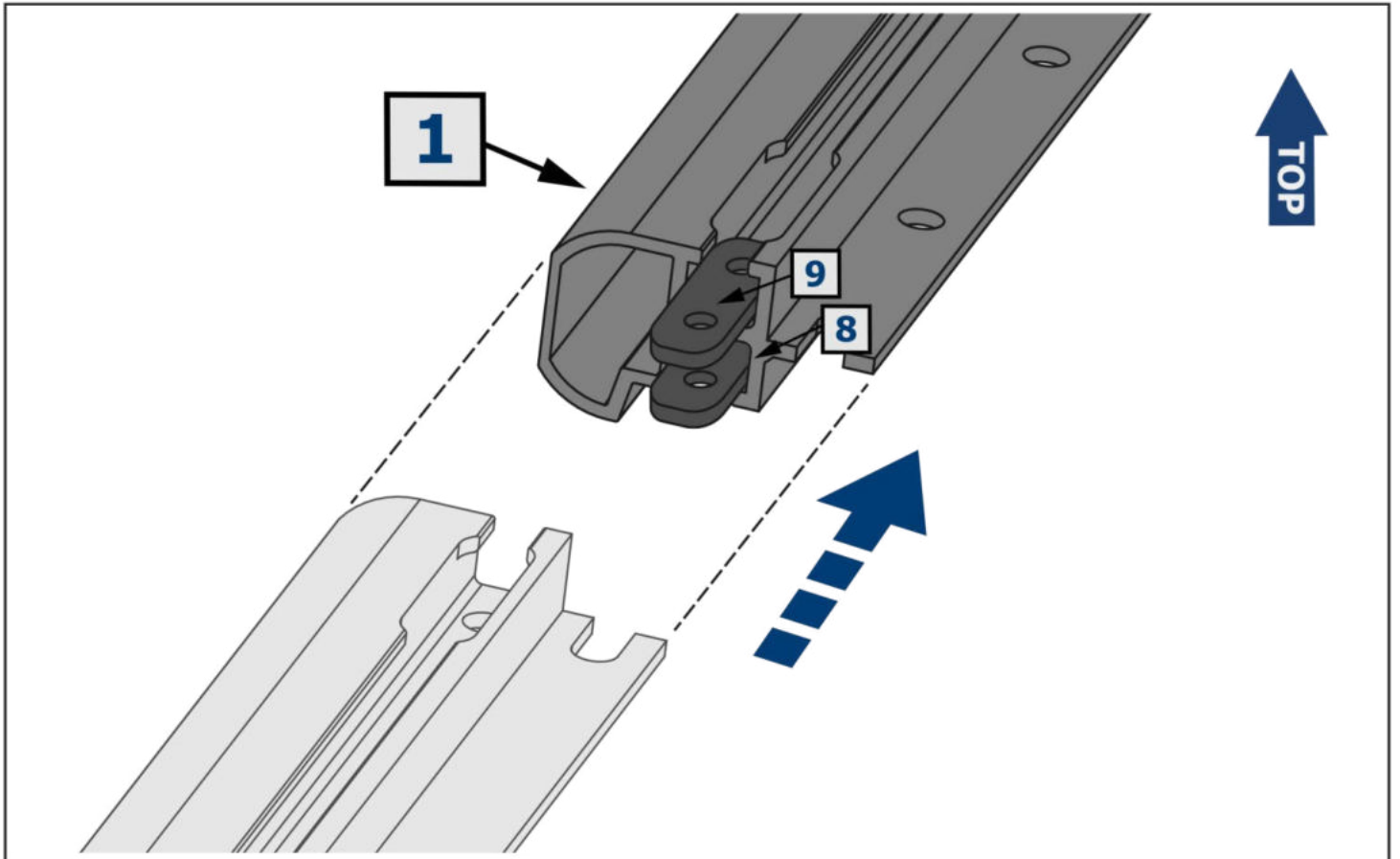


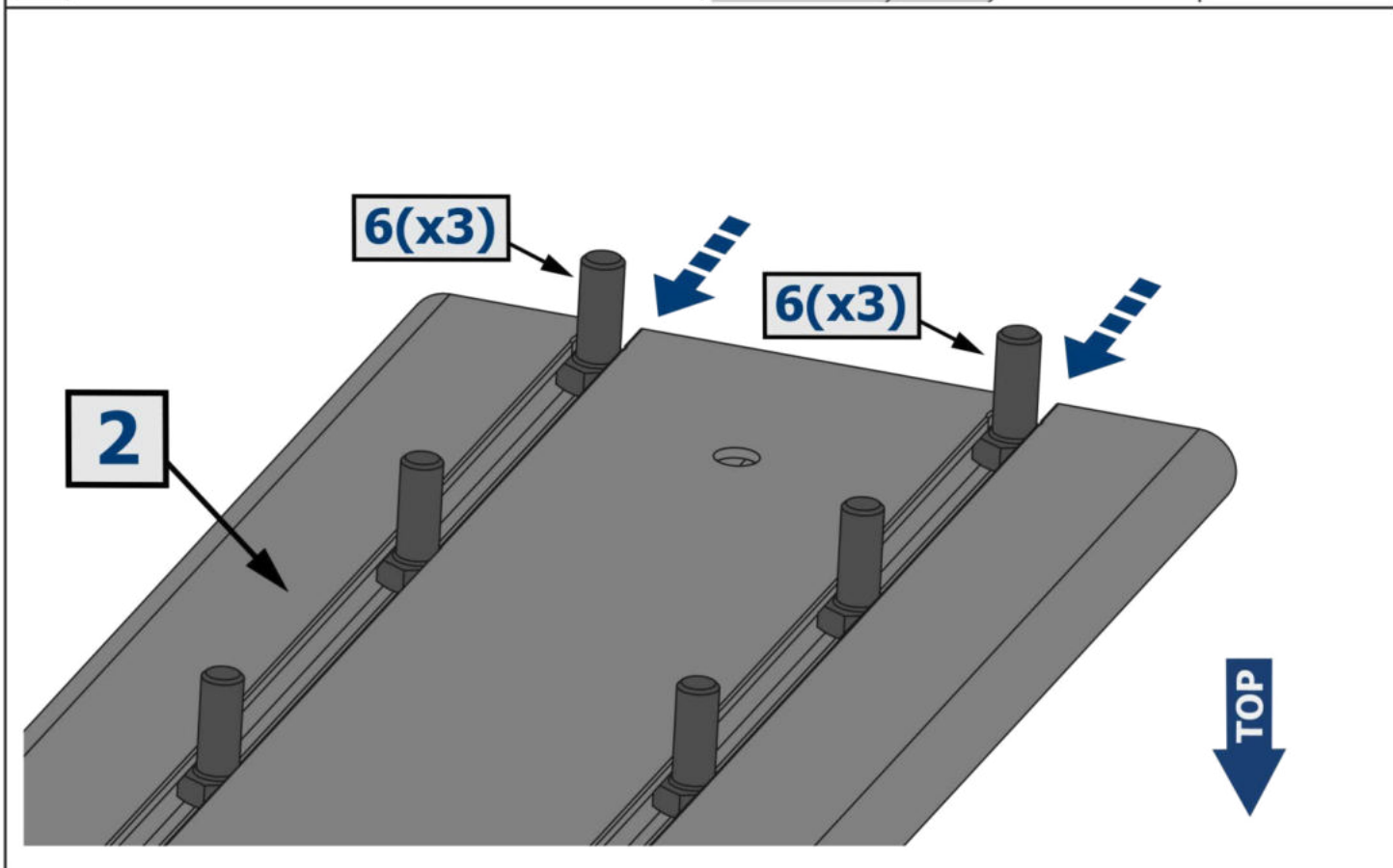
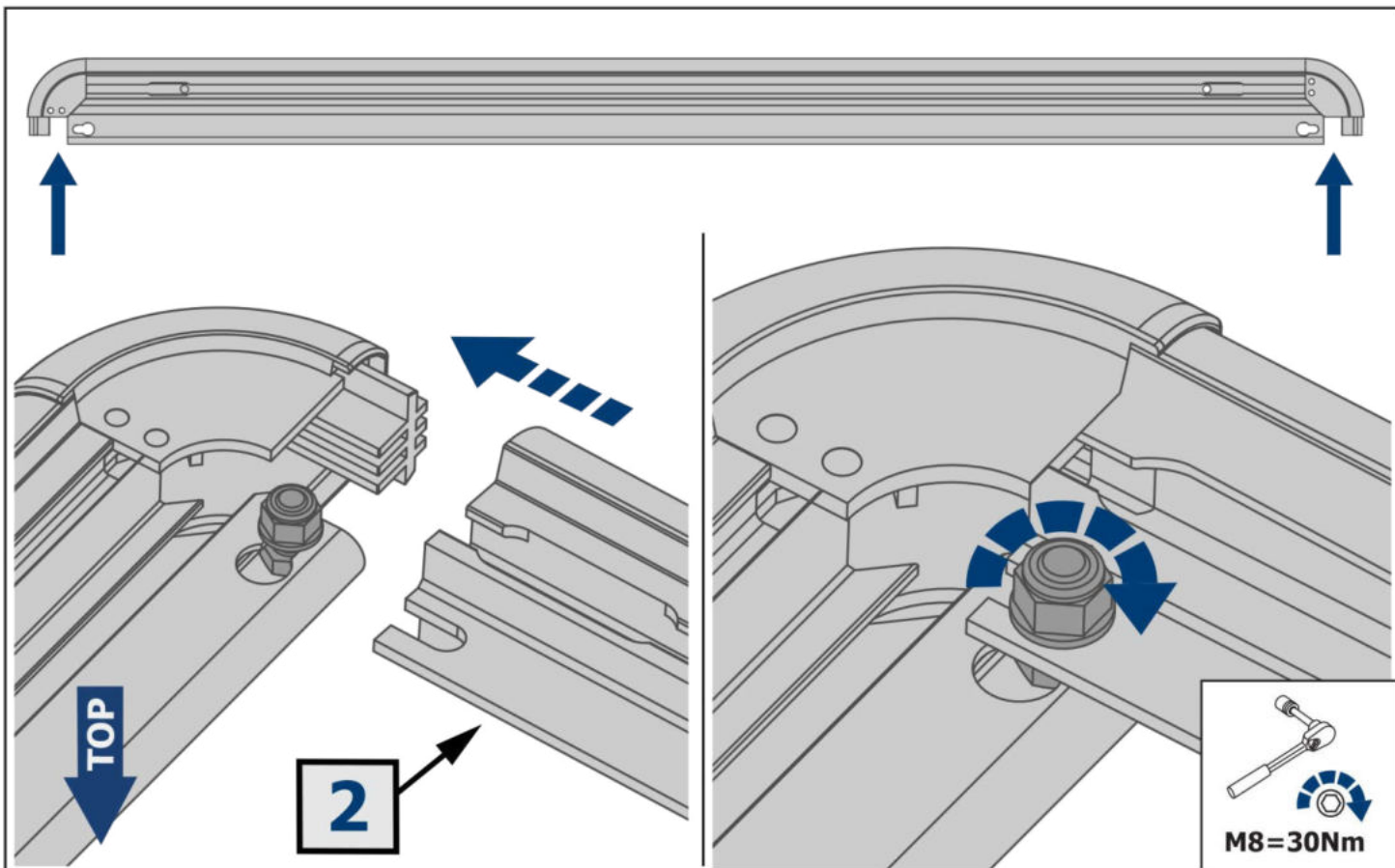
Ø8

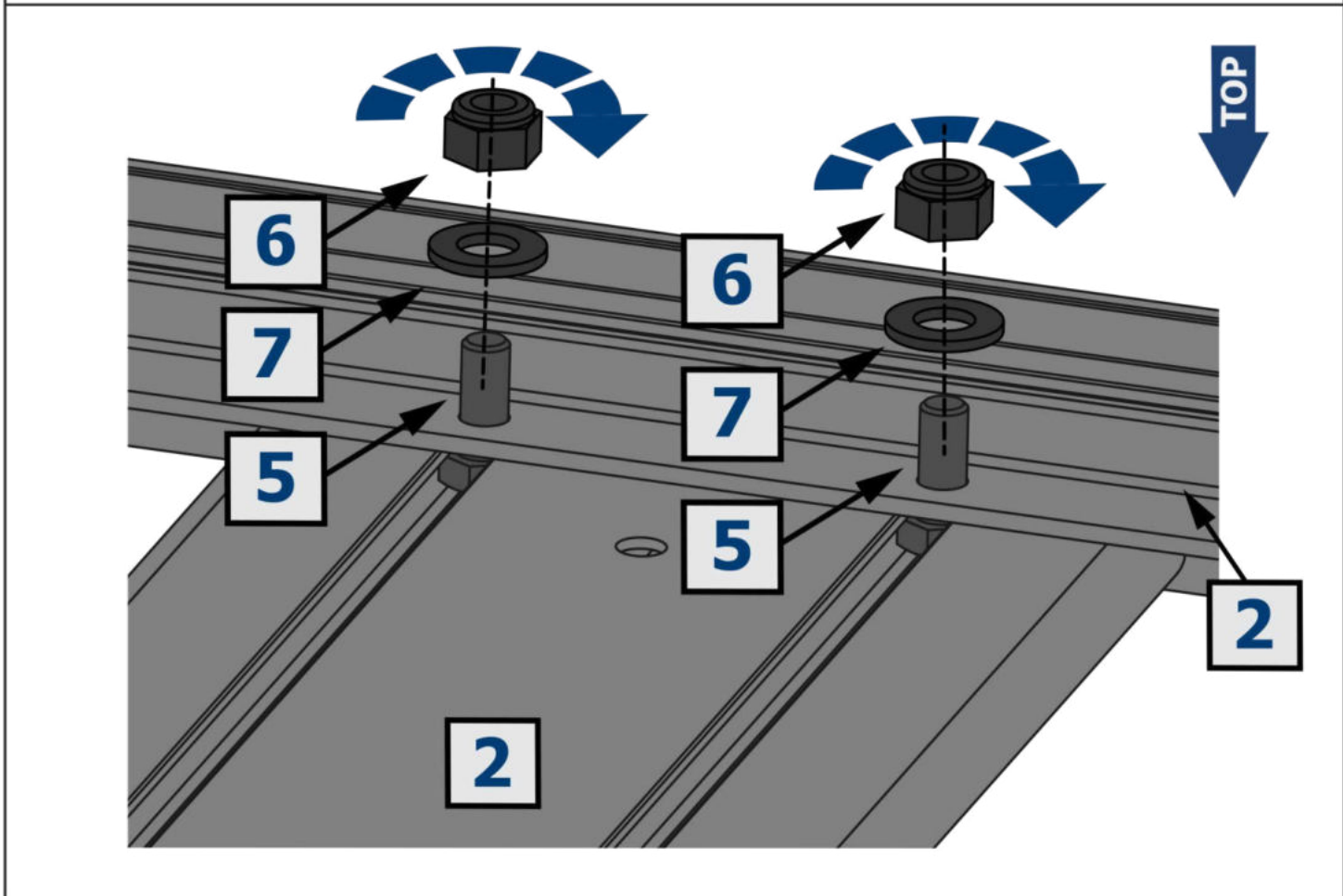
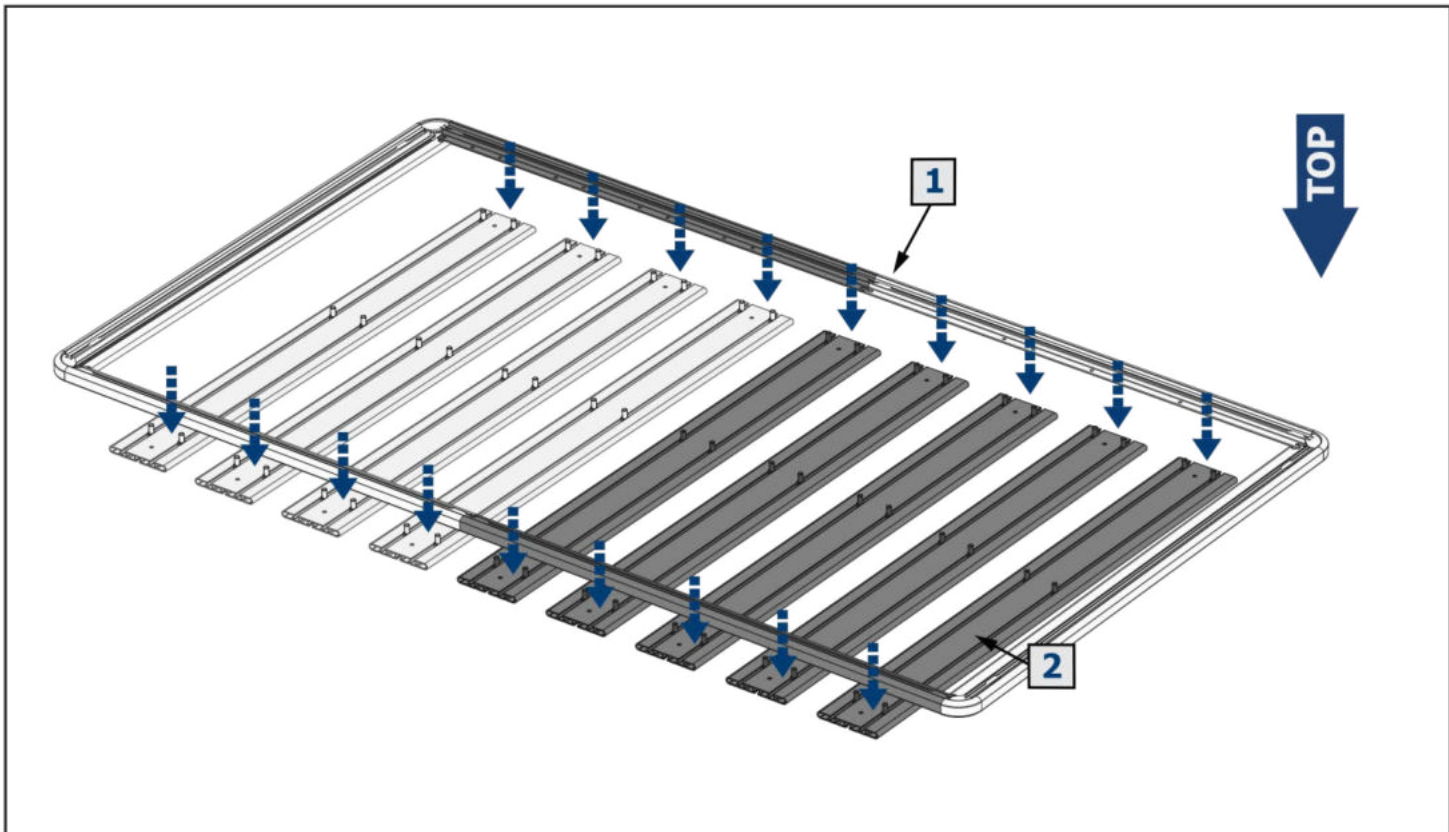
x4

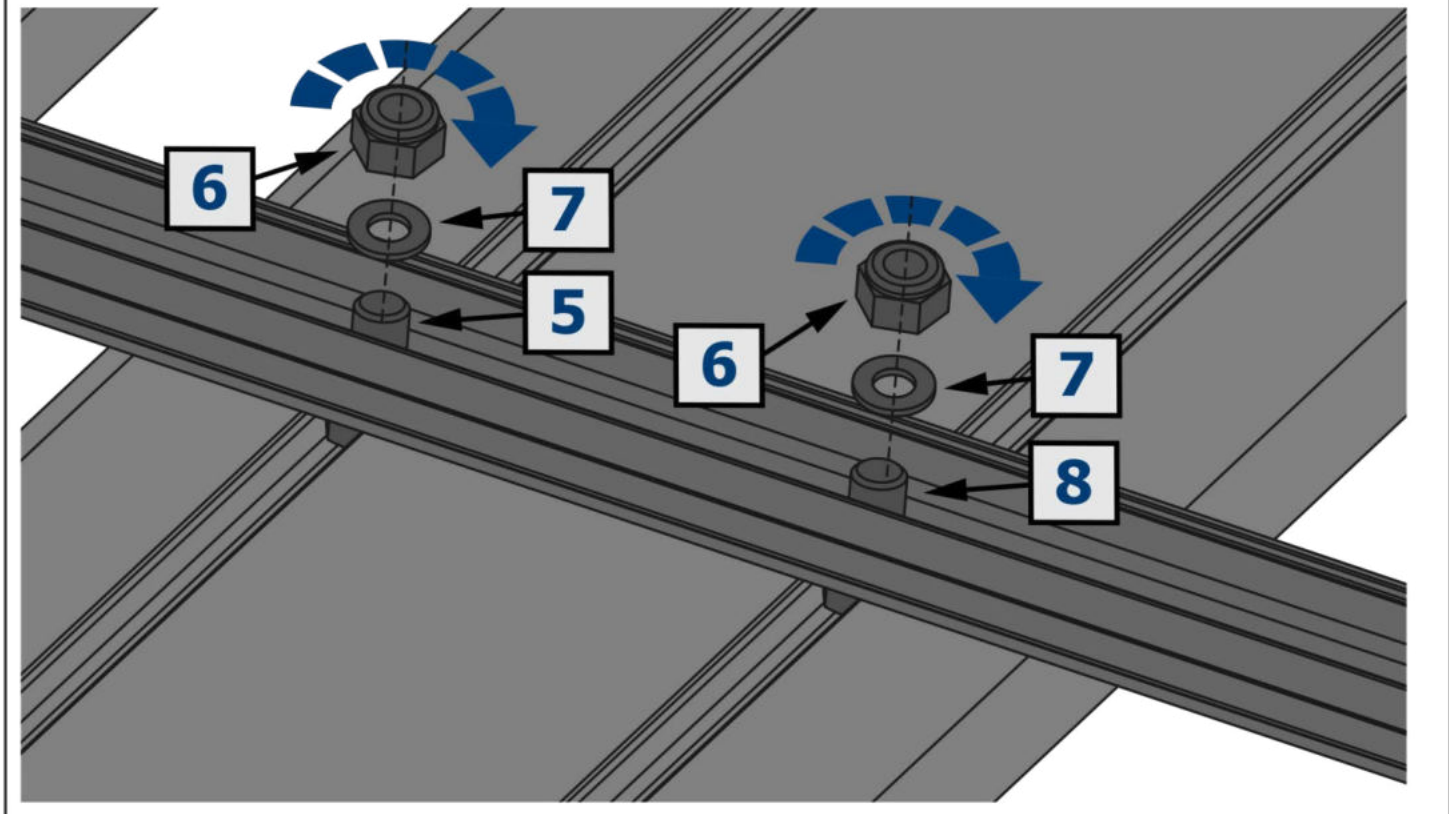
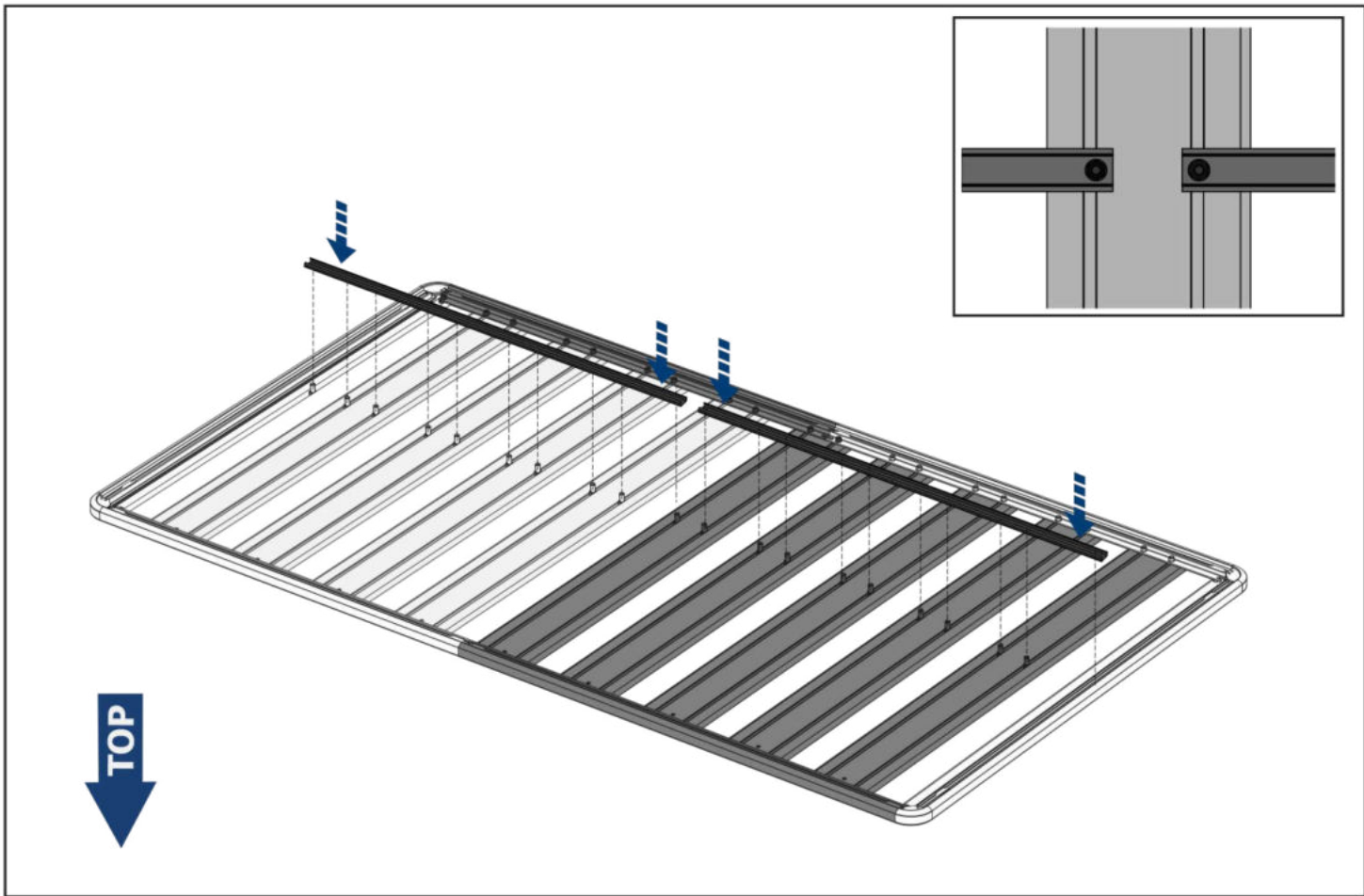


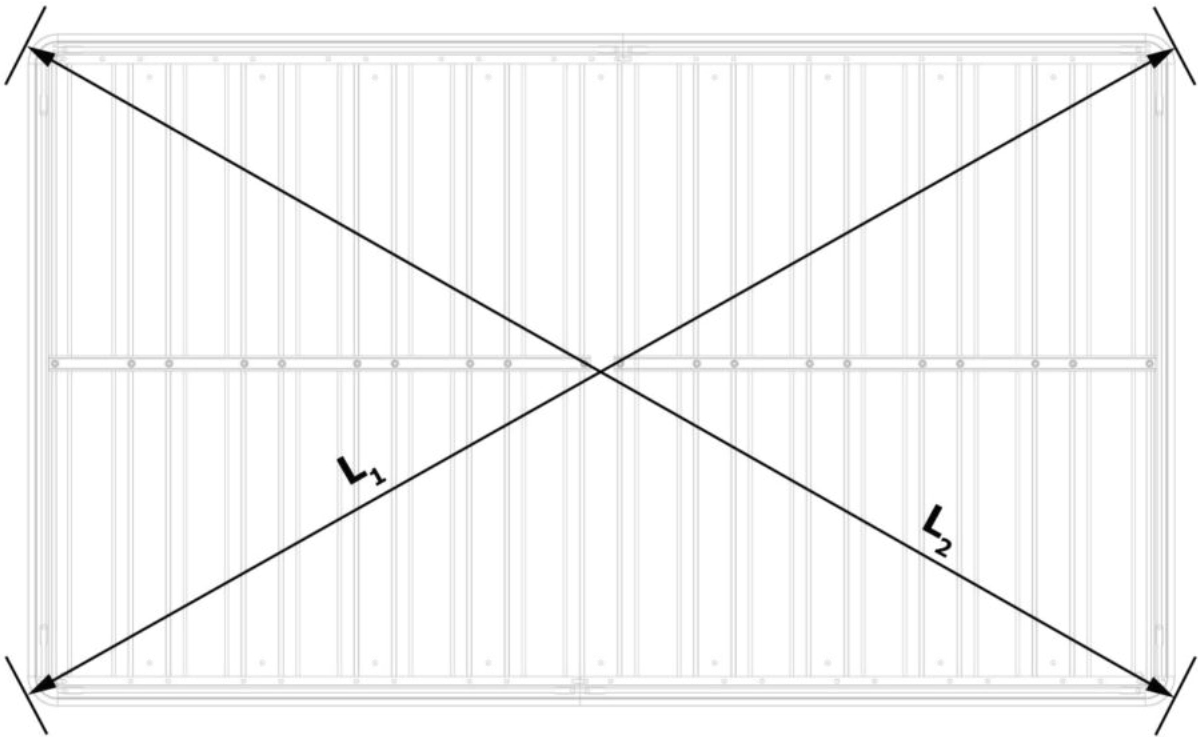
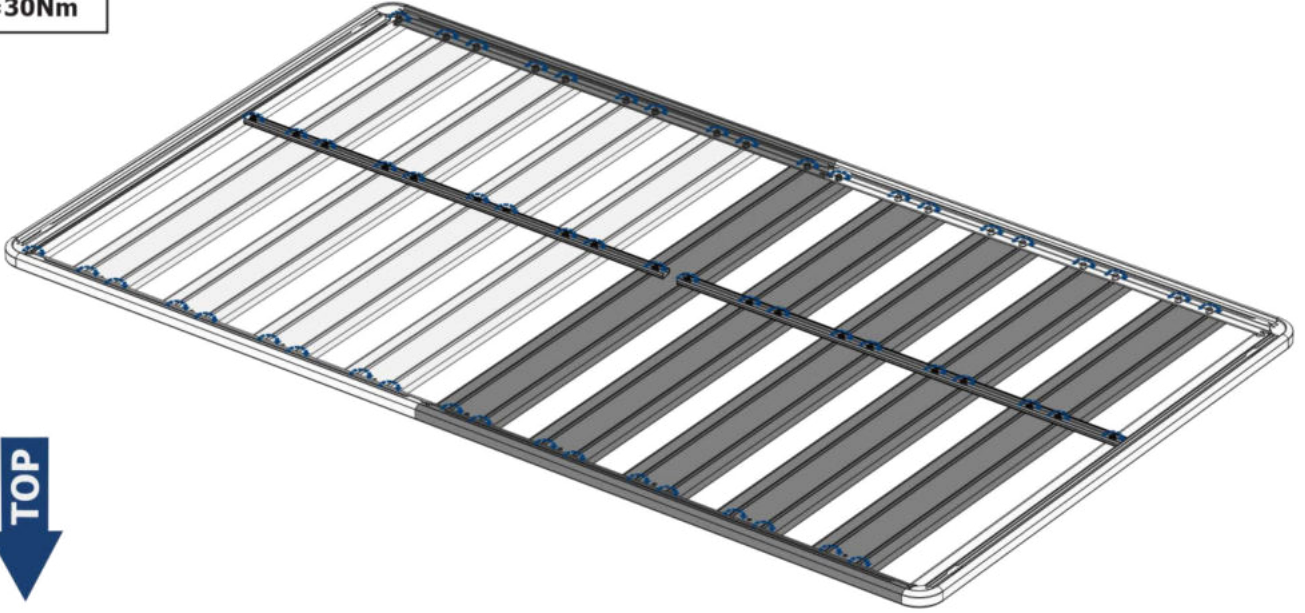












$$L_1 = L_2 \pm 1\text{mm}$$