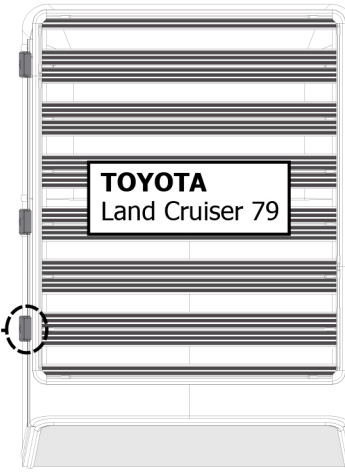
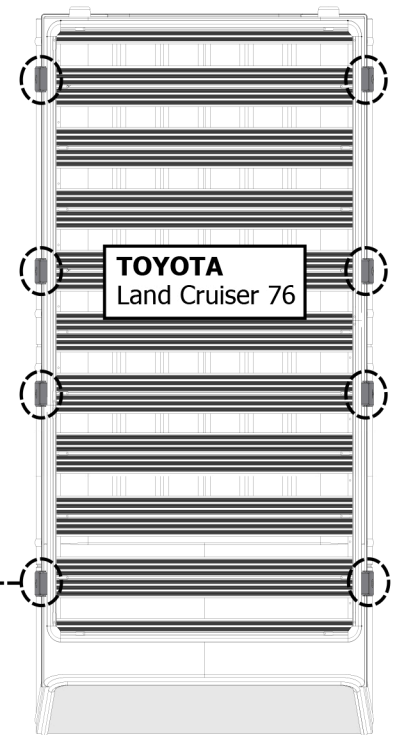


GUTTER MOUNTS
for Toyota Land Cruiser 76
(1984-)
for Toyota Land Cruiser 79
double door (1984-)

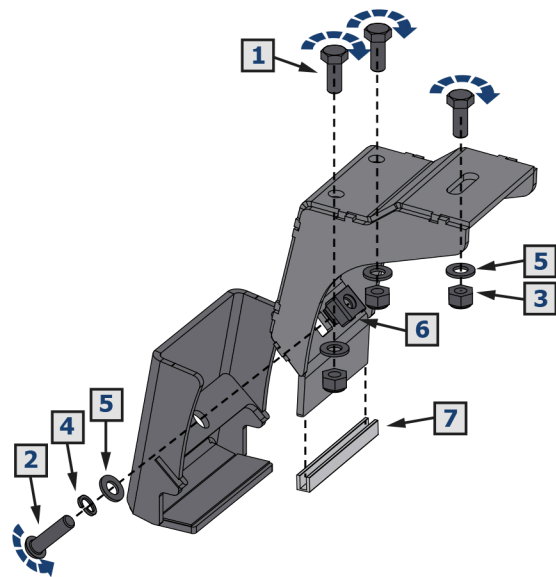
2M.5702.K
2M.5702.1; 2M.5702.2



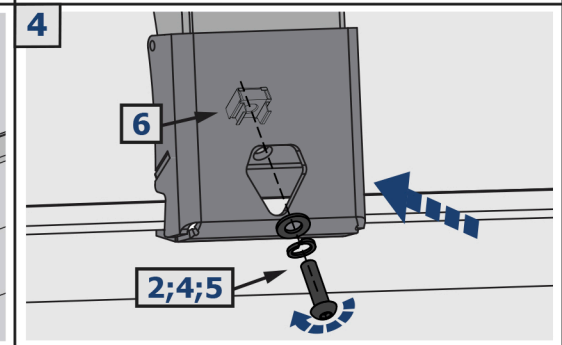
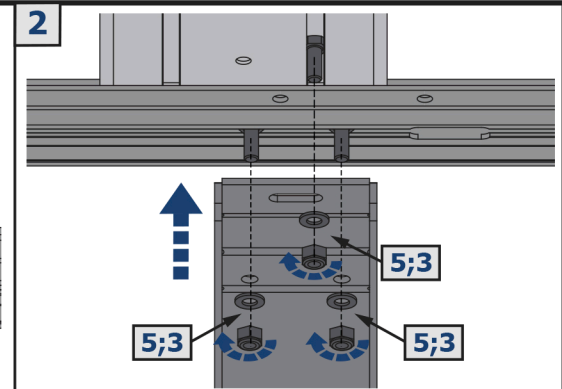
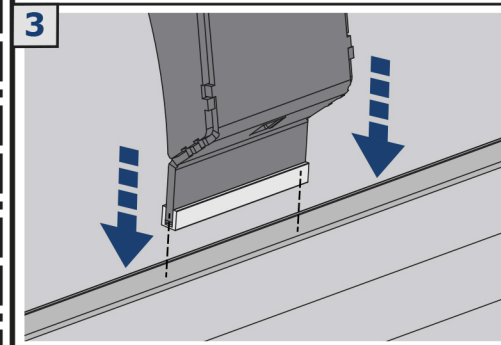
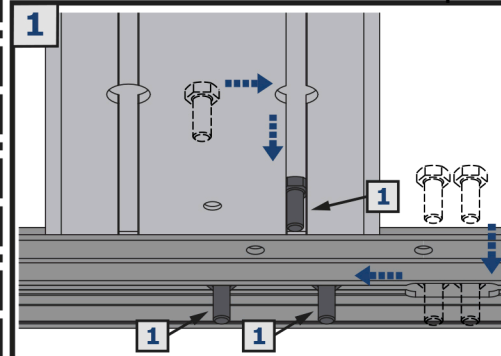
TOYOTA
Land Cruiser 79

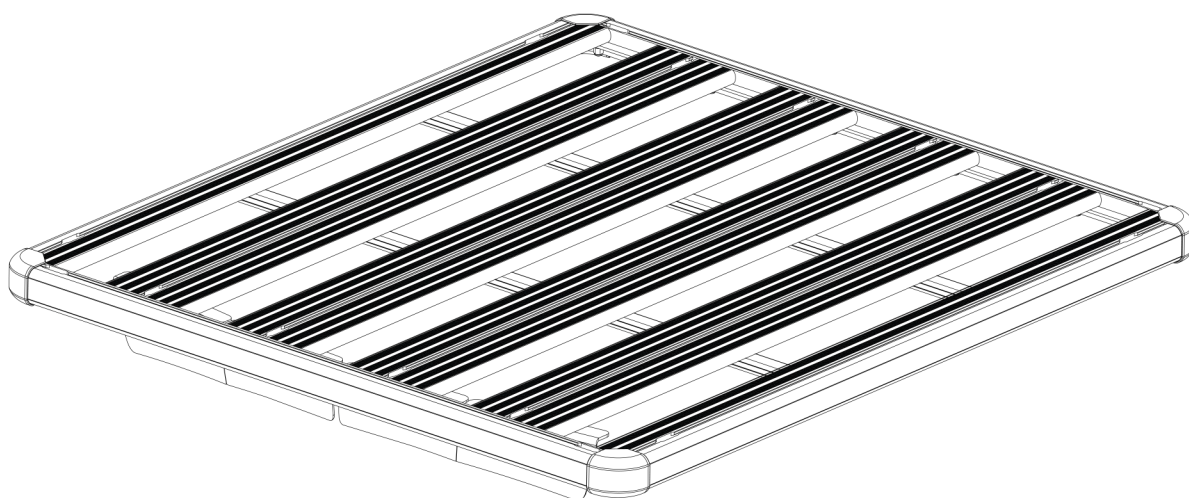


TOYOTA
Land Cruiser 76



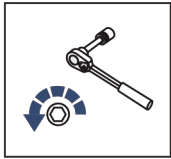
1		2		3		4		5		6		7	
	x6		x2		x6		x2		x8		x2		x2



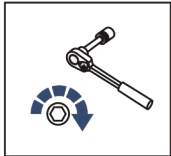


**2M.0001.1 ; 2M.0001.2 ; 2M.0001.3 ;
2M.0001.4 ; 2M.0001.5**

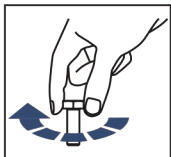




Regular fasteners



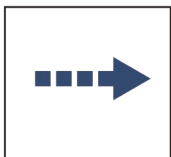
Regular fasteners



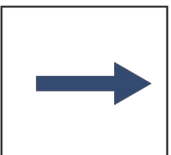
Screw a several turns



Loosen bolts



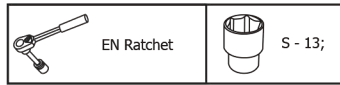
Movement Arrow

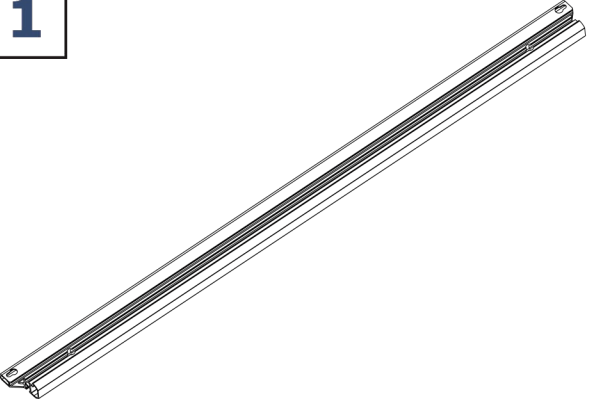
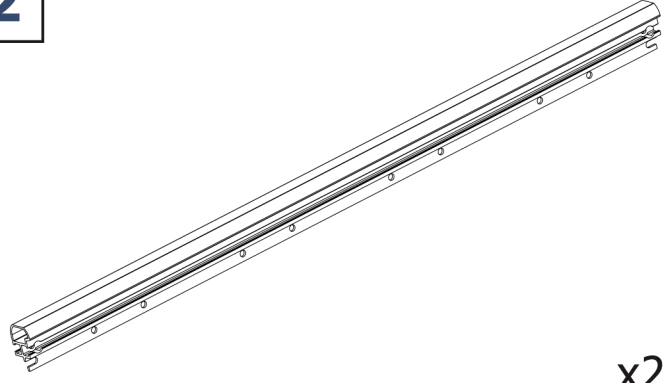
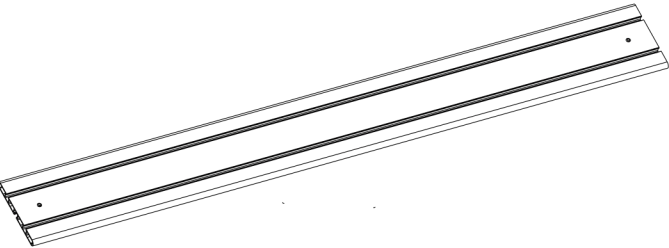
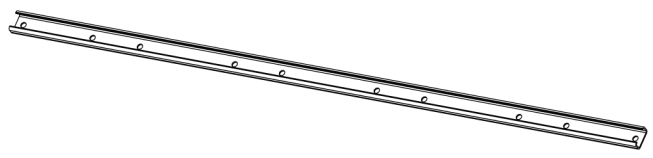
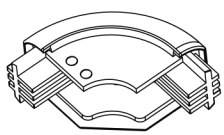
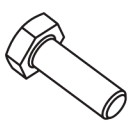
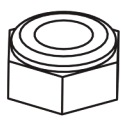

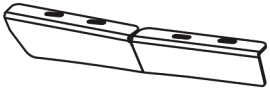
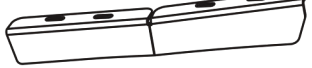




Location/Position Arrow



Screw Arrow



<p>1</p>  <p>x2</p>	<p>2</p>  <p>x2</p>		
<p>3</p>  <p>x4</p>	<p>4</p>  <p>x2</p>		
<p>5</p>  <p>x6</p>	<p>6</p>  <p>M8x16 x50</p>	<p>7</p>  <p>M8 x50</p>	<p>8</p>  <p>Ø8 x50</p>
<p>9</p>  <p>x1</p>	<p>10</p>  <p>x1</p>	<p>11</p>  <p>M8 x2</p>	<p>12</p>  <p>M6 x2</p>

