




AIR-CAMPING SERIES INSTRUCTIONS

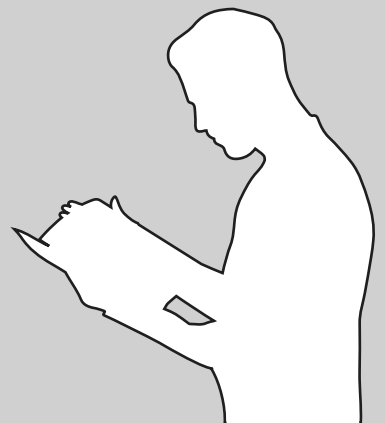
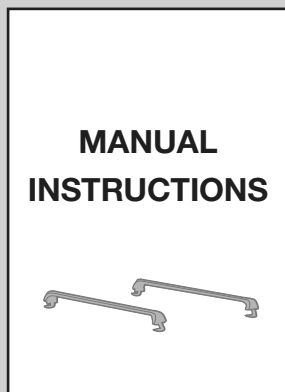
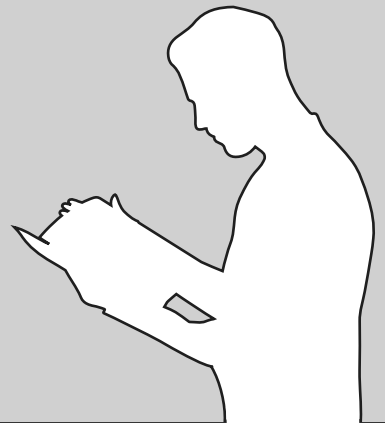
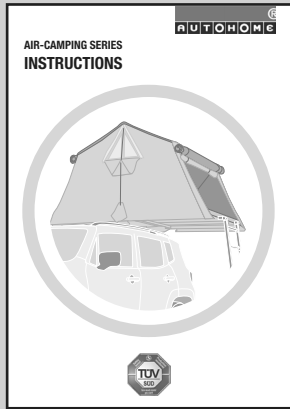


WARNINGS

Avvertenze • Avertissement • Warnungen



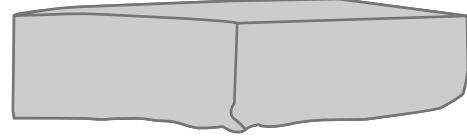
MODELS <i>Modelle Modèles Modelli</i>	TENT WEIGHT <i>Zeltgewicht Poids de la tente Peso della tenda</i>	MAXIMUM OCCUPANTS WEIGHT <i>Maximales Bewohnergewicht Poids Maximum des occupants Peso massimo degli occupanti</i>	MEASURES WHEN CLOSE <i>Abmessungen bei geschlossenem Zelt Dimensions (tente fermée) Misure chiusa</i>	MEASURES WHEN OPEN <i>Abmessungen bei offenem Zelt Dimensions (tente ouverte) Misure aperta</i>
<i>Air-Camping Small</i>	<i>ca. 45 kg</i>	 <i>ca. 180 kg</i>	<i>130x110x35 cm</i>	<i>130x220x125cm</i>
<i>Air-Camping Medium</i>	<i>ca. 54 kg</i>	 <i>ca. 230 kg</i>	<i>160x110x35 cm</i>	<i>160x220x125 cm</i>
<i>Air-Camping Large</i>	<i>ca. 65 kg</i>	 <i>ca. 280 kg</i>	<i>180x110x35 cm</i>	<i>180x220x125 cm</i>



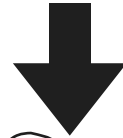
Kg P1



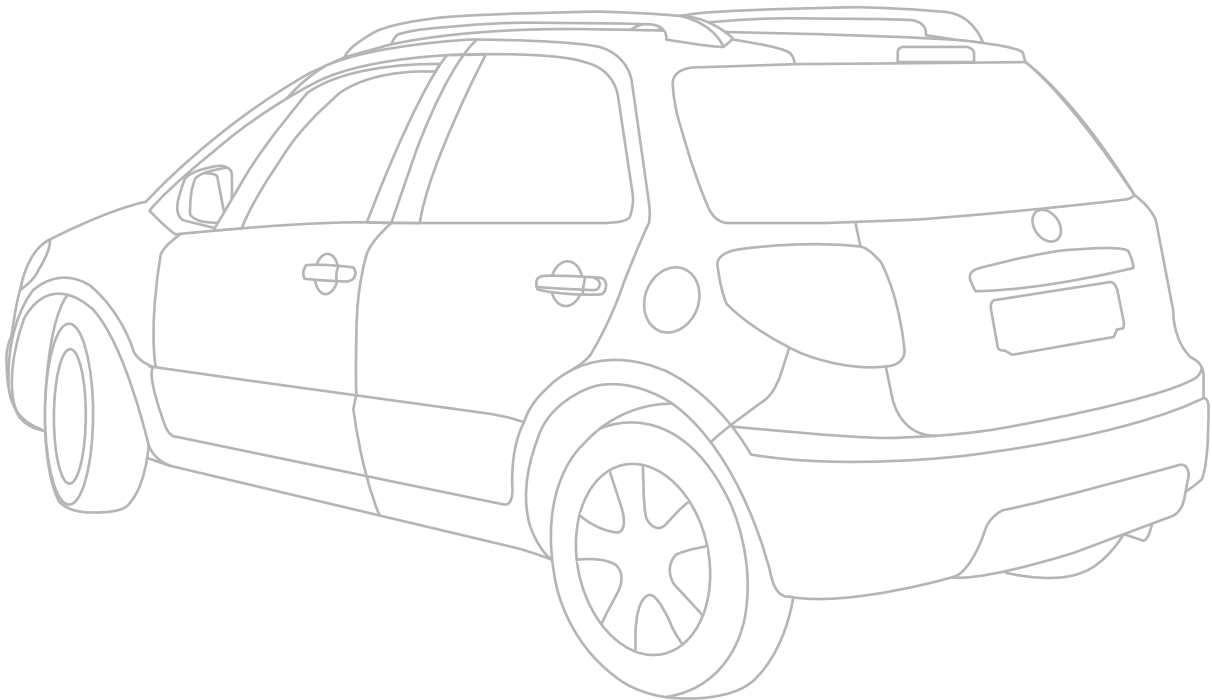
Kg P2

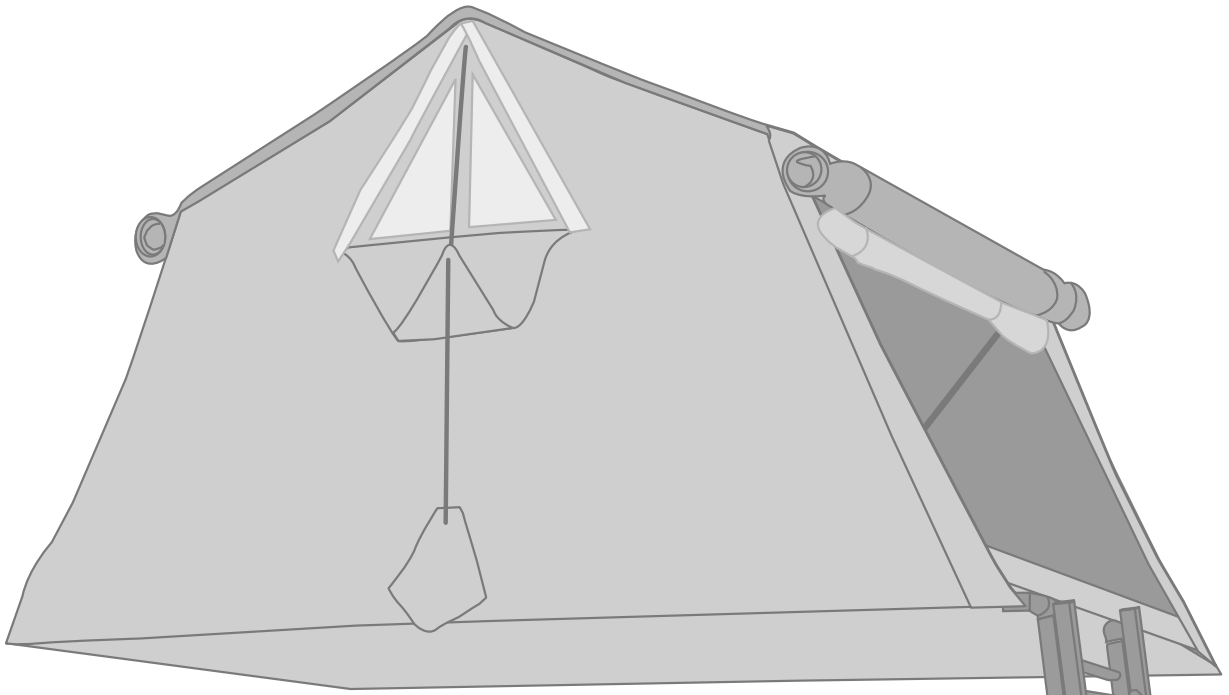


(P1 + P2) ≤ Kg P_{MAX}



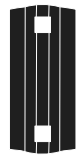
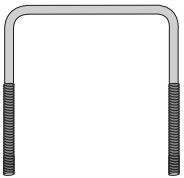
Kg P_{MAX}





UP

UNDER



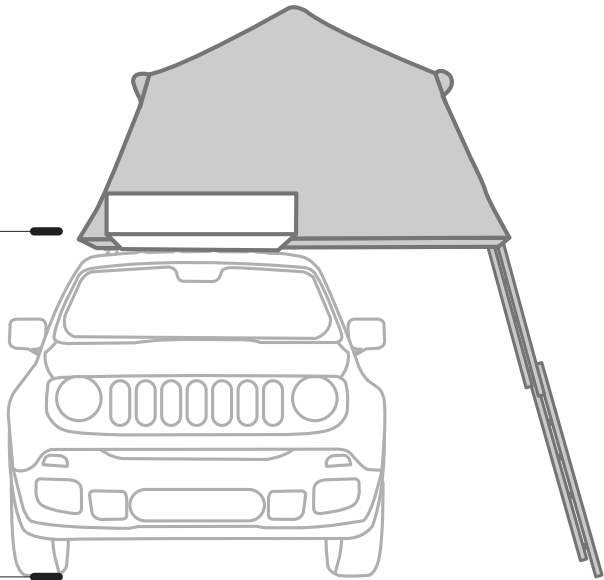
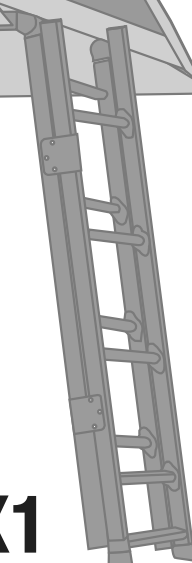
X4

X4

X4

X8

X1



X10



X4

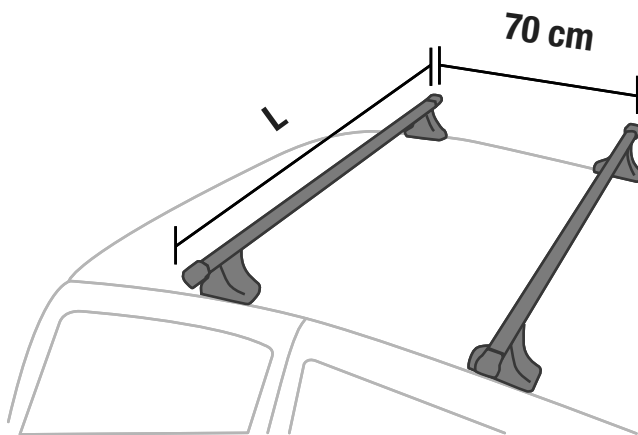
POSITIONING

Posizionamento • Placement • Platzierung

1

Minimum length

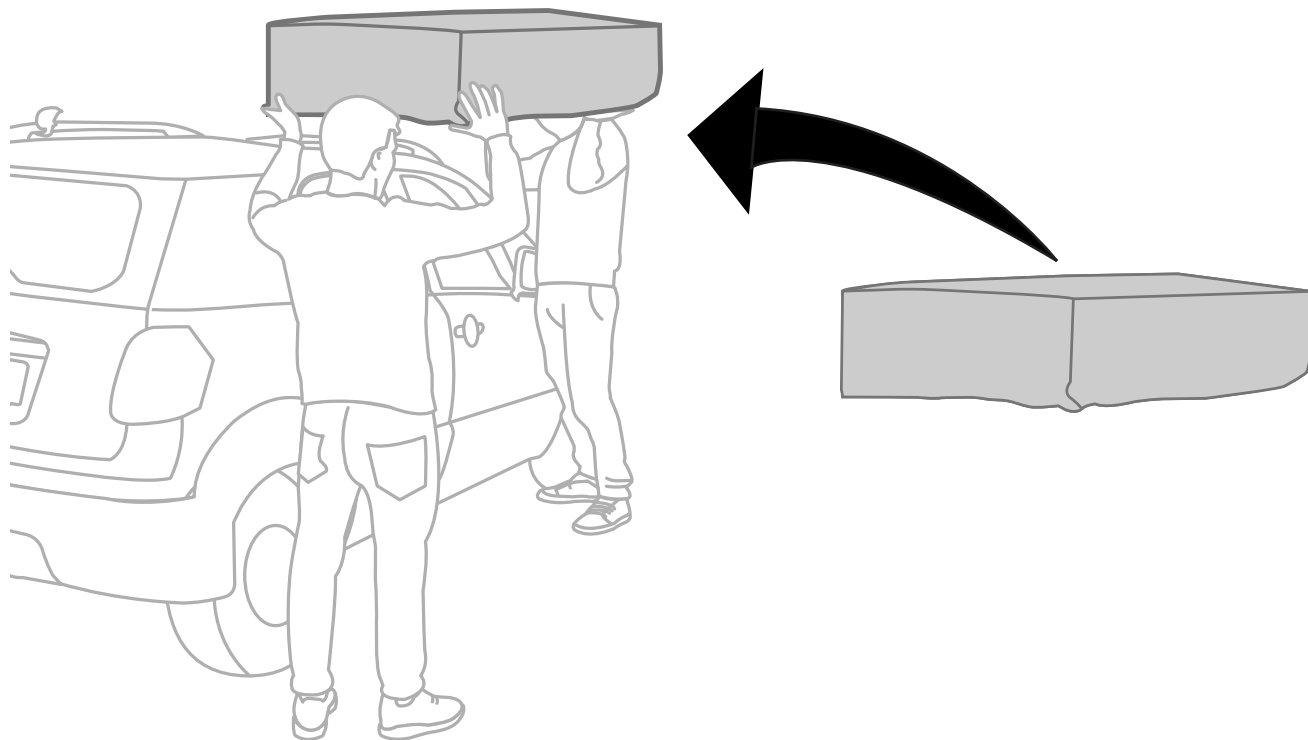
Lunghezza minima • Longueur minimale • Mindestlänge



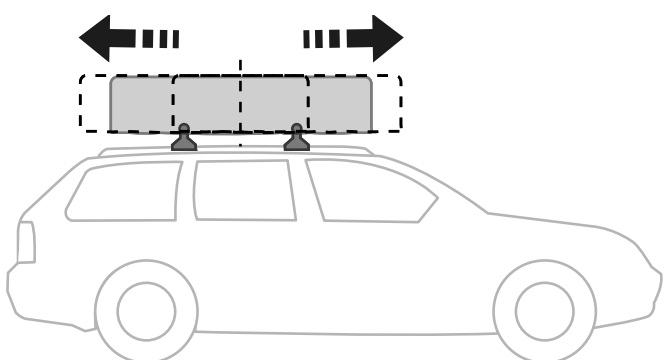
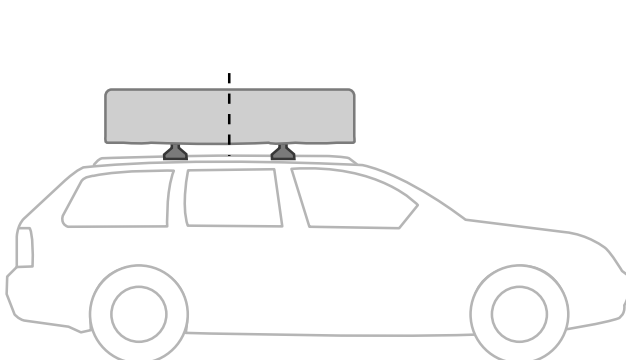
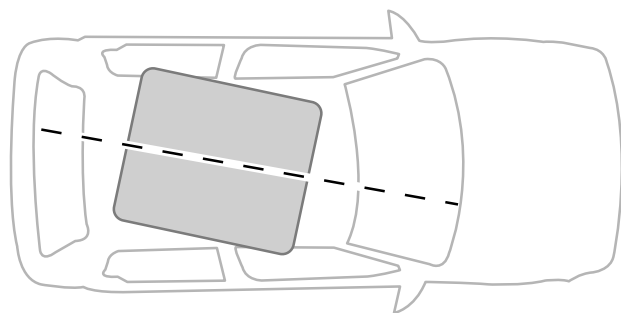
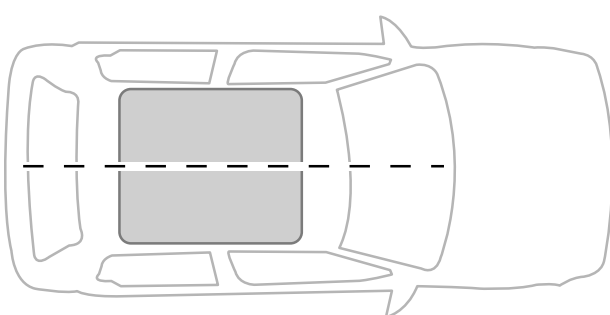
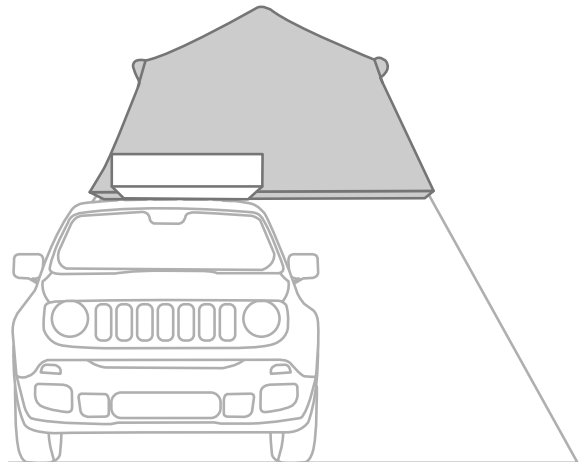
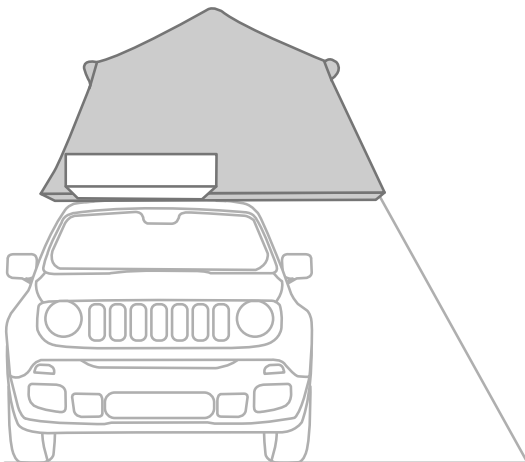
ROOF TENT

L

Air-Camping Small	124 cm
Air-Camping Medium	142 cm
Air-Camping Large	160 cm



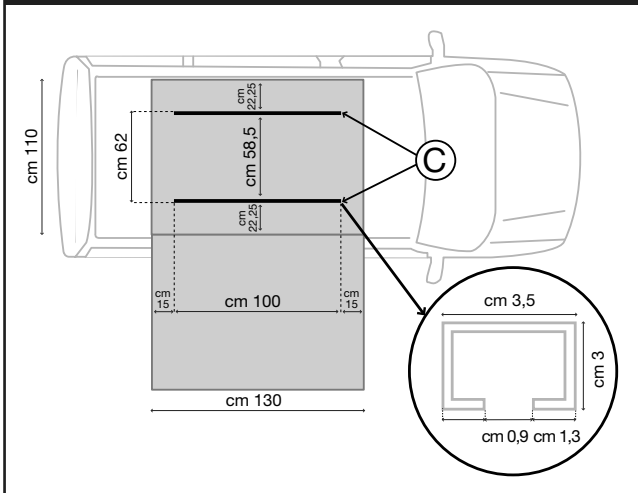
2



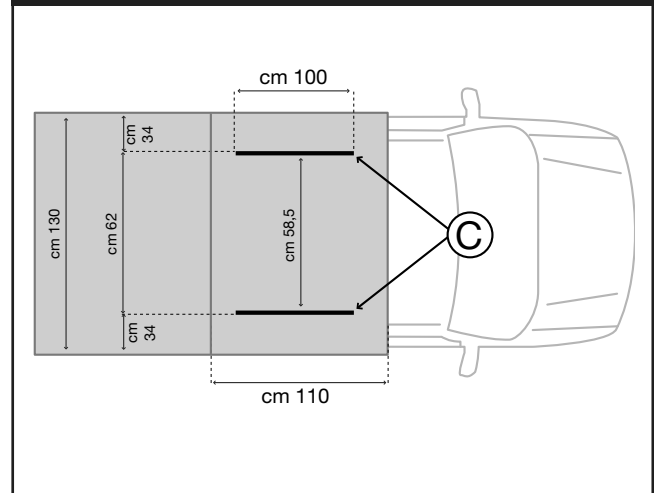
FIXING

Fissaggio • Fixation • Befestigung

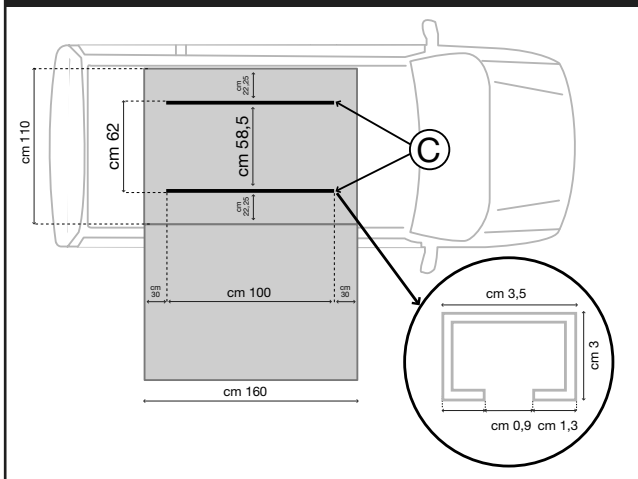
STANDARD FIXING OVERLAND SMALL



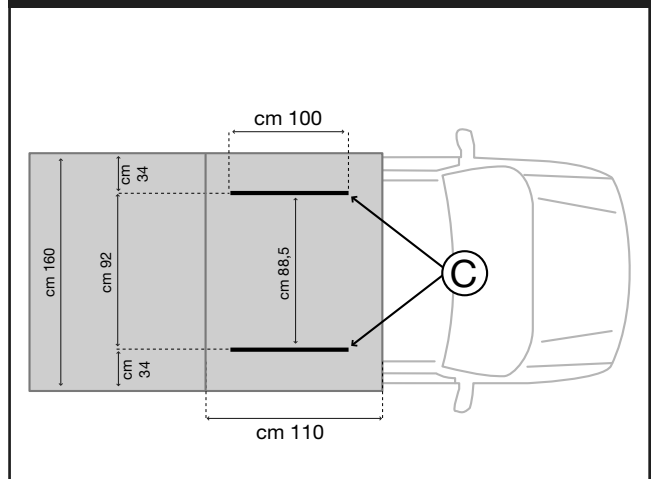
EXPLORER FIXING OVERLAND SMALL



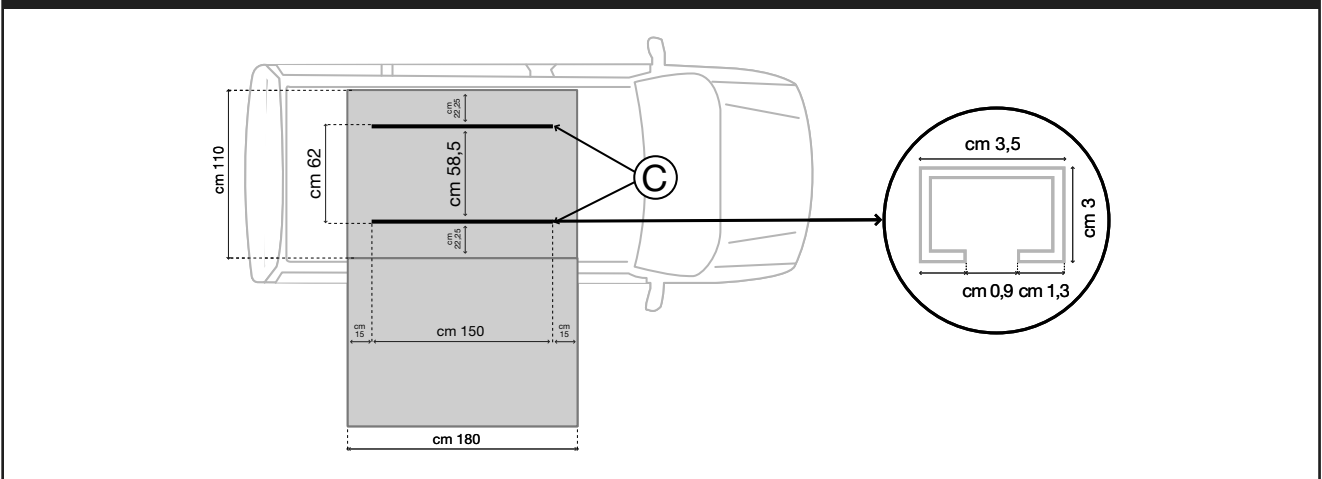
STANDARD FIXING OVERLAND MEDIUM



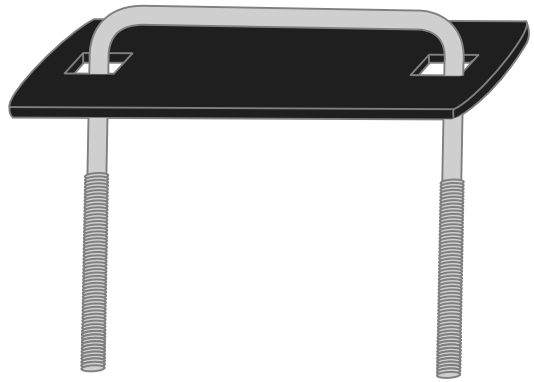
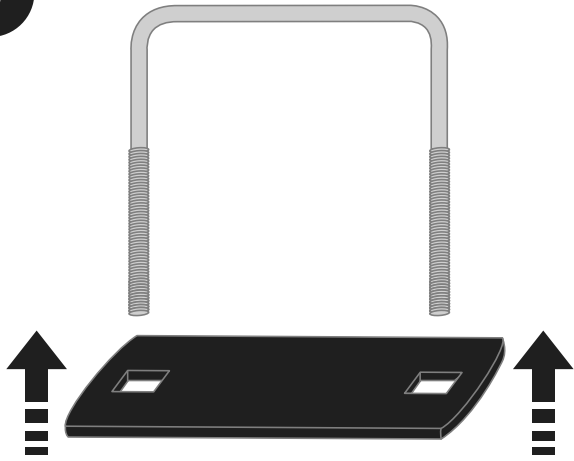
EXPLORER FIXING OVERLAND MEDIUM



STANDARD FIXING OVERLAND MEDIUM

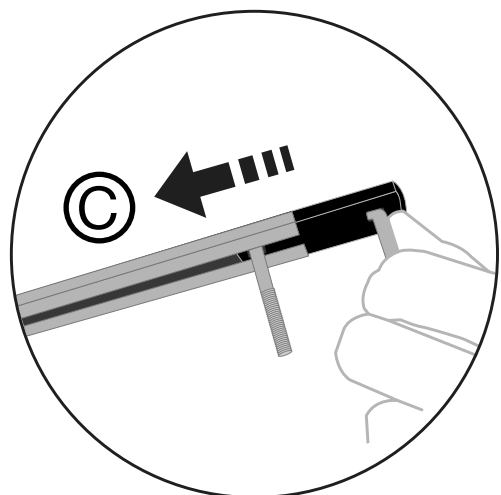
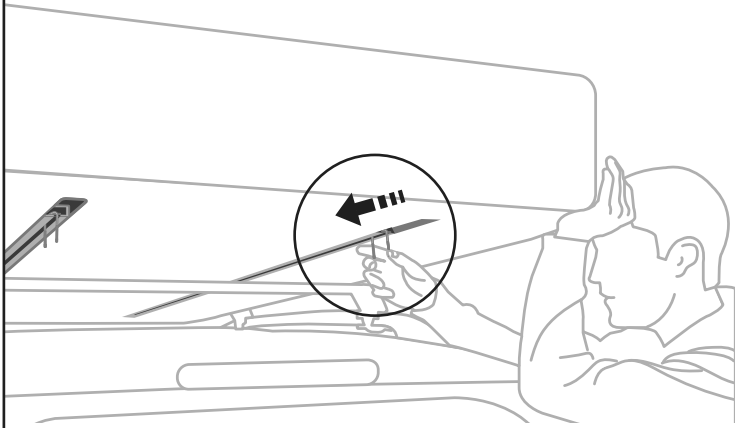


3

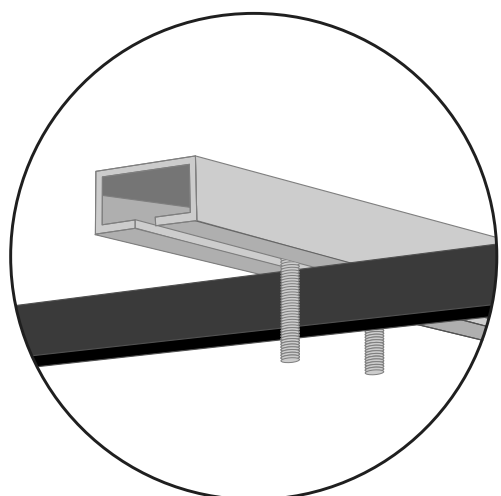
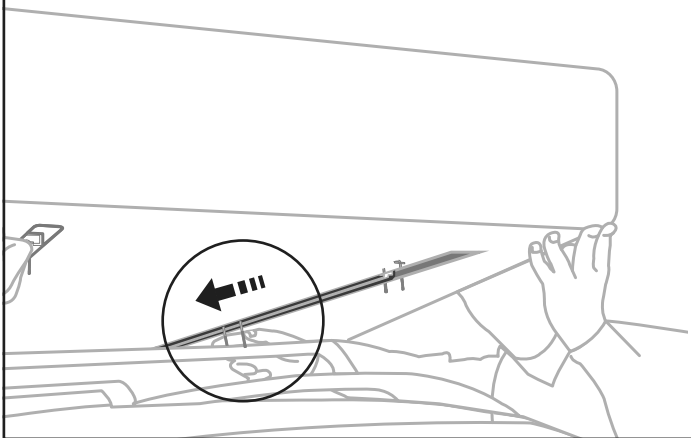


X4

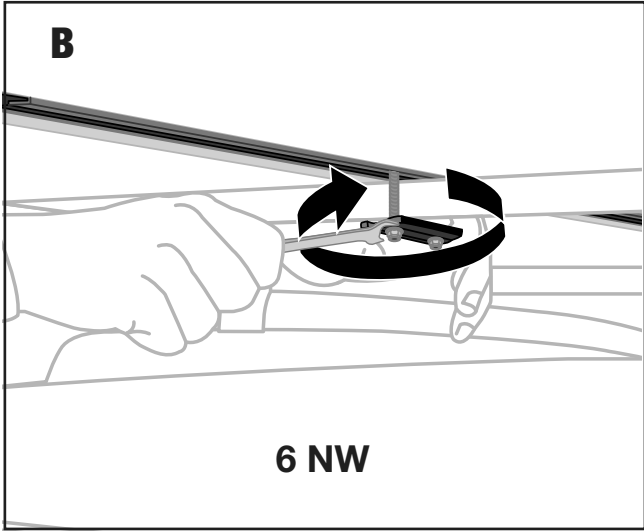
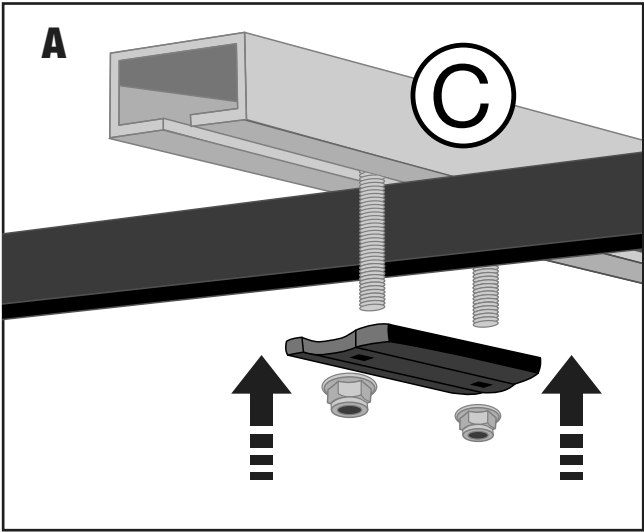
4



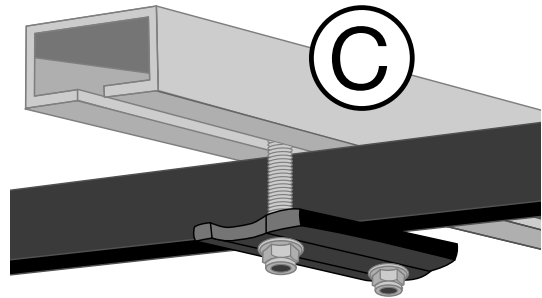
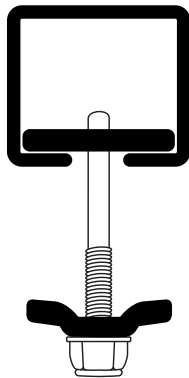
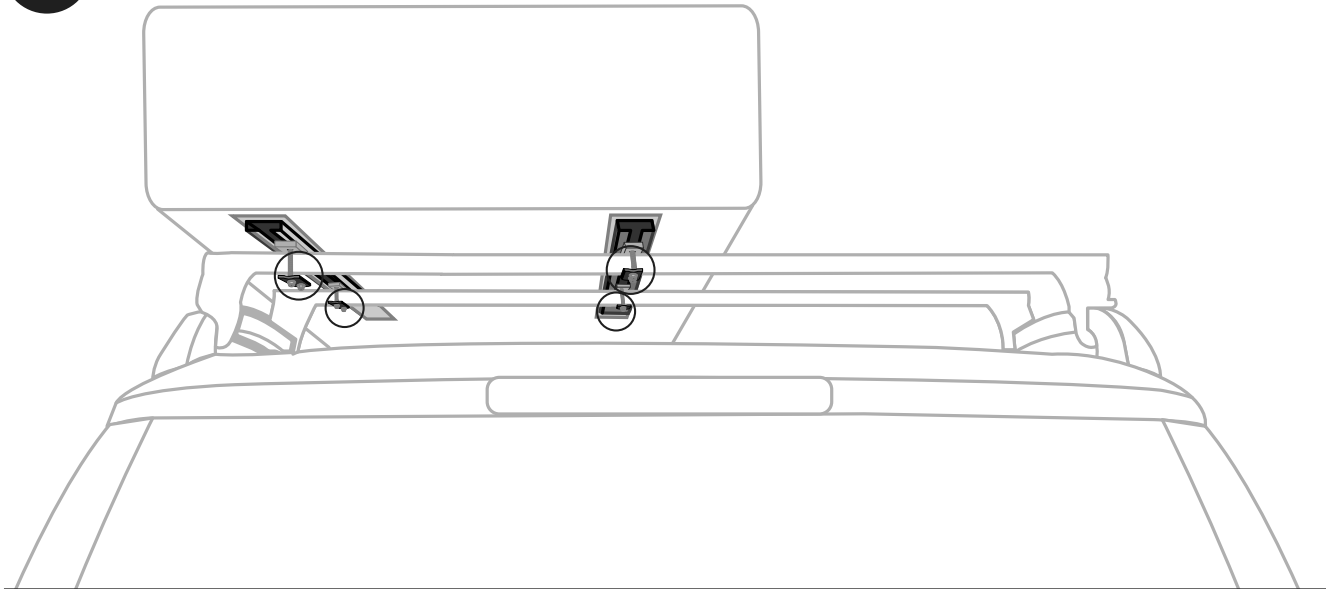
5



6



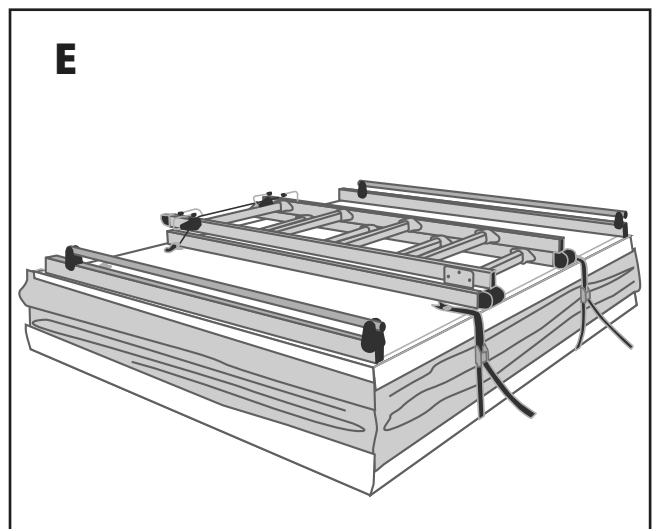
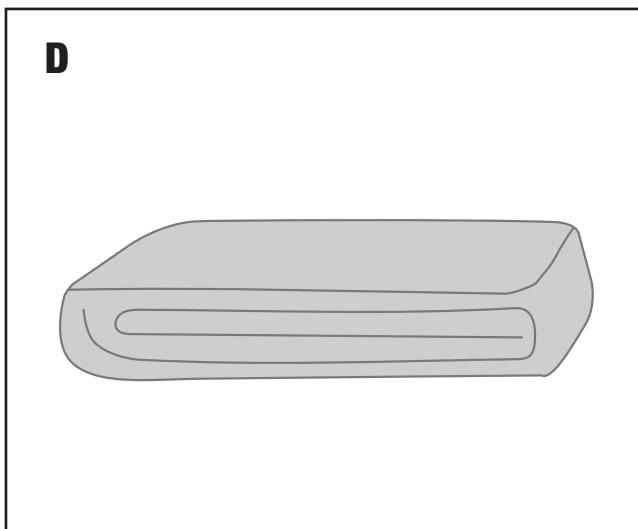
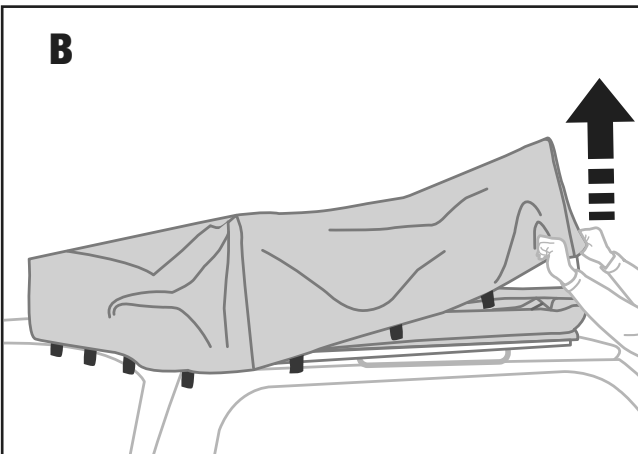
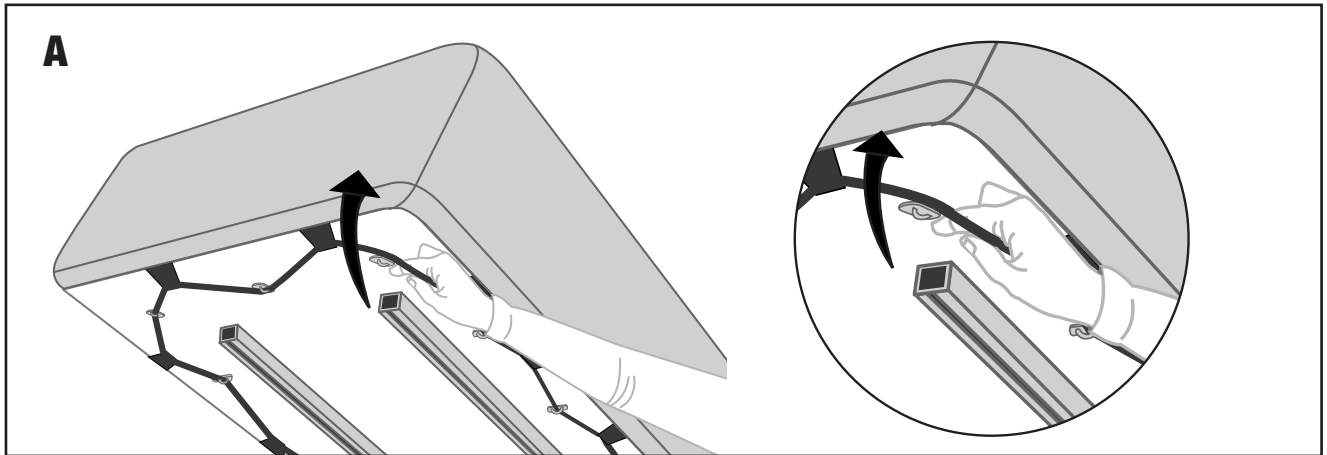
7



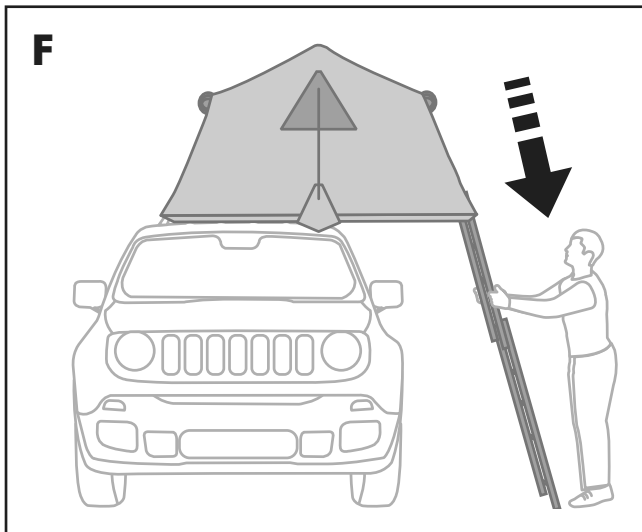
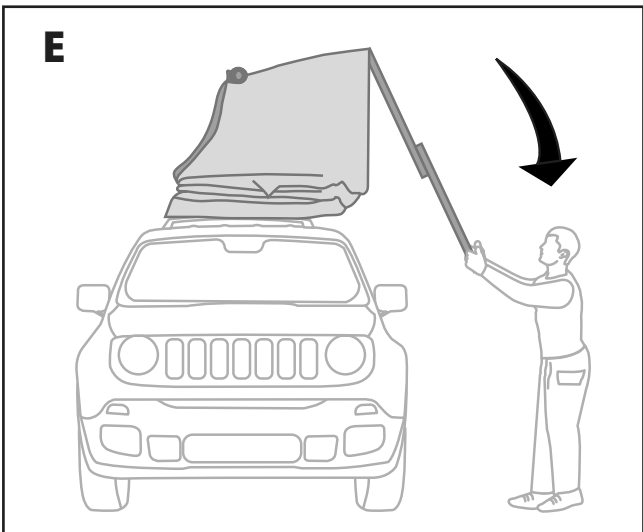
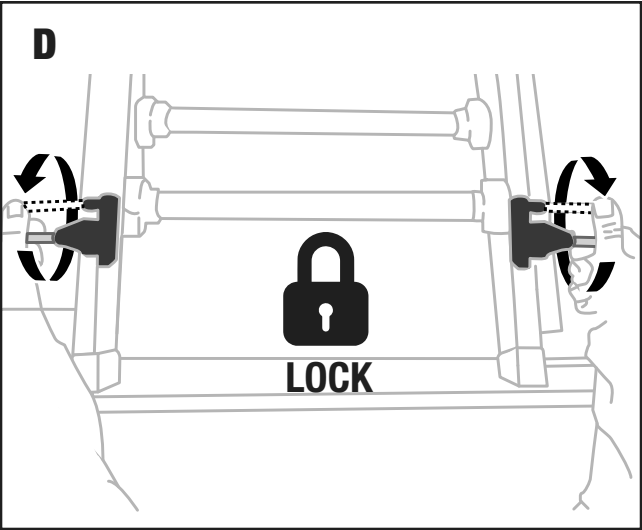
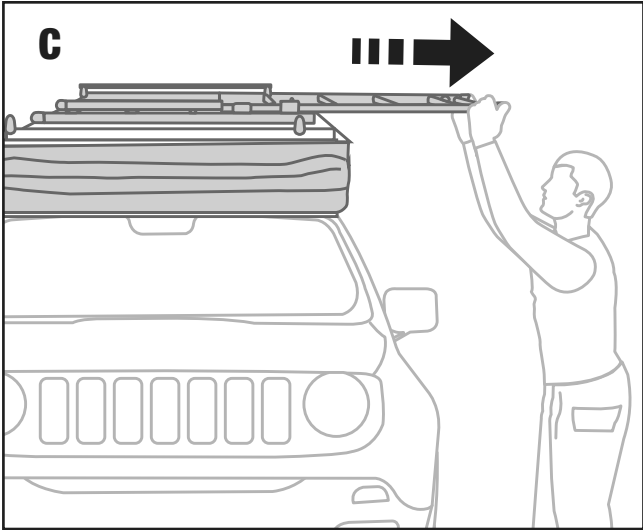
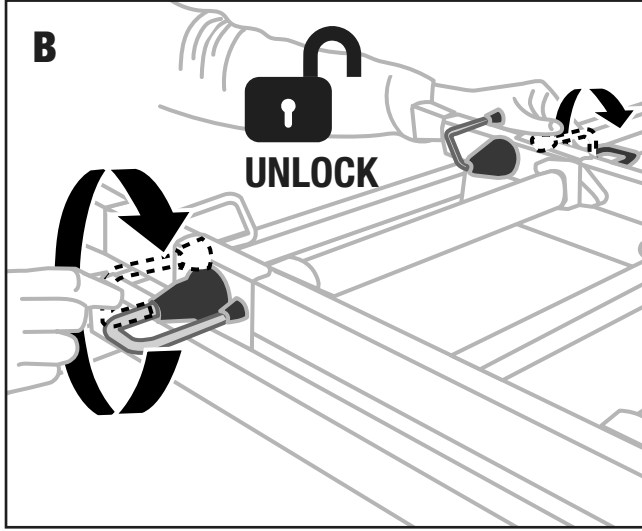
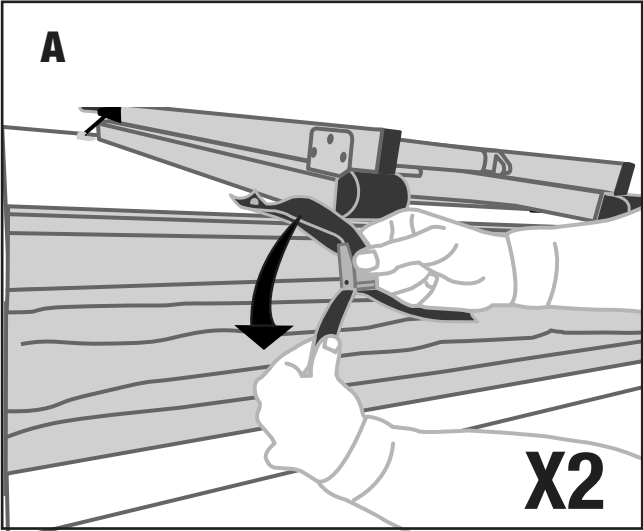
OPENING

Apertura • Overture • Öffnung

8

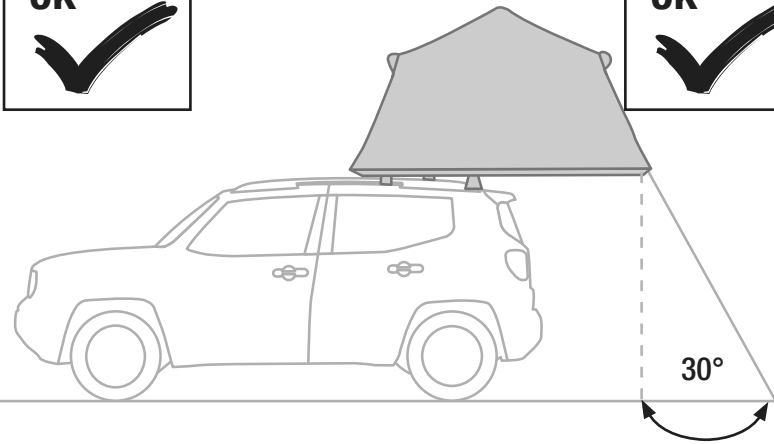


9

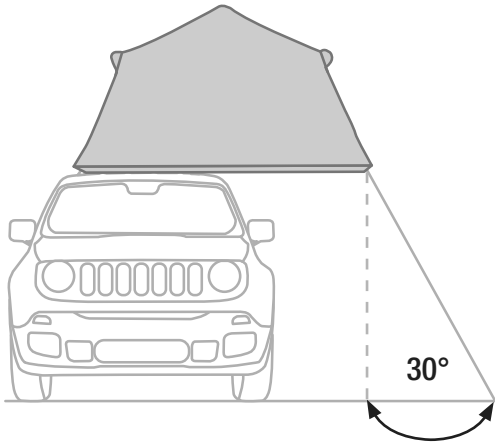


10

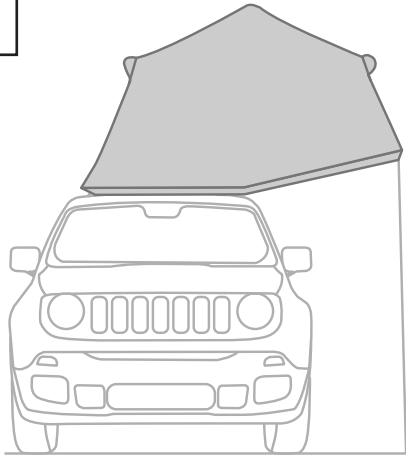
ok ✓



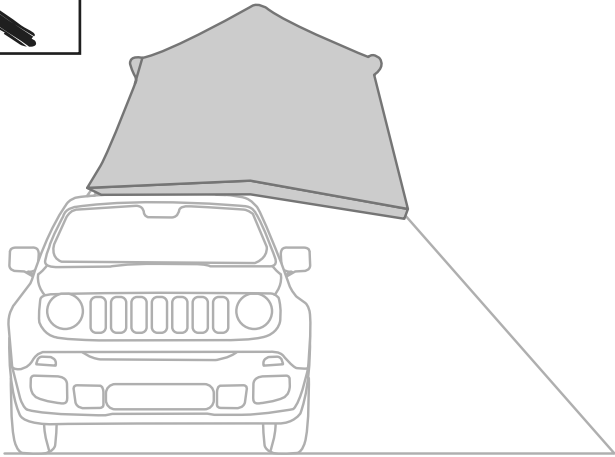
ok ✓



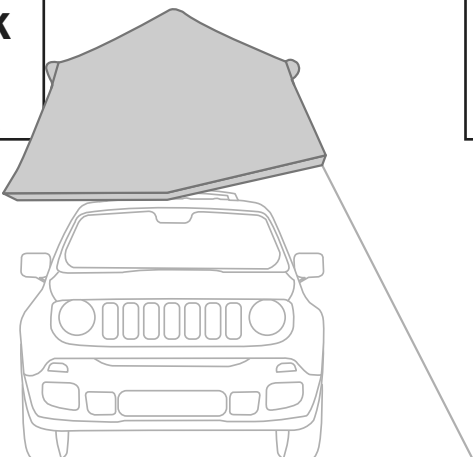
NOT ok ✗



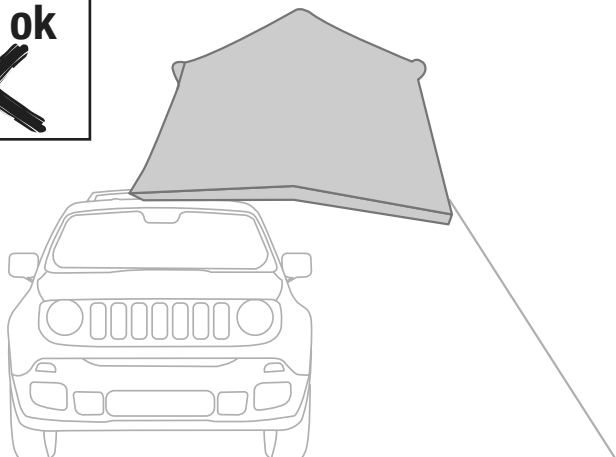
NOT ok ✗



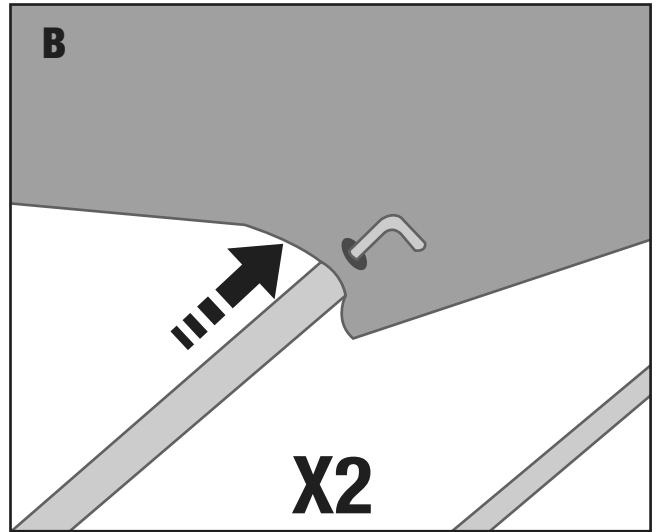
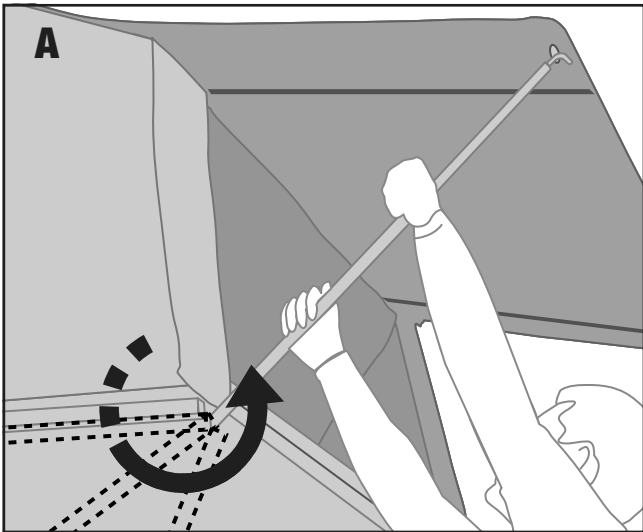
NOT ok ✗



NOT ok ✗



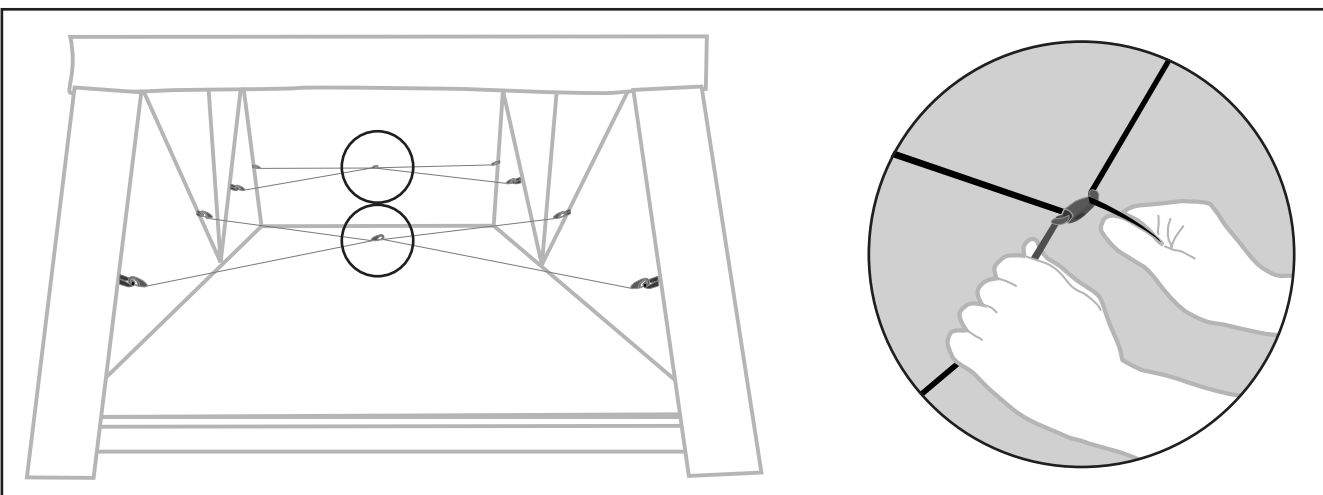
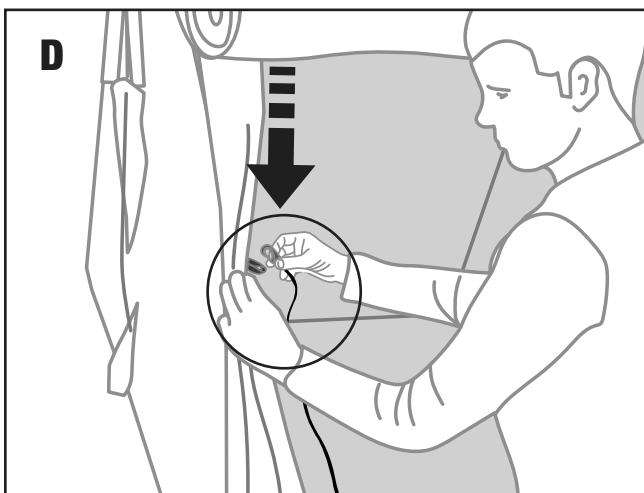
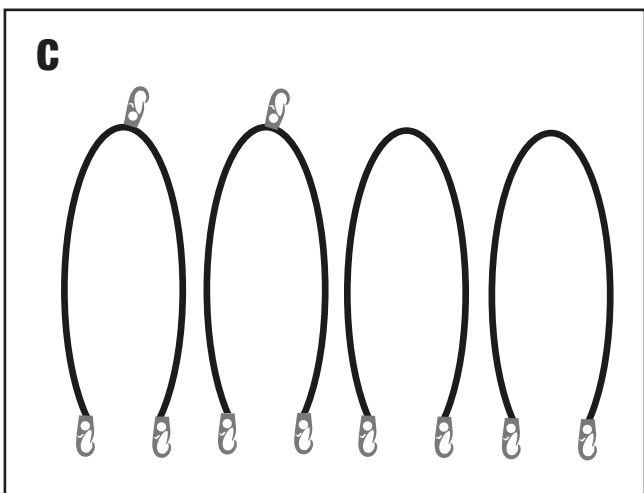
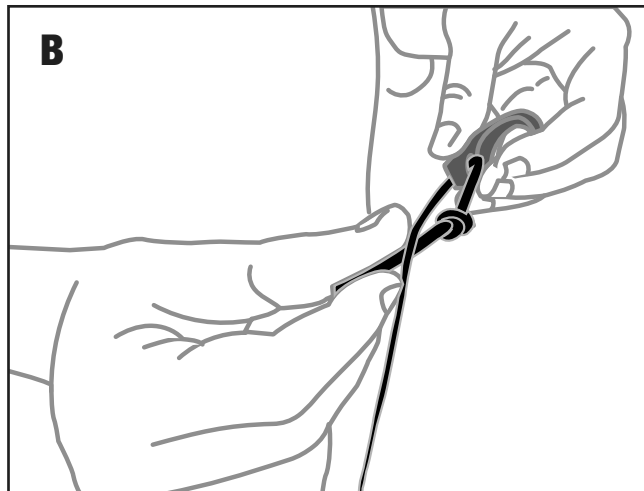
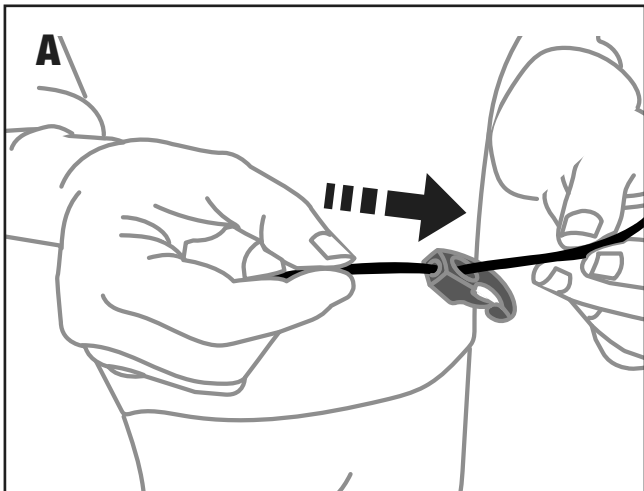
11



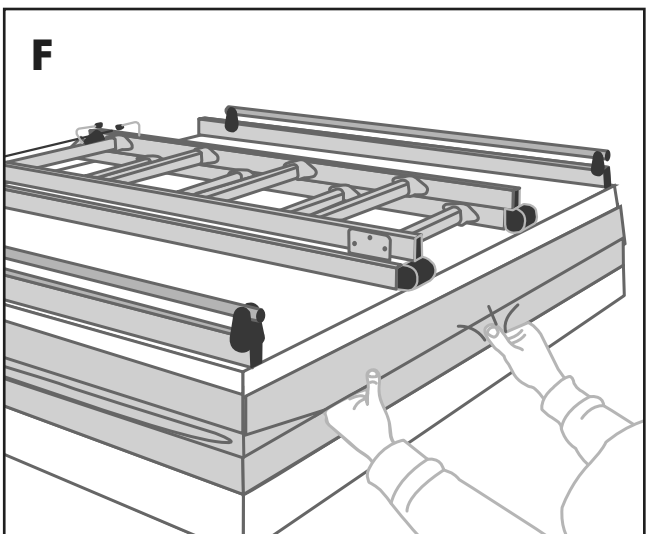
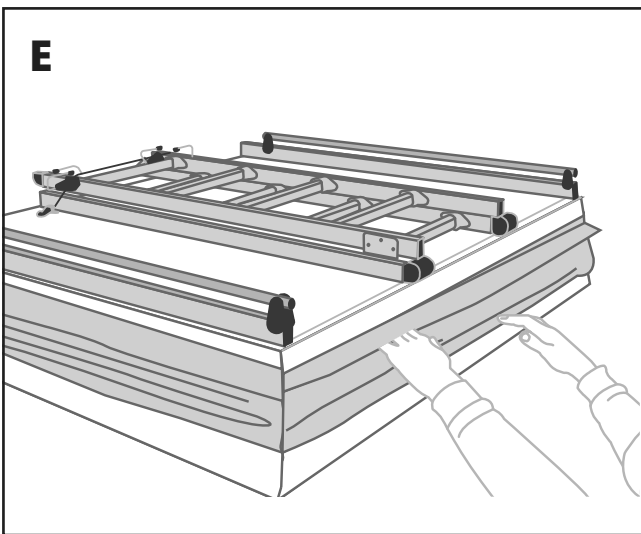
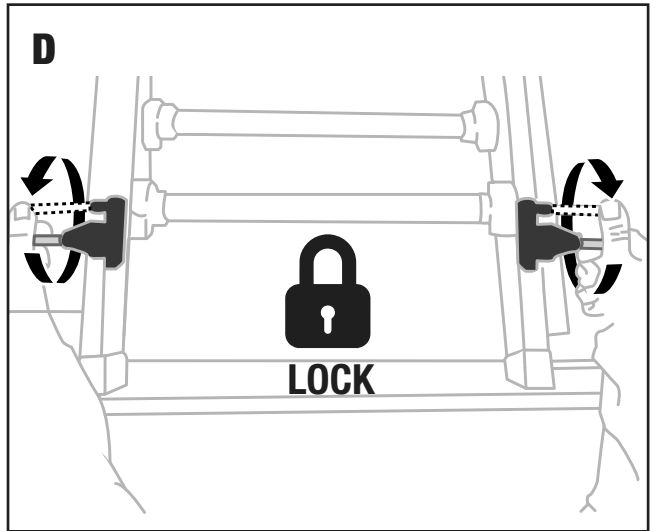
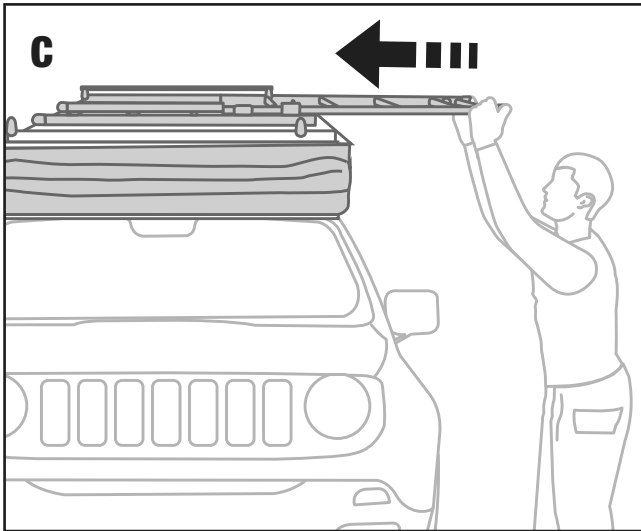
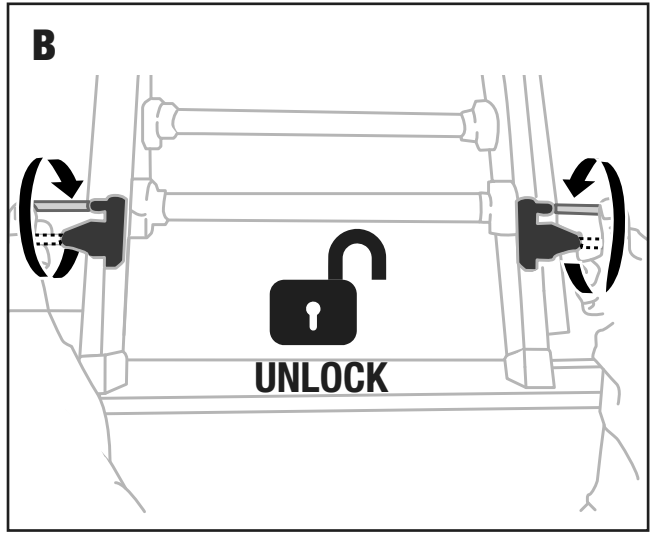
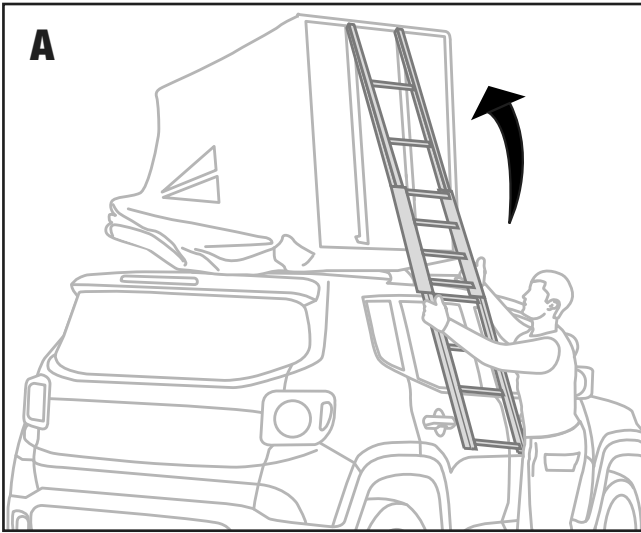
CLOSING

Chiusura • Fermeture • Schließung

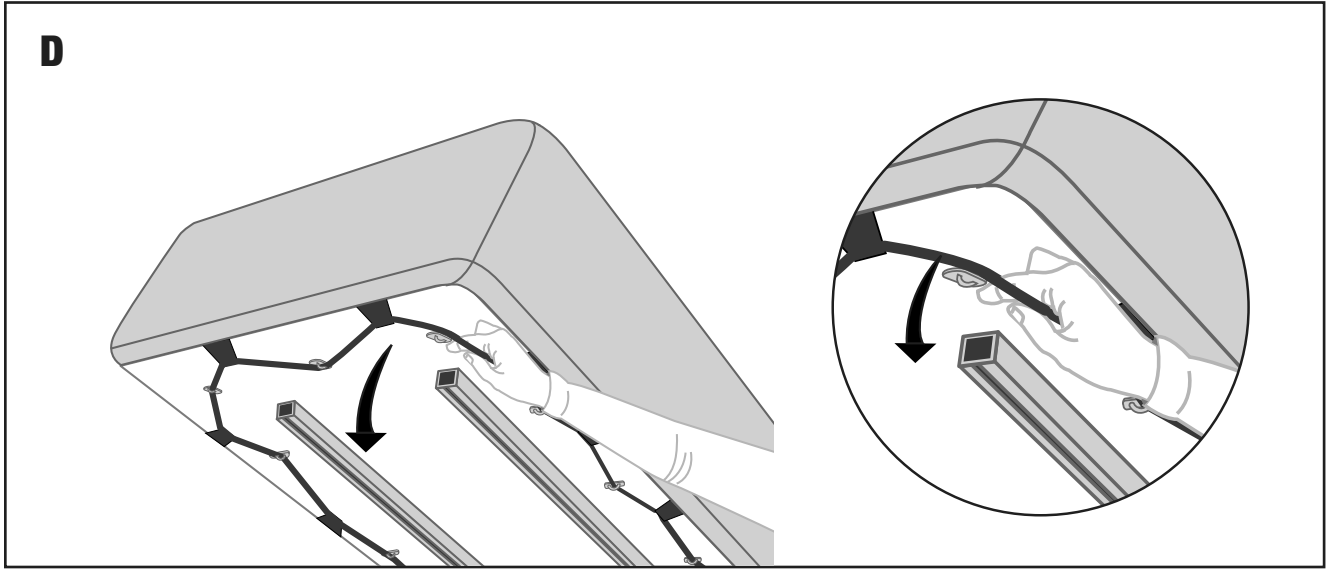
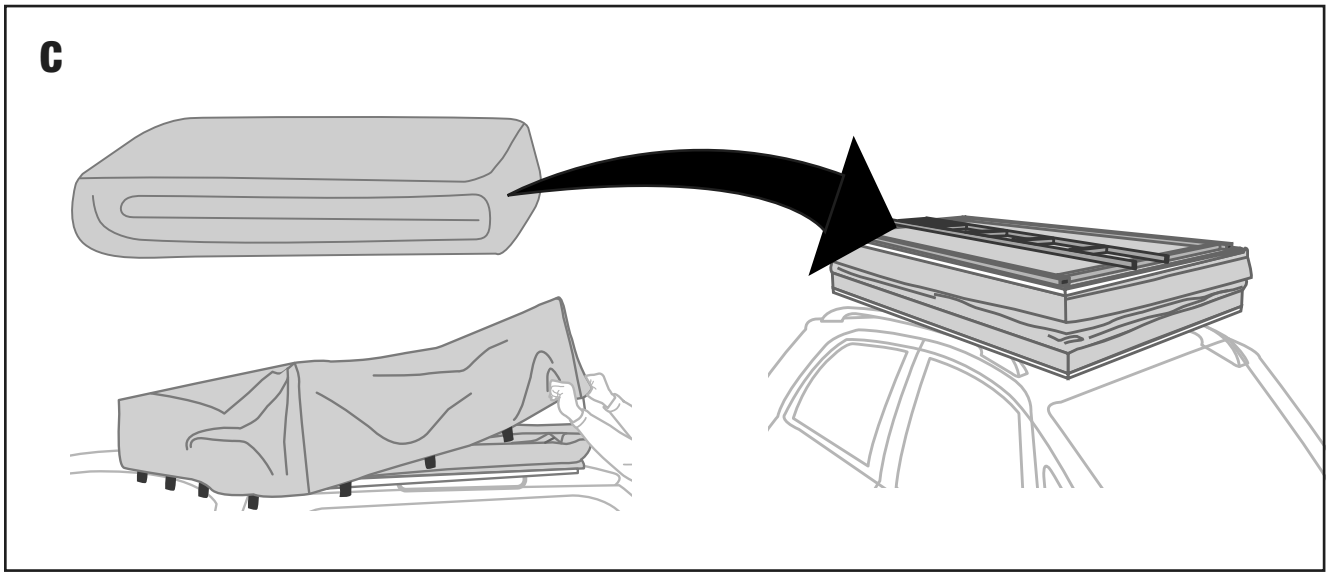
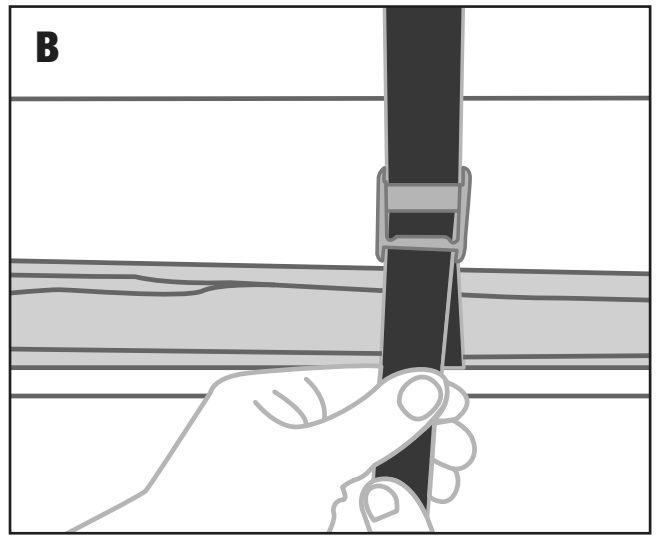
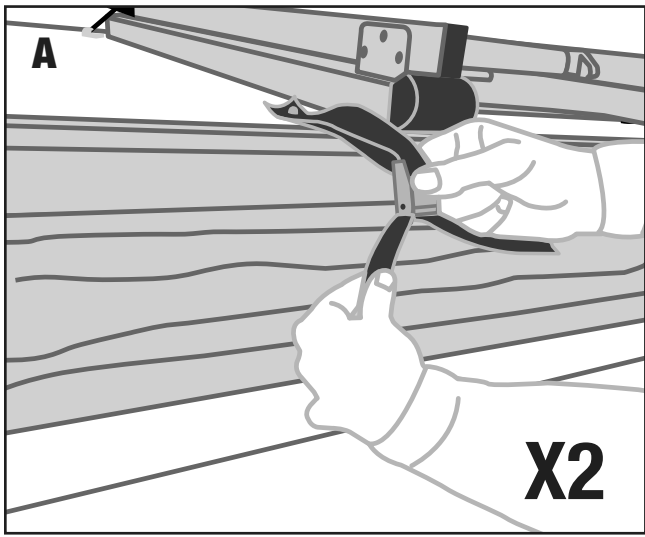
12

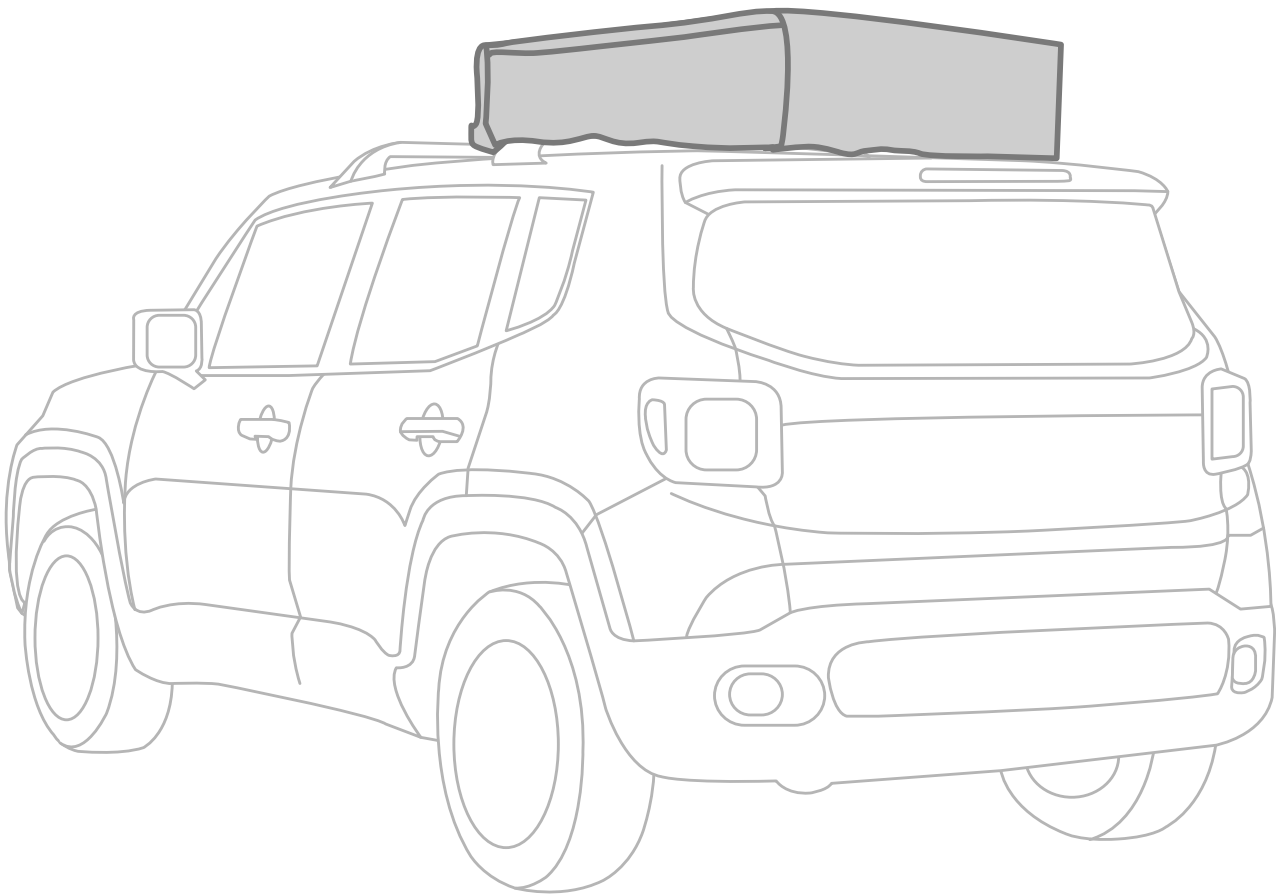


13

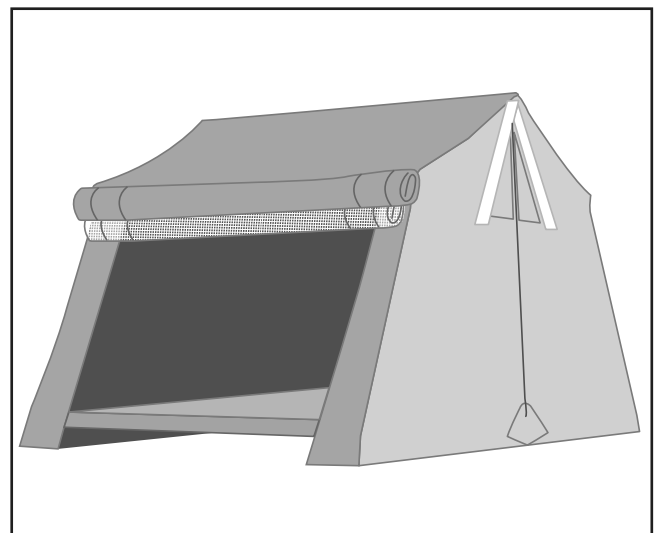
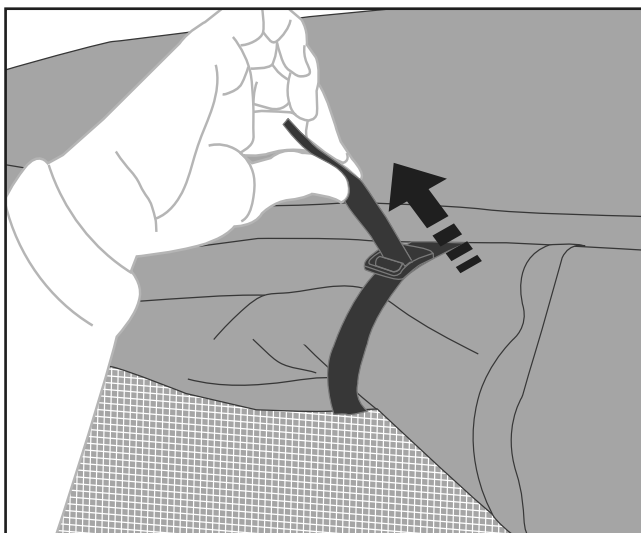
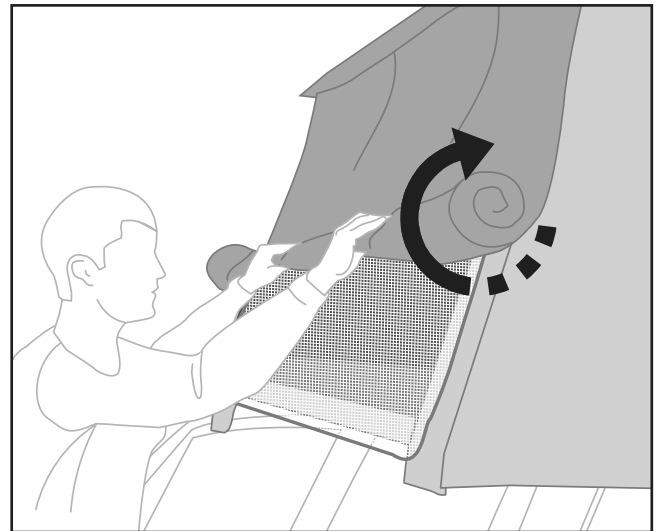
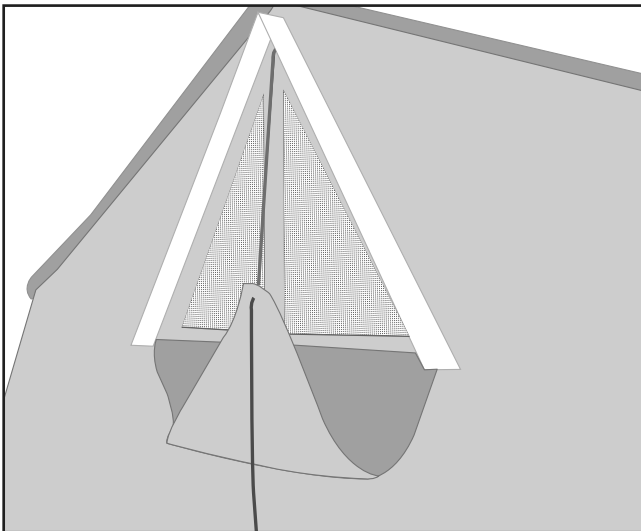
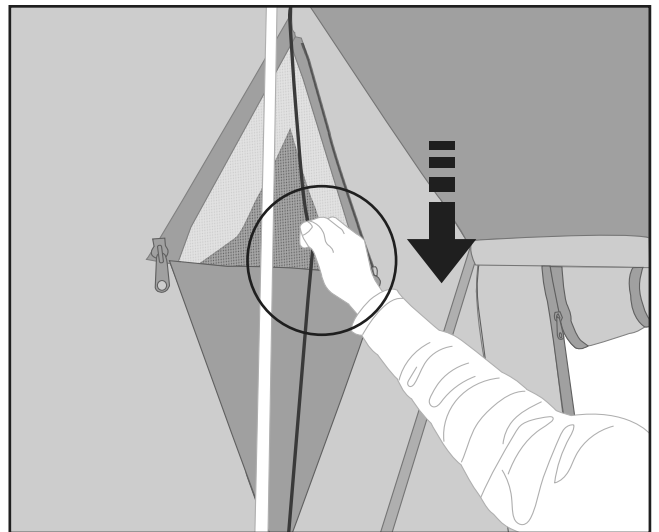
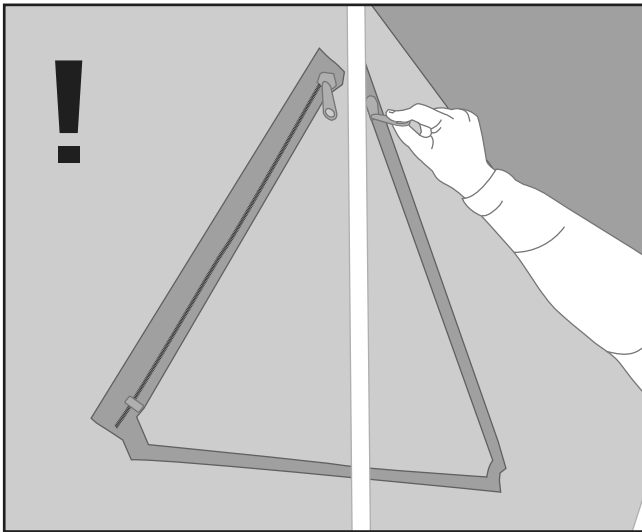


14



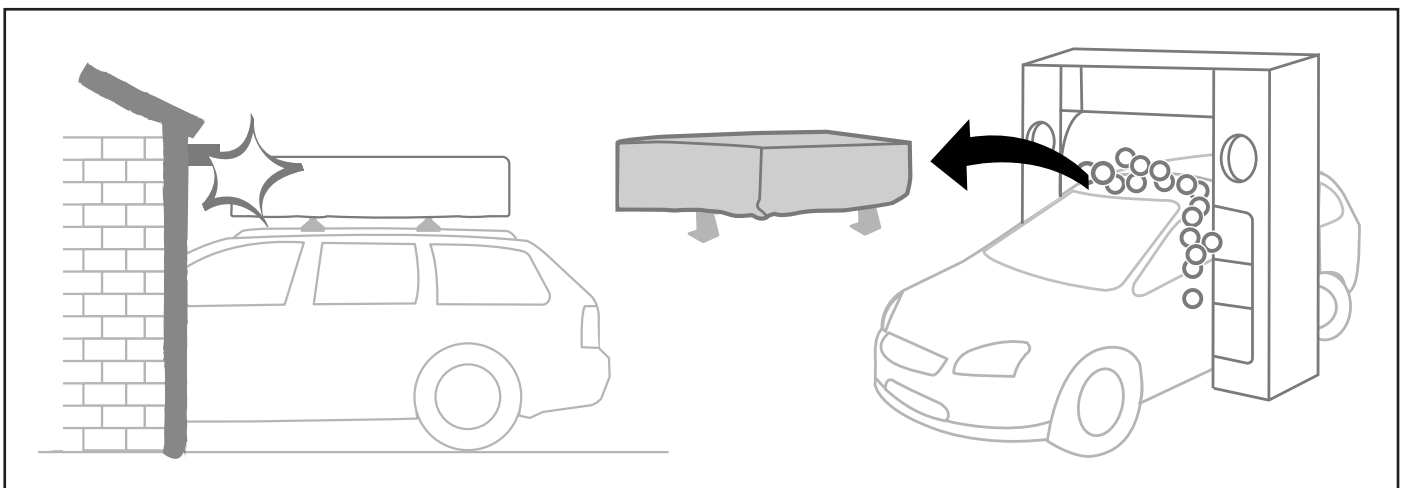
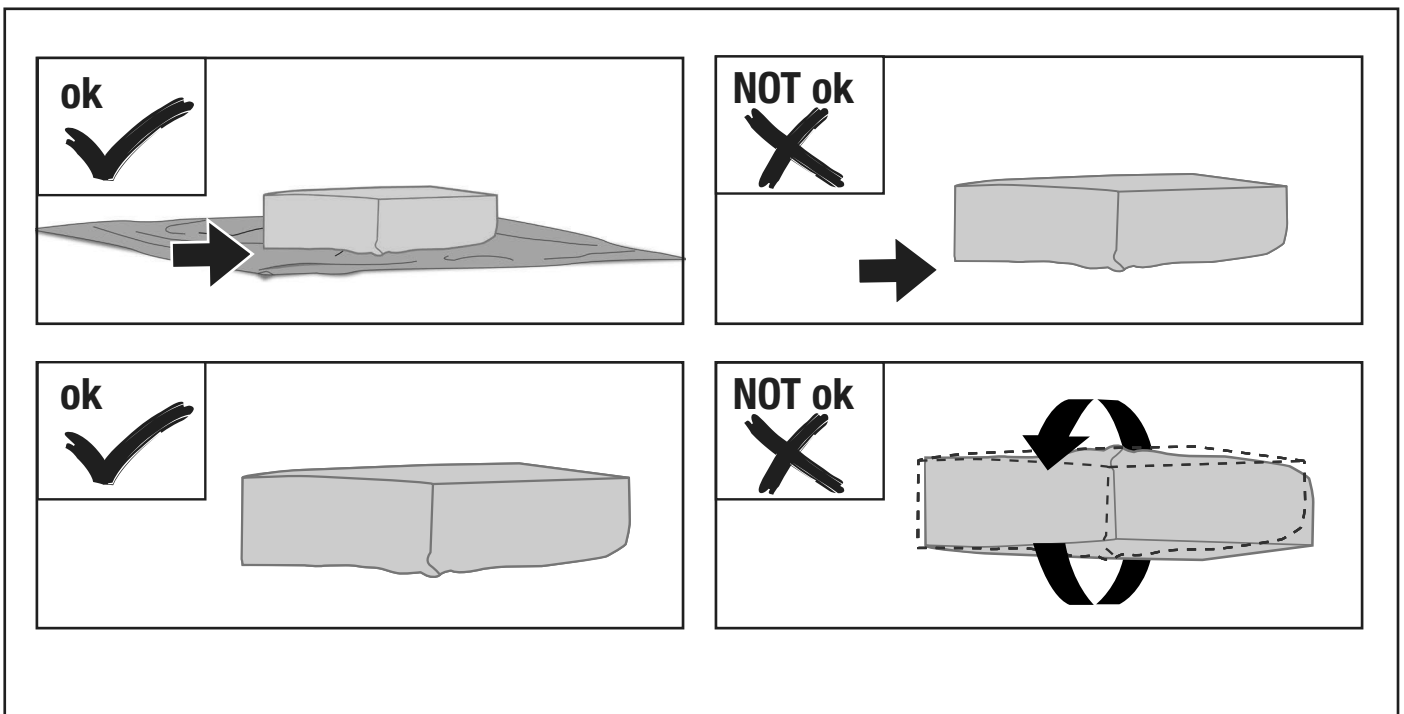
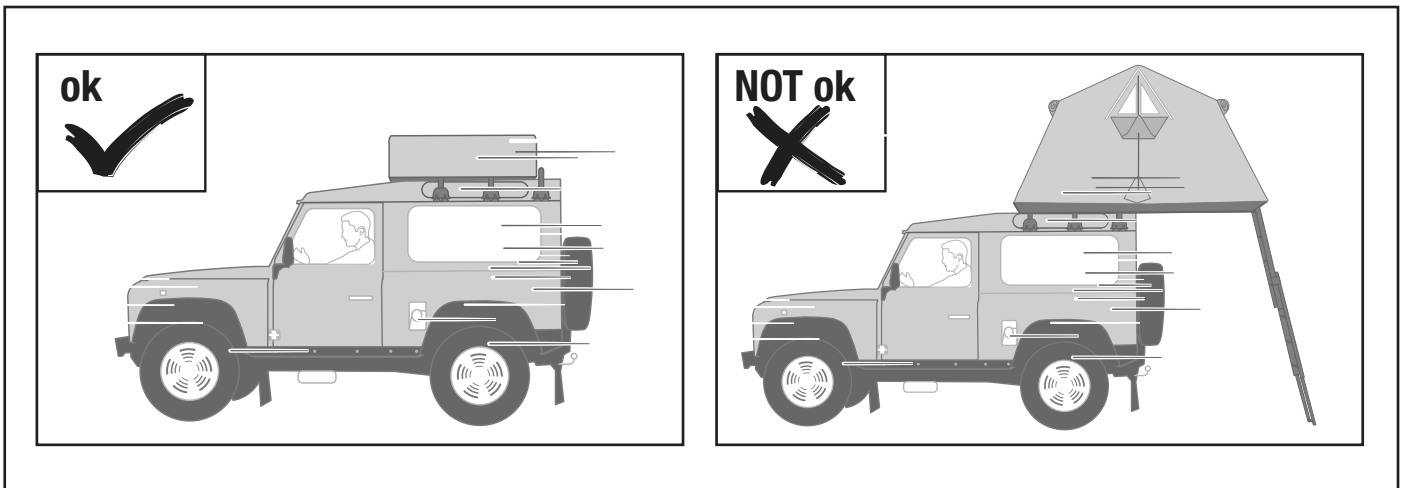


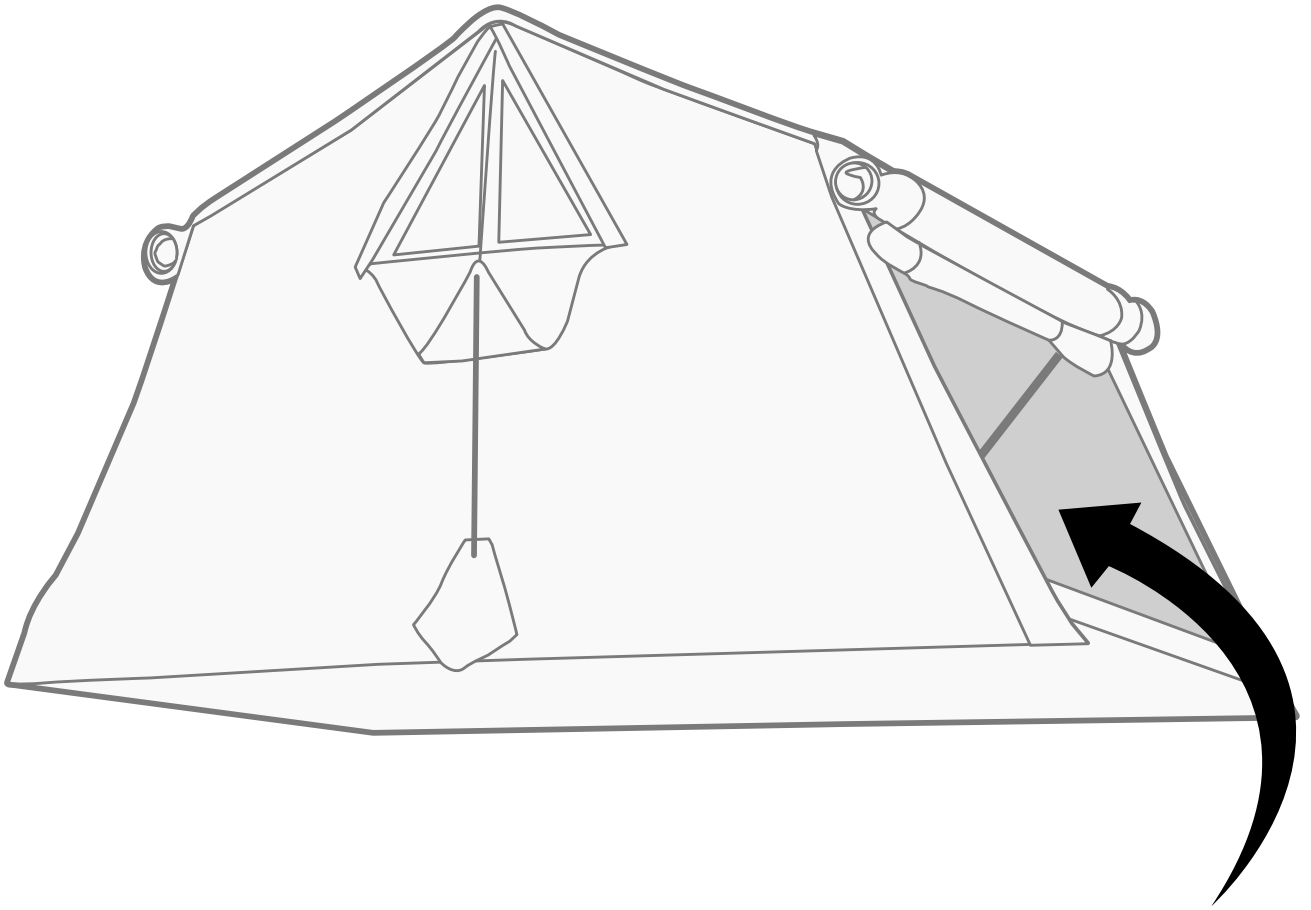
HANDLE WITH CARE



WARNINGS

Avvertenze • Avertissement • Warnungen







AUTOHOME[®] produced by
Zifer Italia Srl
Viale Risorgimento, 23
46017 Rivarolo Mantovano
(Mantova) Italy
Tel. +39 0376 99590
+39 0376 958164
Fax +39 0376 958088

AUTOHOME-OFFICIAL.COM
info@autohome.it

 MADE IN ITALY

 FREE RAIDER Autohome-Club



PRODUCT QUALITY CERTIFICATION