

# FITMENT INSTRUCTIONS

**Alu-Cab**<sup>TM</sup>



## Shower Cube to Icarus

Should you experience any problems please  
contact us so that we can assist you

Enquiries: [queries@alu-cab.co.za](mailto:queries@alu-cab.co.za)  
Tel: +27 21 703 3028

## 1. Shower Cubicle Fitment – Tools, Fasteners & Materials

The tables below show the equipment, i.e. tools and fasteners required to start the shower cubicle fitment onto a Icarus Tent.

### 1.1. Tools & Items Required:

<u>TOOLS</u>	<u>ITEM</u>
Ratchet	Turpentine
13mm Socket	Cloth
13mm Ring Flat Spanner	Black sealant, silicone or Sikaflex
Drill	
Drill Bit Ø8.5	

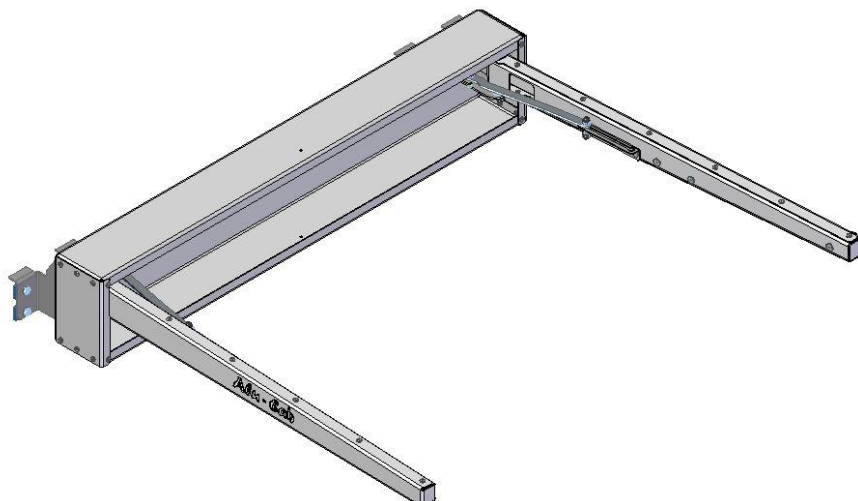
### 1.2. Fasteners supplied: (Included with Shower Cubicle)

<u>ITEM</u>	<u>QUANTITY</u>
HEX HEAD BOLT M8X20	8off
M8 FLAT WASHER	16off
M8 NYLOC NUT	8off
M8 PLASTIC NUT CAP	12off

### 1.3. Hardware Required: (Included with Shower Cubical)

<u>ITEM</u>	<u>DESCRIPTION</u>	<u>QUANTITY</u>
SHOWER CUBICLE	SHOWER CUBICLE ASSEMBLY	1 off
SHOWER CUBICLE BAG	BLACK SHOWER CUBICLE BAG	1 off
SHOWER CURTAIN	GREY SHOWER CURTAIN	1 off
AWNING MOUNTING BRACKET	LR-AW-000-002	2 off
AWNING BRACKET BACK PLATE	TR-AW-010-002 REV B	8 off

Fig 1.SHOWER CUBICLE



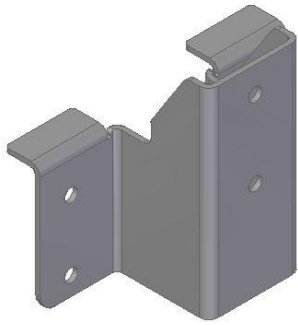


Fig 2. LR-AW-000-002

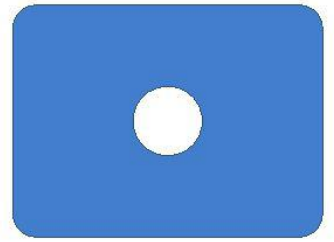


Fig 3. TR-AW-010-002 REV B

## 2. Mounting the front Generic bracket to Icarus

Remove the aluminum panels the on the inside . See Fig. 4 & 5

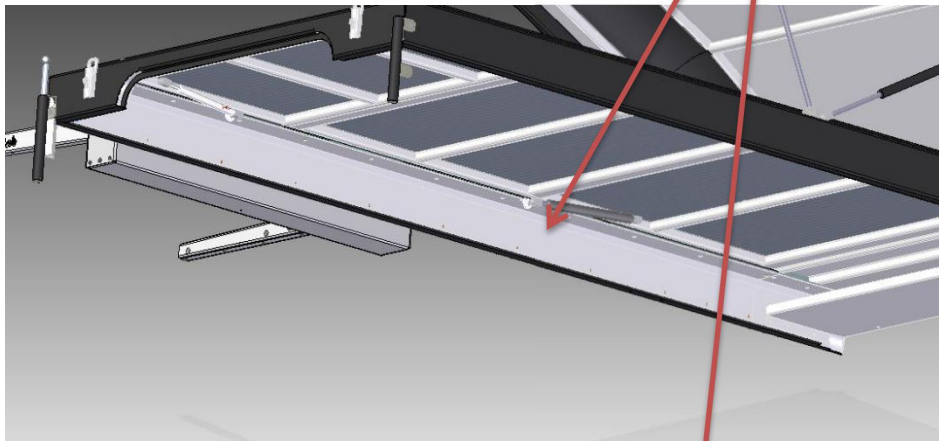


Fig 4.

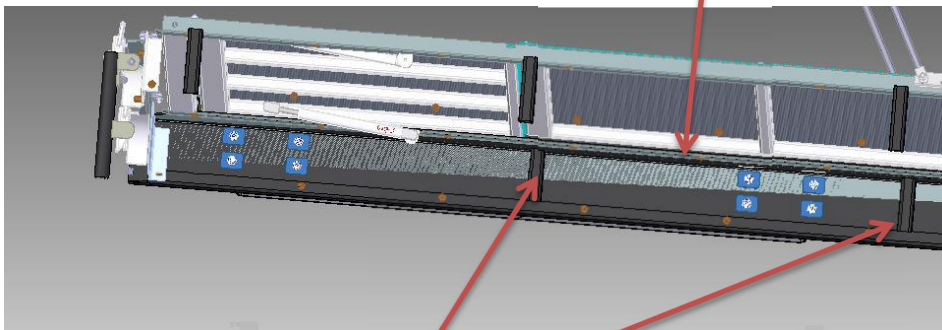


Fig 5.

Support posts

## 2.1 Mounting of the Brackets to the body

Mounting of the brackets(LR-AW-000-002) can be positioned almost anywhere along the sides of the vehicle as long as the bracket back plate(TR-AW-010-002 REV B) is clear from the support posts on the inside of the roof as shown in **fig 5**.

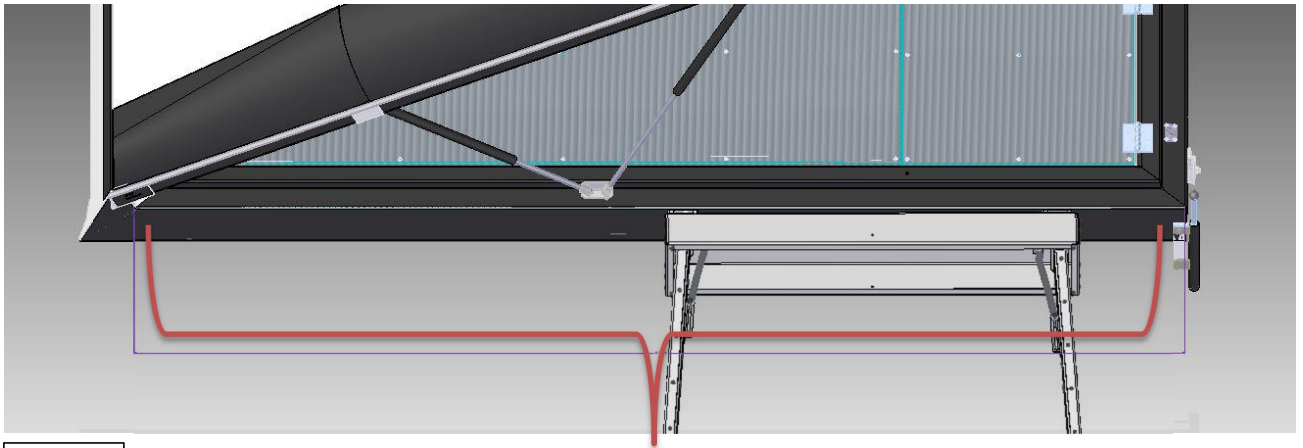


Fig 6.

Mount along the sides of the tent

Mount the (LR-AW-000-002) **mounting bracket** along the tent base with the flange resting on the tent base, while using the holes in the bracket as a jig to drill holes.

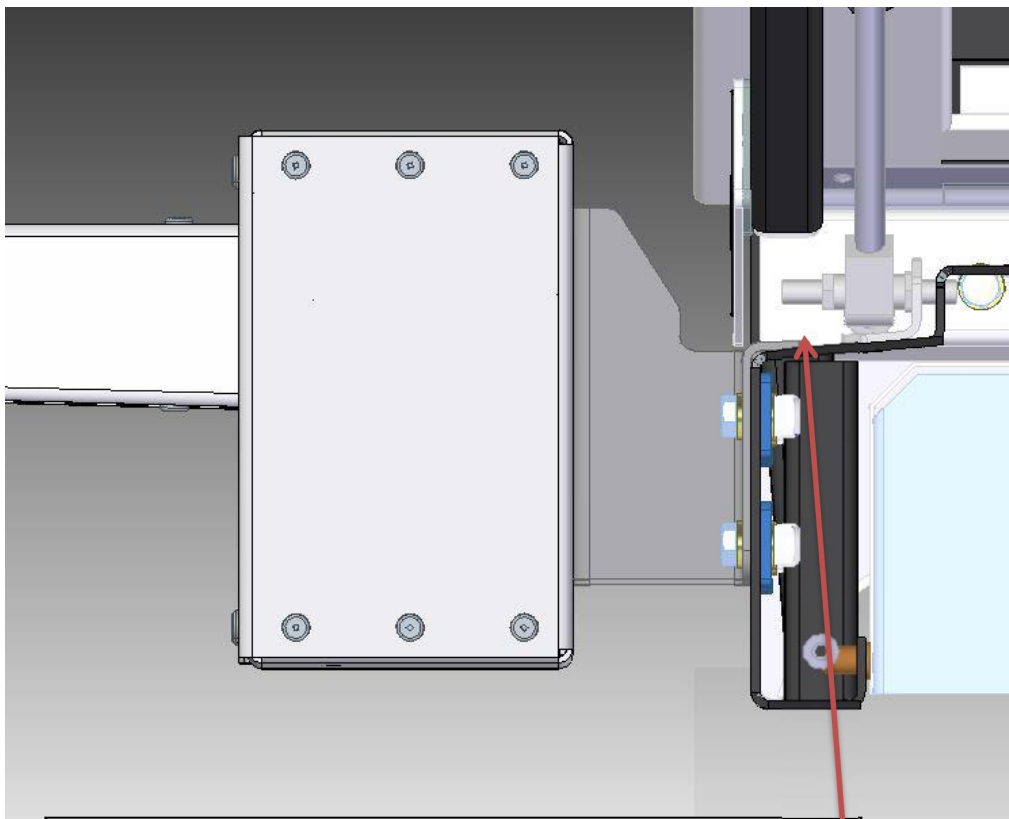
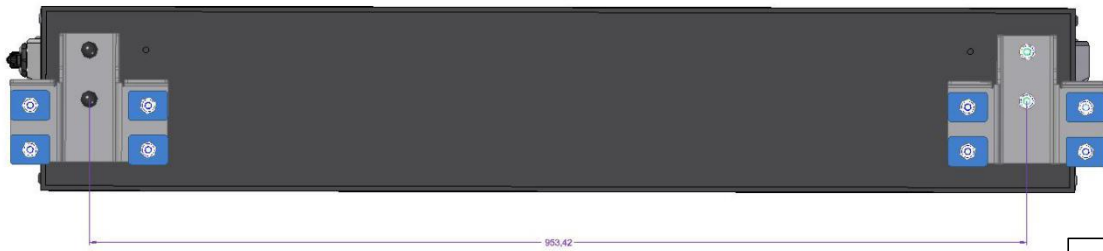


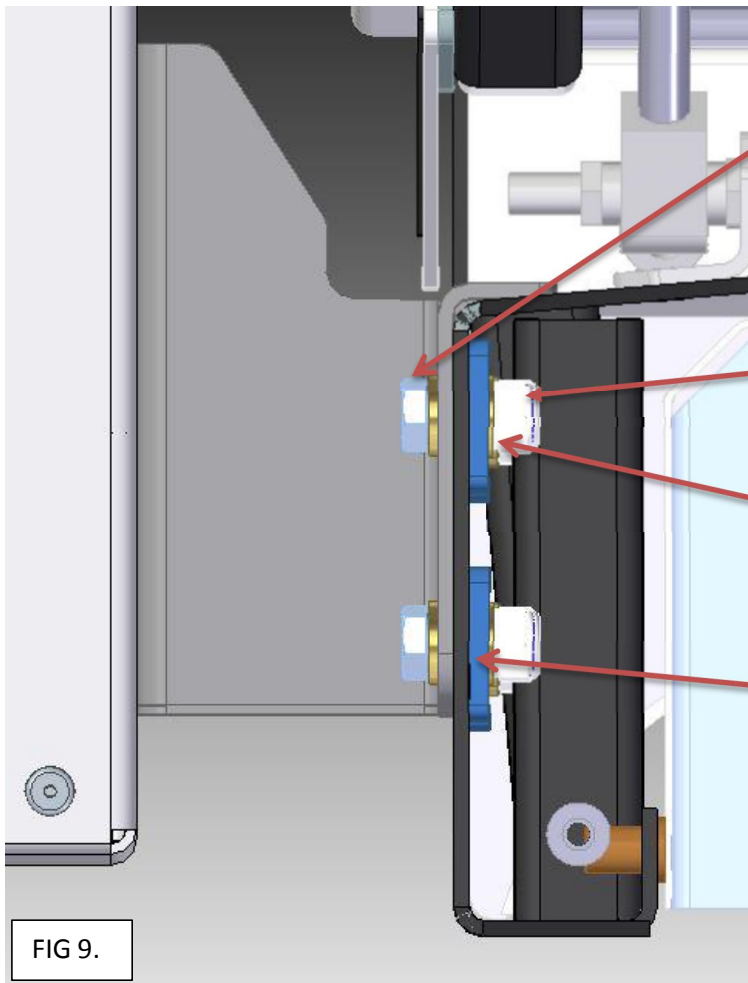
Fig 7.

place the flange of the bracket on the top edge of the tent base



953.5mm spacing between the 2 brackets

Fig 8.



HEX HEAD BOLT M8X20

NYLOC NUT M8

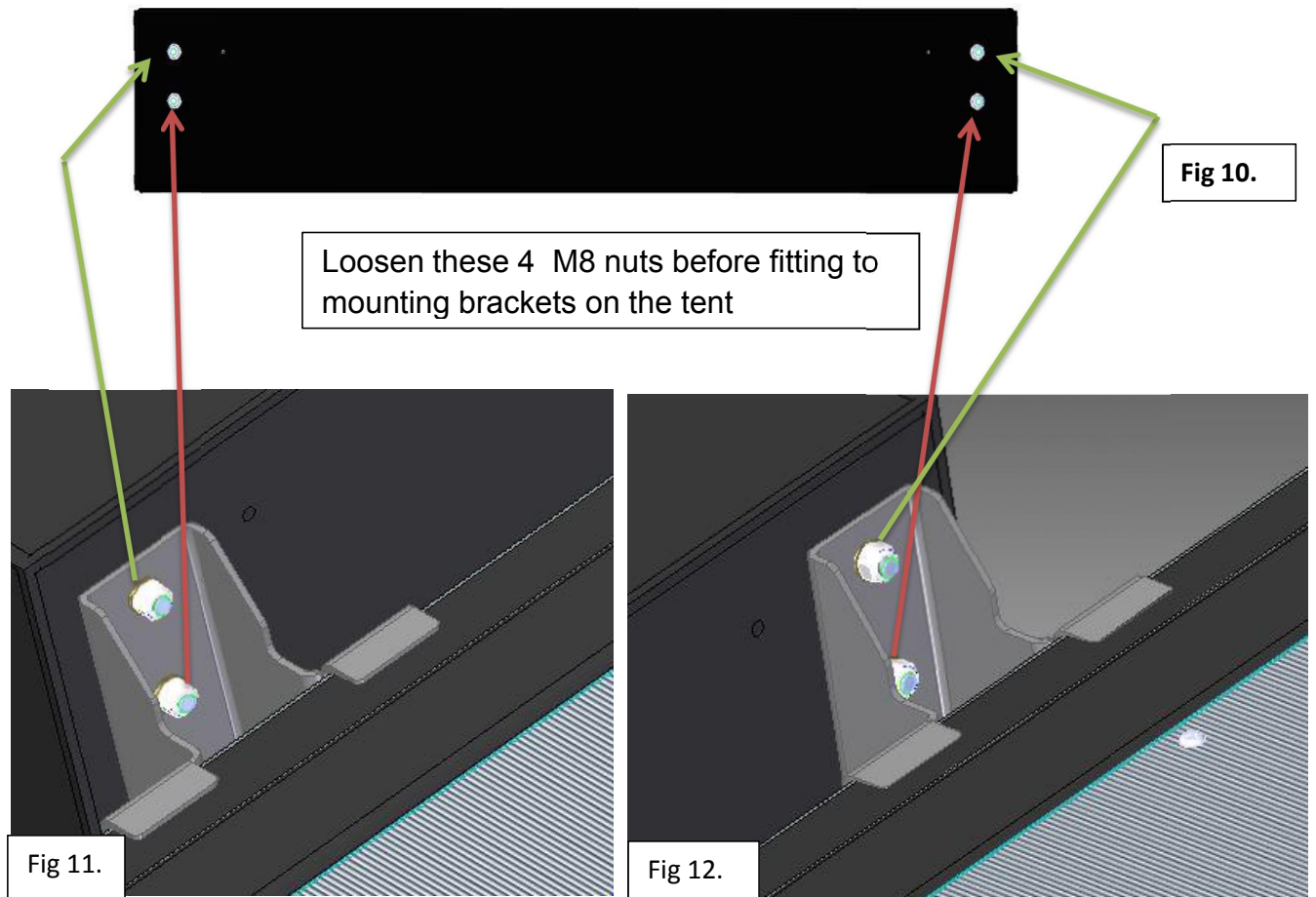
WASHER M8

TR-AW-010-002 REV B

FIG 9.

Place M8 Plastic Nut Caps on all M8 Nyloc Nuts and bolt heads on the outside to finish of the mounting bracket fitment.

### 3. Mounting the shower cubicle.



Place **shower cubicle assembly with the bag** on mounting brackets and secure shower cubicle to the mounting brackets using the same nuts that were removed in **fig 10**. And place M8 nut caps on all nuts.