



FITMENT INSTRUCTIONS

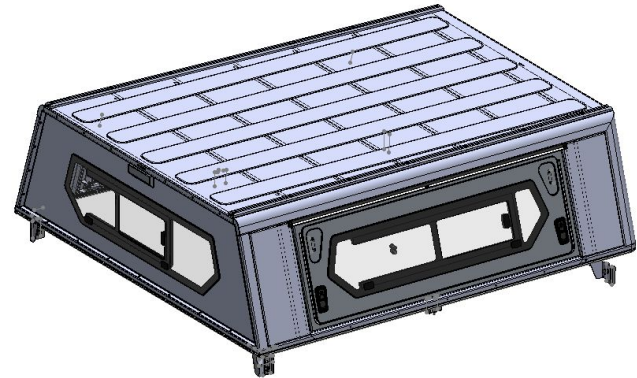
C2 Full Size Canopy Prototype Fitment - RAM 5.5 , RAM 6.5, F150 5.5, F150 6.5

Installation Instructions

Preliminary information

Installation and fitment instructions including tools required, fasteners, kit, and the hardware..

Please follow the instructions and check installation actions with the images in this document.



Service Enquiries email
queries@alu-cab.com

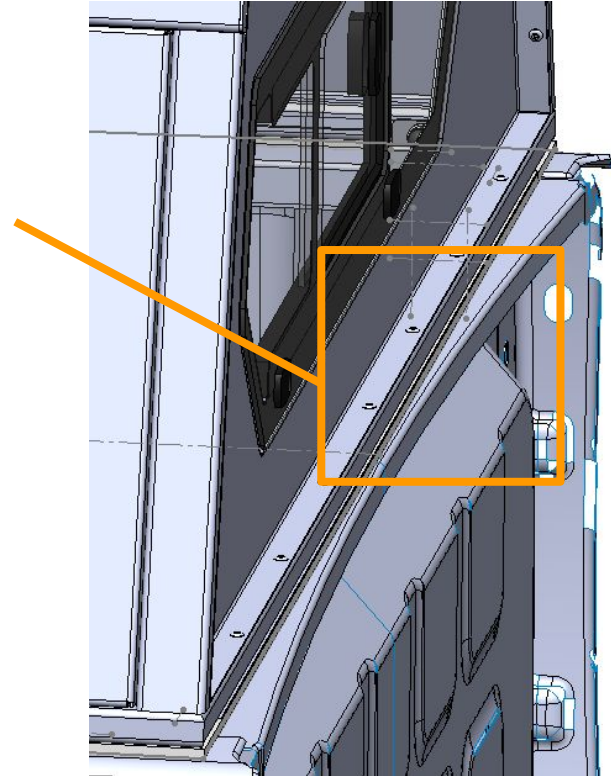
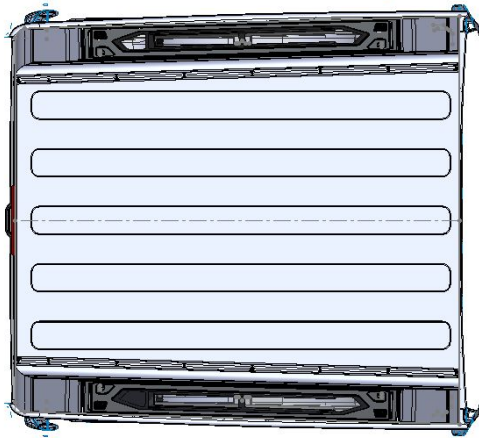
Installation Instructions

Canopy Fitment – Tools, Fasteners & Hardware

1.1

General Assembly

Ensure canopy is moved forward up to the end of the end of the bed curve and equally spaced on the sides of the vehicle

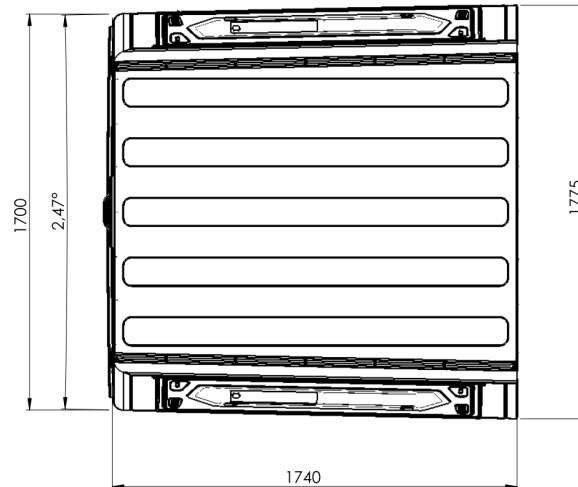
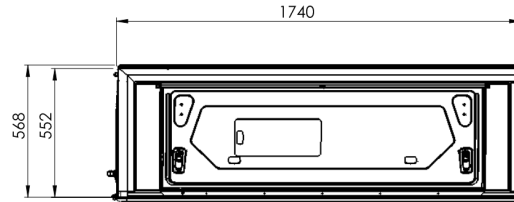


Installation Instructions

Canopy Fitment – Tools, Fasteners & Hardware

1.1

RAM 5.5 Overall Dimensions

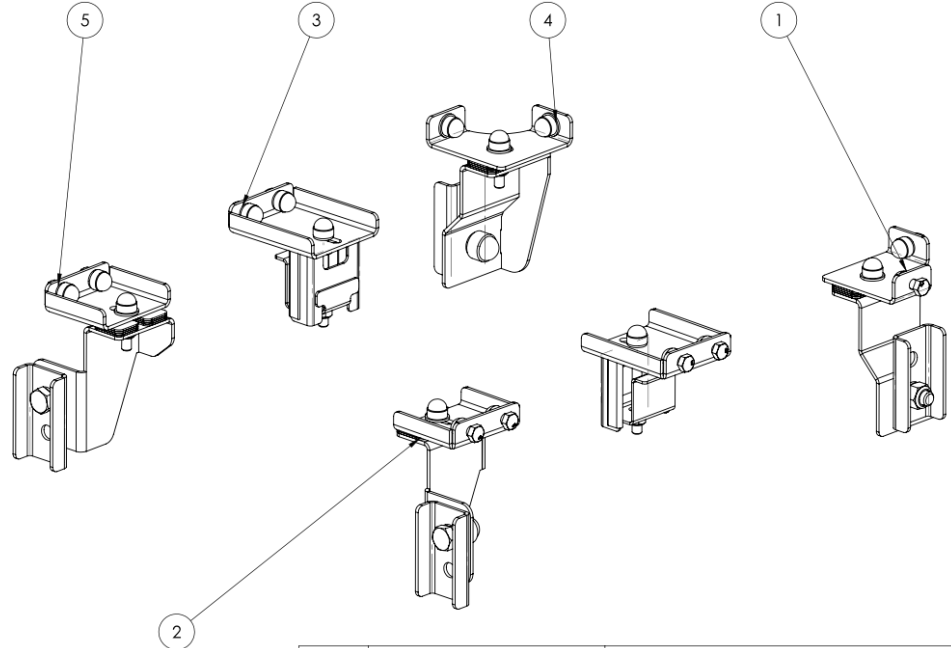
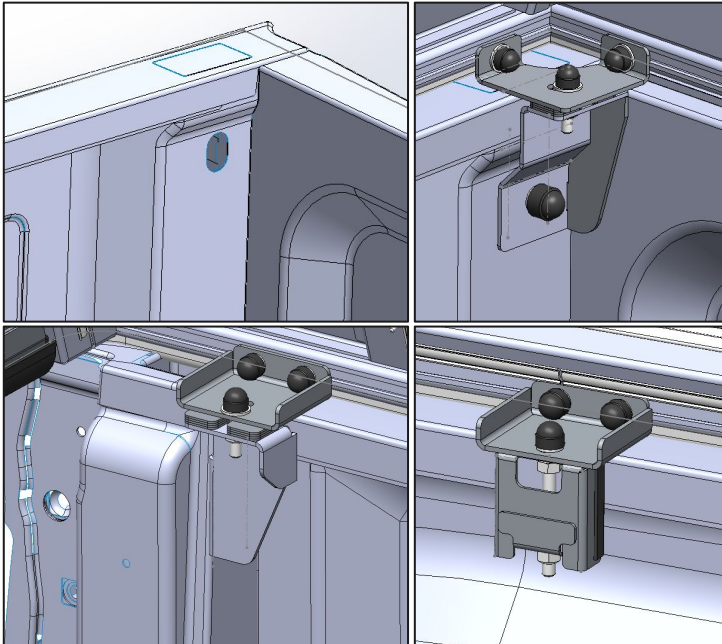


Installation Instructions

Canopy Fitment – Tools, Fasteners & Hardware

1.1

RAM 5.5 Mounting Kit



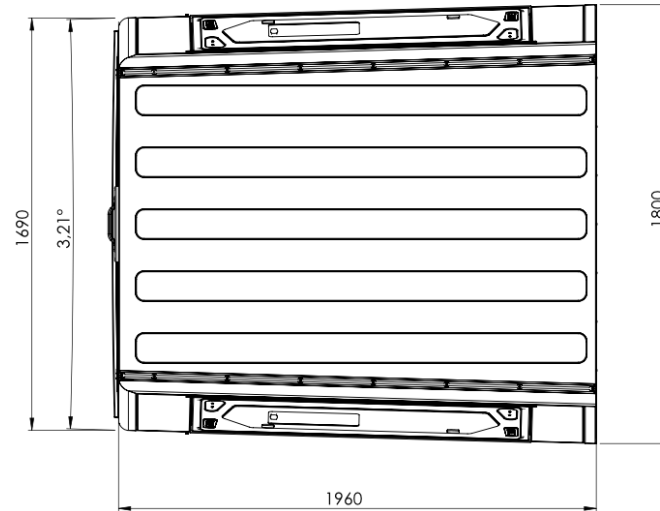
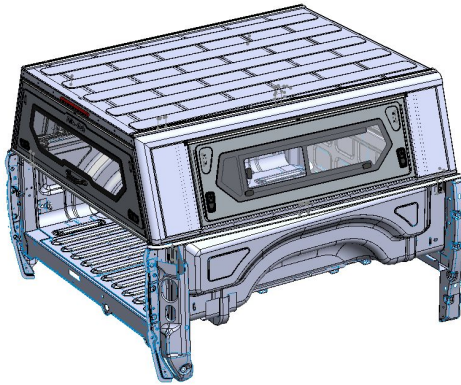
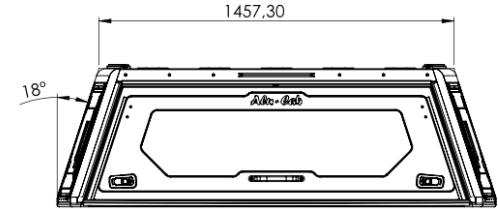
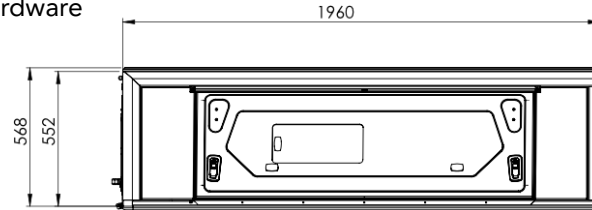
ITEM NO.	PART NUMBER	DESCRIPTION	QTY.
1	C2-RAM-M-BKT-A01	C2 RAM CANOPY RHS FRONT MOUNTING ASSY	1
2	C2-RAM-M-BKT-A02	C2 RAM CANOPY RHS REAR MOUNTING ASSY	1
3	C2-F150-M-BKT-A101-01	CANOPY CLAMP MOUNT LONG ASSY	2
4	C2-RAM-M-BKT-A05	C2 RAM LHS MOUNT ASSY	1
5	C2-RAM-M-BKT-A06	C2 RAM REAR LHS MOUNT ASSY	1

Installation Instructions

Canopy Fitment – Tools, Fasteners & Hardware

1.1

RAM 6.5 Overall Dimensions



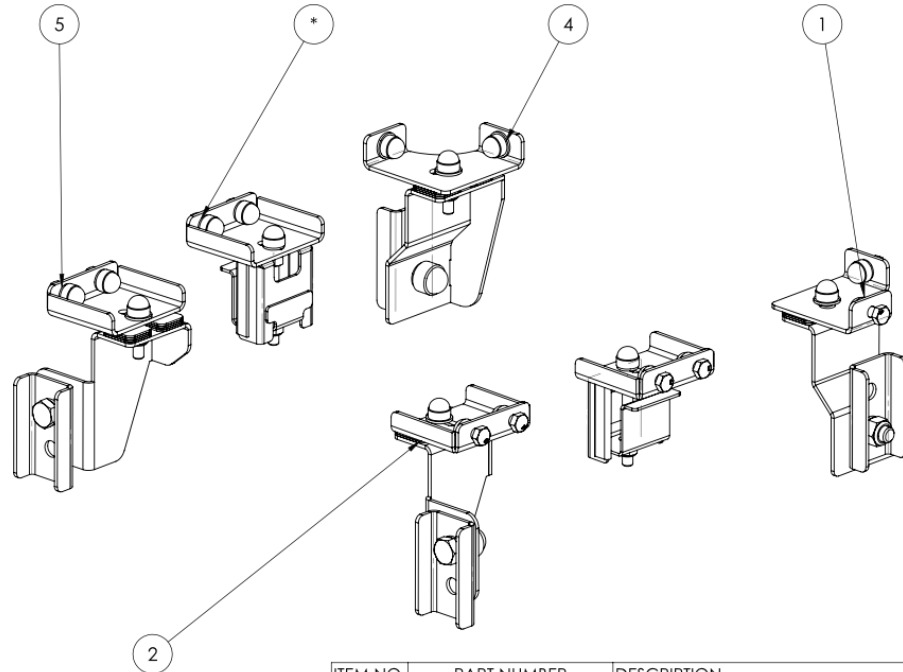
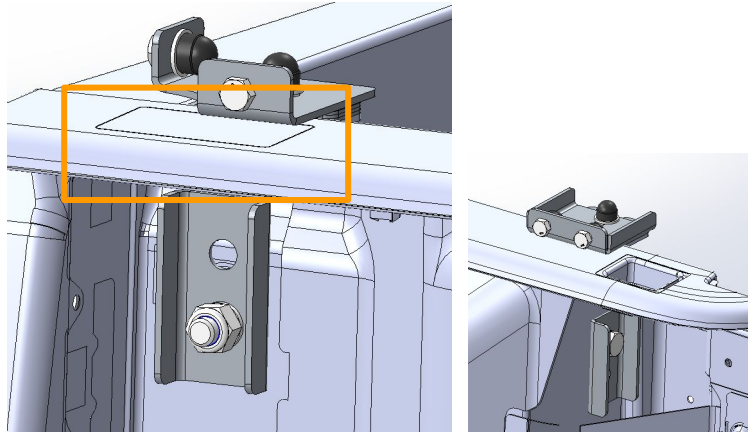
Installation Instructions

Canopy Fitment – Tools, Fasteners & Hardware

1.1

RAM 6.5 Mounting Kit

Access to bracket and nut through stake hole



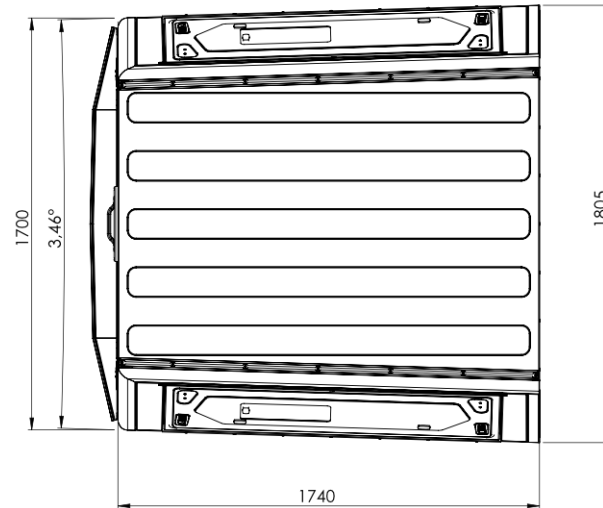
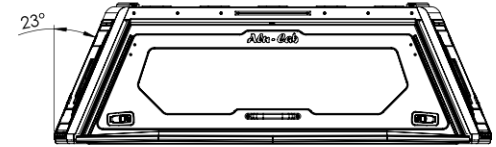
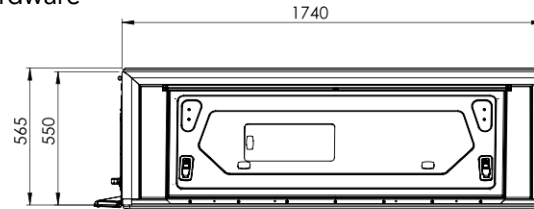
ITEM NO.	PART NUMBER	DESCRIPTION	QTY.
1	C2-RAM-M-BKT-A01	C2 RAM CANOPY RHS FRONT MOUNTING ASSY	1
2	C2-RAM-M-BKT-A02	C2 RAM CANOPY RHS REAR MOUNTING ASSY	1
3	C2-F150-M-BKT-A101-02	CANOPY CLAMP MOUNT SHORT ASSY	2
4	C2-RAM-M-BKT-A05	C2 RAM LHS MOUNT ASSY	1
5	C2-RAM-M-BKT-A06	C2 RAM REAR LHS MOUNT ASSY	1

Installation Instructions

Canopy Fitment – Tools, Fasteners & Hardware

1.1

F150 5.5 Overall dimensions

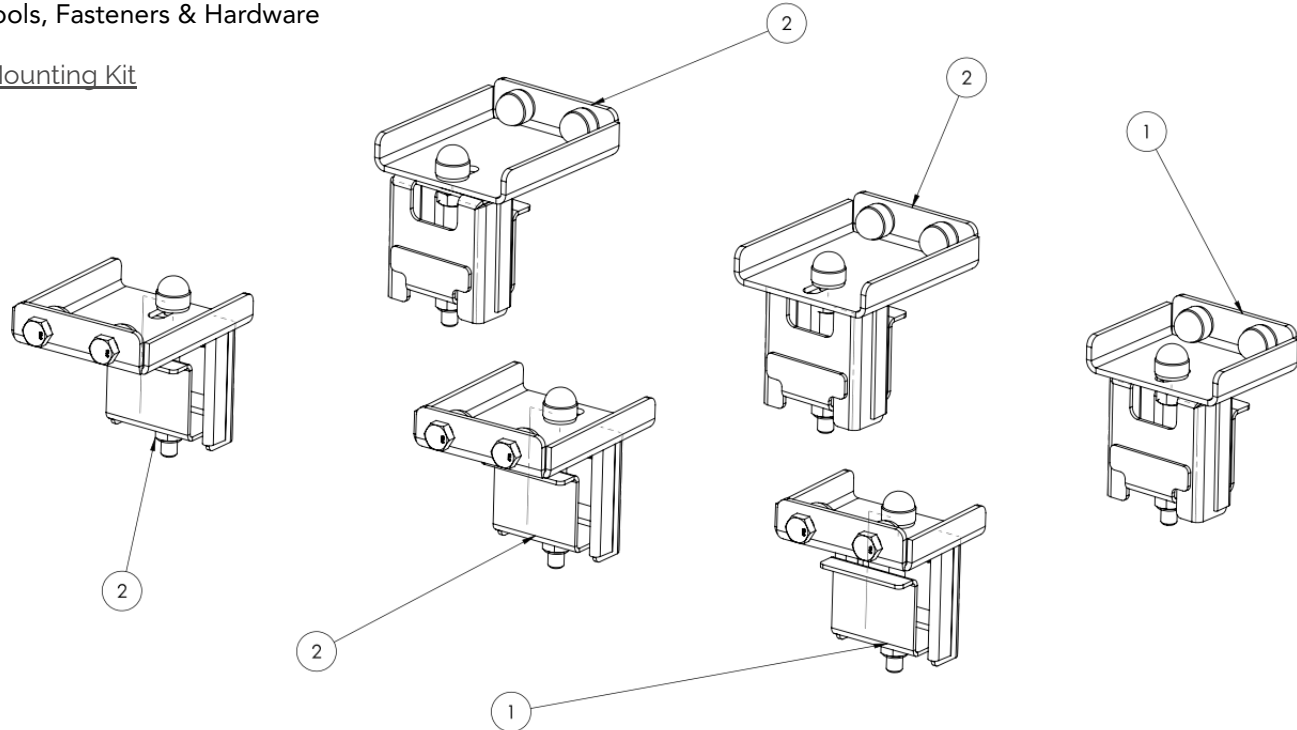


Installation Instructions

Canopy Fitment – Tools, Fasteners & Hardware

1.1

F150 5.5 Mounting Kit



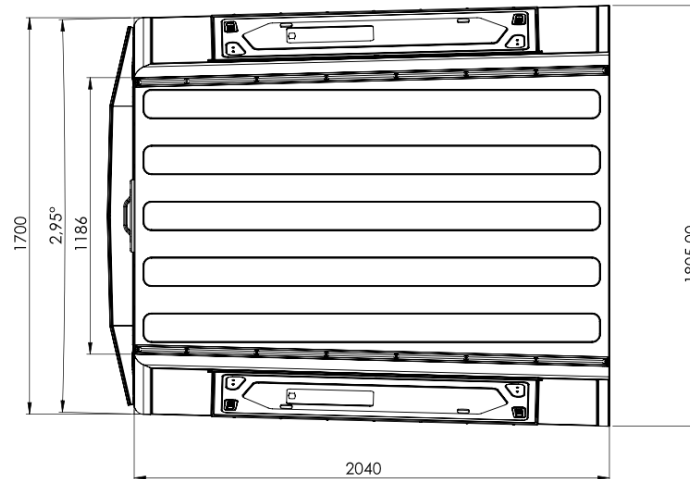
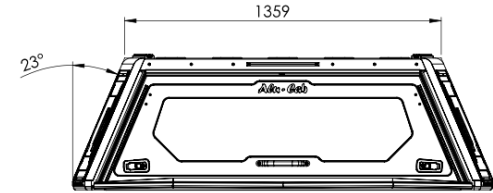
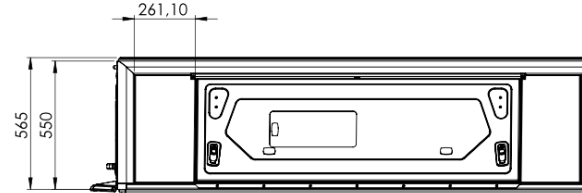
ITEM NO.	PART NUMBER	DESCRIPTION	QTY.
1	C2-F150-M-BKT-A101-02	CANOPY CLAMP MOUNT SHORT ASSY	2
2	C2-F150-M-BKT-A101-01	CANOPY CLAMP MOUNT LONG ASSY	4

Installation Instructions

Canopy Fitment – Tools, Fasteners & Hardware

1.1

F150 6.5 Overall Dimensions

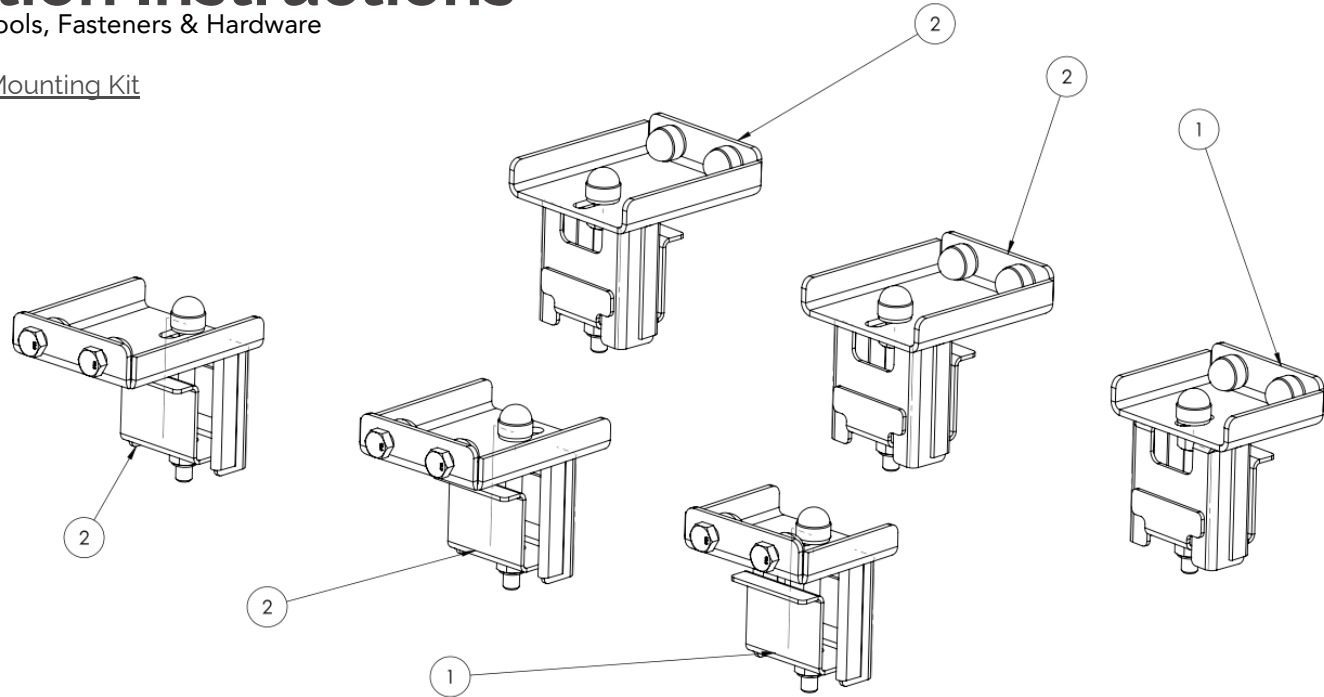


Installation Instructions

Canopy Fitment – Tools, Fasteners & Hardware

1.1

F150 6.5 Mounting Kit



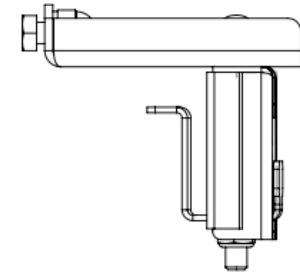
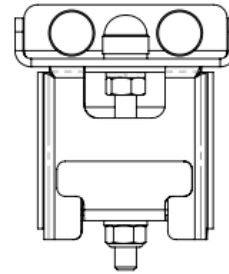
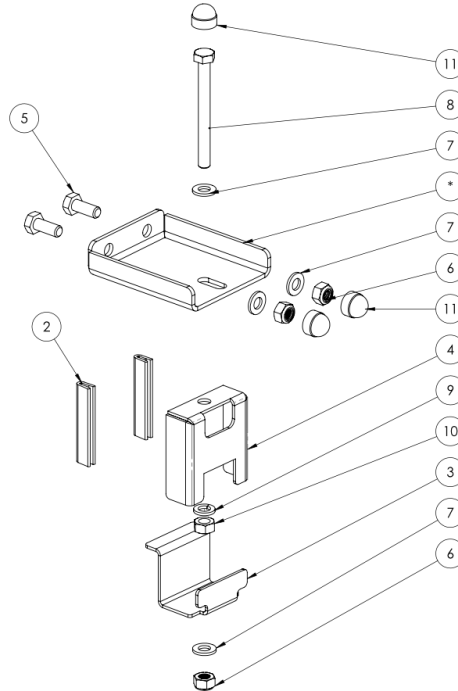
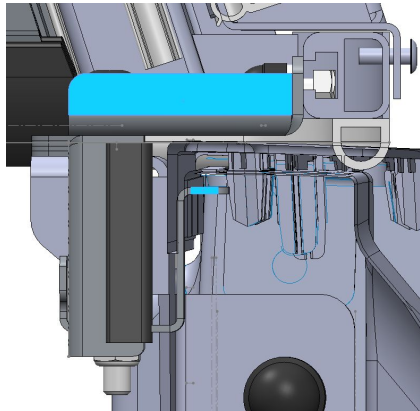
ITEM NO.	PART NUMBER	DESCRIPTION	QTY.
1	C2-F150-M-BKT-A101-02	CANOPY CLAMP MOUNT SHORT ASSY	2
2	C2-F150-M-BKT-A101-01	CANOPY CLAMP MOUNT LONG ASSY	4

Installation Instructions

Canopy Fitment – Tools, Fasteners & Hardware

1.1

C2-F150-M-BKT-A101-01 CANOPY CLAMP MOUNT LONG ASSY



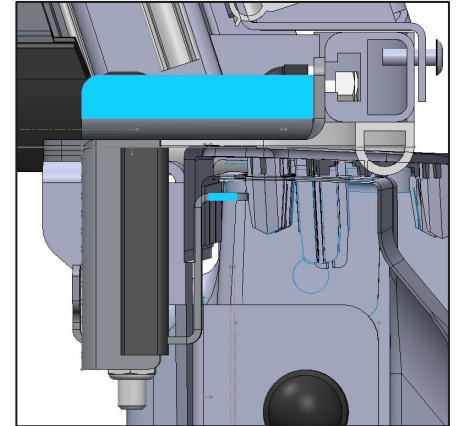
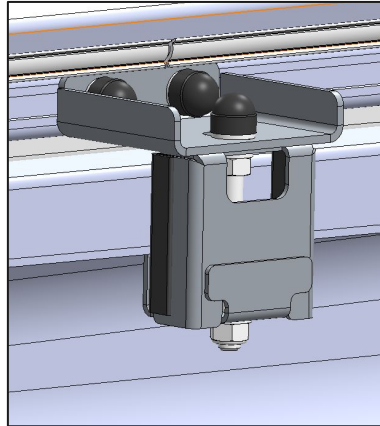
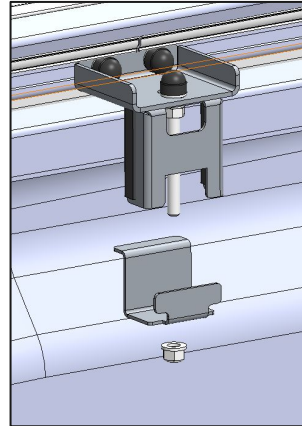
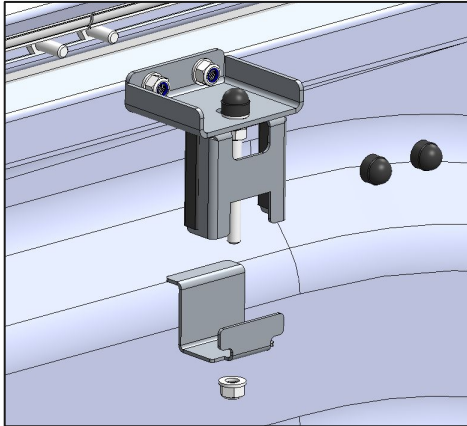
ITEM NO.	PART NUMBER	Revision	DESCRIPTION	QTY.
1	C2-F150-M-BKT-P101-02		F150 MOUNTING LONG	1
2	C2-F150-M-BKT-P004		Clamp Mount Pinch Weld	2
3	C2-F150-M-BKT-P102		F150 CLAMP BRKT	1
4	C2-F150-M-BKT-P103		F150 SLIDE GUIDE BRKT	1
5	HEX-M8x20		M8x20 HEX BOLT S/S	2
6	NY-M8		M8 NYLOC NUT S/S	3
7	FW-M8		M8x16mm FLAT WASHER S/S - DIN 125	4
8	HEX-M8x80		M8x80 HEX BOLT S/S	1
9	SW-M8		M8 SPRING WASHER S/S	1
10	NUT-M8		M8 HEX NUT S/S	1
11	NCAP-M8		NUT CAP-08mm	3

Installation Instructions

Canopy Fitment – Tools, Fasteners & Hardware

1.1

C2-F150-M-BKT-A101-01 CANOPY CLAMP MOUNT LONG ASSY



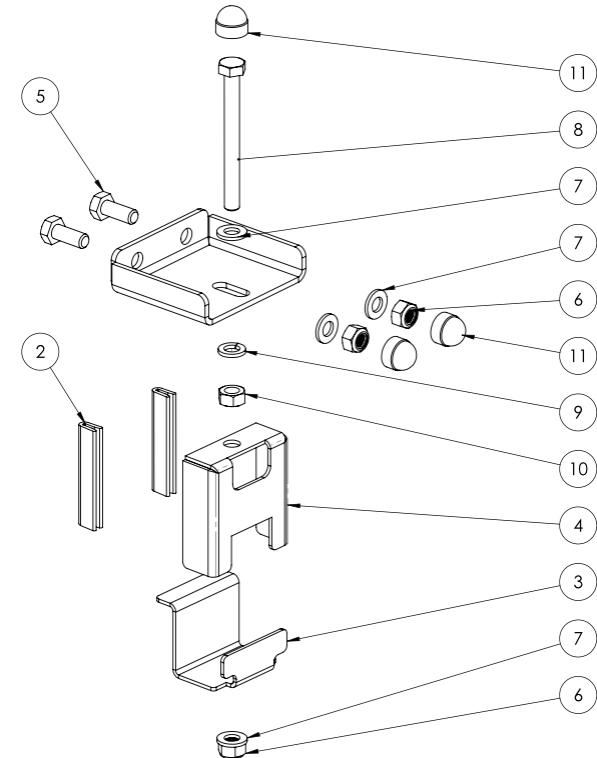
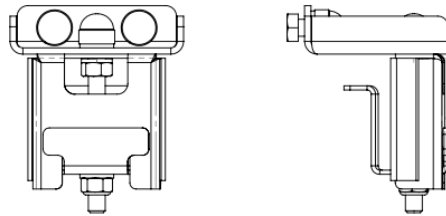
Installation Instructions

Canopy Fitment – Tools, Fasteners & Hardware

1.1

C2-F150-M-BKT-A101-02 CANOPY CLAMP MOUNT SHORT ASSY

ITEM NO.	PART NUMBER	Revision	DESCRIPTION	QTY.
1	C2-F150-M-BKT-P101-01		F150 MOUNT SHORT	1
2	C2-F150-M-BKT-P004		Clamp Mount Pinch Weld	2
3	C2-F150-M-BKT-P102		F150 CLAMP BRKT	1
4	C2-F150-M-BKT-P103		F150 SLIDE GUIDE BRKT	1
5	HEX-M8x20		M8x20 HEX BOLT S/S	2
6	NY-M8		M8 NYLOC NUT S/S	3
7	FW-M8		M8x1 6mm FLAT WASHER S/S - DIN 125	4
8	HEX-M8x80		M8x80 HEX BOLT S/S	1
9	SW-M8		M8 SPRING WASHER S/S	1
10	NUT-M8		M8 HEX NUT S/S	1
11	NCAP-M8		NUT CAP-08mm	3

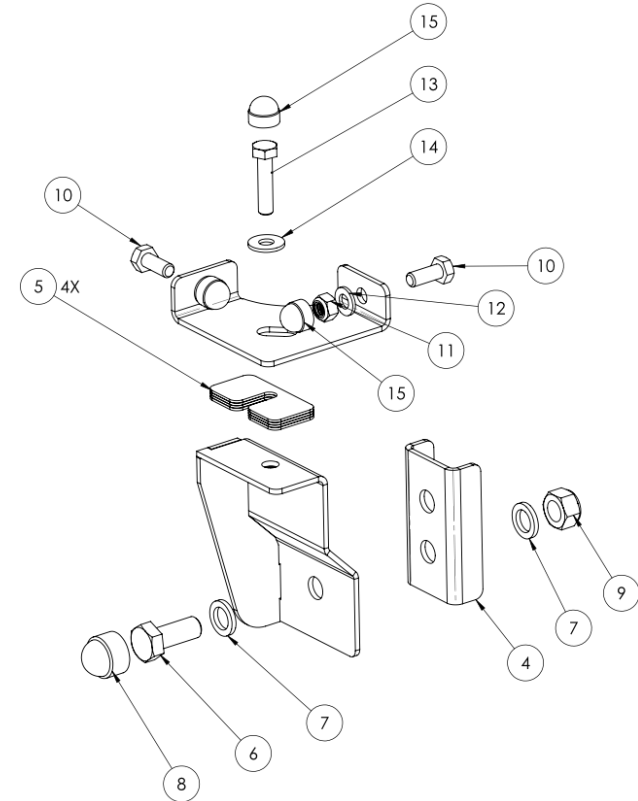
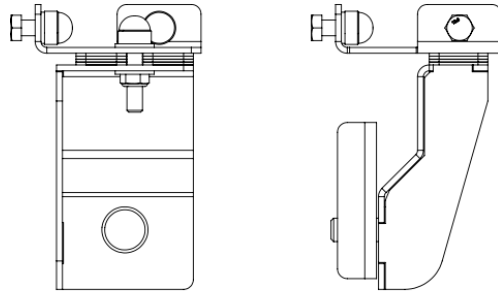


Installation Instructions

Canopy Fitment – Tools, Fasteners & Hardware

1.1

C2-RAM-M-BKT-A01 C2 RAM CANOPY RHS FRONT MOUNTING ASSY



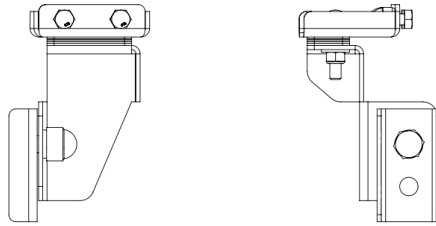
ITEM NO.	PART NUMBER	DESCRIPTION	QTY.
1	C2-RAM-M-BKT-P001	C2 RAM FRONT RHS MOUNT BRKT	1
2	C2-RAM-M-BKT-P004	C2 RAM FRONT RHS MOUNT BRKT	1
3	C2-RAM-M-BKT-P002	C2 RAM FRONT SLOT MOUNT	1
4	165-RAM-BCK-PLT-BND-01	BACKING PLATE FOR MOUNTING	1
5	AC001-STD-SHIM-02	SHIM PLATE 2	4
6	HEX-M12X30	M12X30 HEX BOLT S/S	1
7	FW-M12	12mm FLAT WASHER (ID - 13; OD - 20; T 1.8 - 2.2) DIN - 433	2
8	NCAP-M12	NUT CAP-012mm	1
9	NY-M12	M12 NYLOC NUT S/S	1
10	HEX-M8x20	M8x20 HEX BOLT S/S	2
11	NY-M8	M8 NYLOC NUT S/S	3
12	FW-M8	M8x16mm FLAT WASHER S/S - DIN 125	2
13	HEX-M8x35	M8x35 HEX BOLT S/S	1
14	FFW-M8	M8x20mm OVERSIZED WASHER S/S - DIN 9021	2
15	NCAP-M8	NUT CAP-08mm	3

Installation Instructions

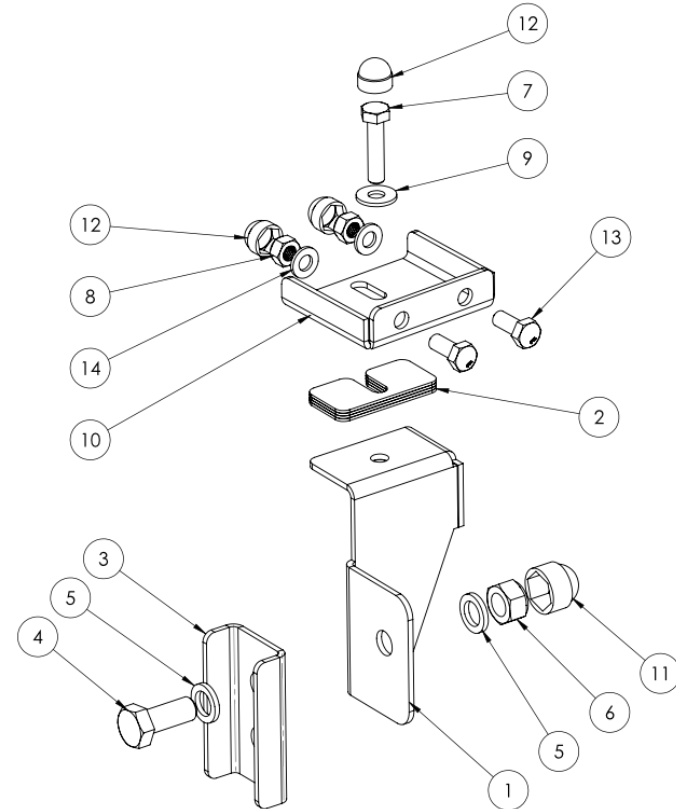
Canopy Fitment – Tools, Fasteners & Hardware

1.1

C2-RAM-M-BKT-A02 C2 RAM CANOPY RHS REAR MOUNTING ASSY



ITEM NO.	PART NUMBER	DESCRIPTION	
1	C2-RAM-M-BKT-P003	C2 RAM REAR RHS MOUNT BKT	1
2	AC001-STD-SHIM-02	SHIM PLATE 2	4
3	165-RAM-BCK-PLT-BND-01	BACKING PLATE FOR MOUNTING	1
4	HEX-M12X30	M12X30 HEX BOLT S/S	1
5	FW-M12	12mm FLAT WASHER (ID - 13; OD - 20; T 1.8 - 2.2) DIN - 433	2
6	NY-M12	M12 NYLOC NUT S/S	1
7	HEX-M8x35	M8x35 HEX BOLT S/S	1
8	NY-M8	M8 NYLOC NUT S/S	3
9	FFW-M8	M8x20mm OVERSIZED WASHER S/S - DIN 9021	2
10	C2-F150-M-BKT-P101-01	F1 50 MOUNT SHORT	1
11	NCAP-M12	NUT CAP-012mm	1
12	NCAP-M8	NUT CAP-08mm	3
13	HEX-M8x20	M8x20 HEX BOLT S/S	2
14	FW-M8	M8x16mm FLAT WASHER S/S - DIN 125	2

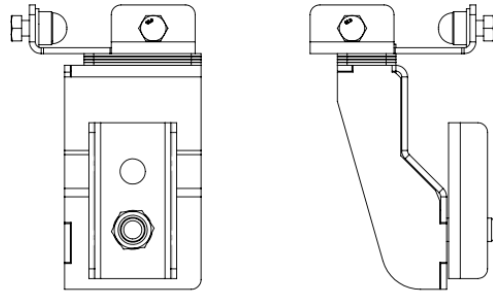


Installation Instructions

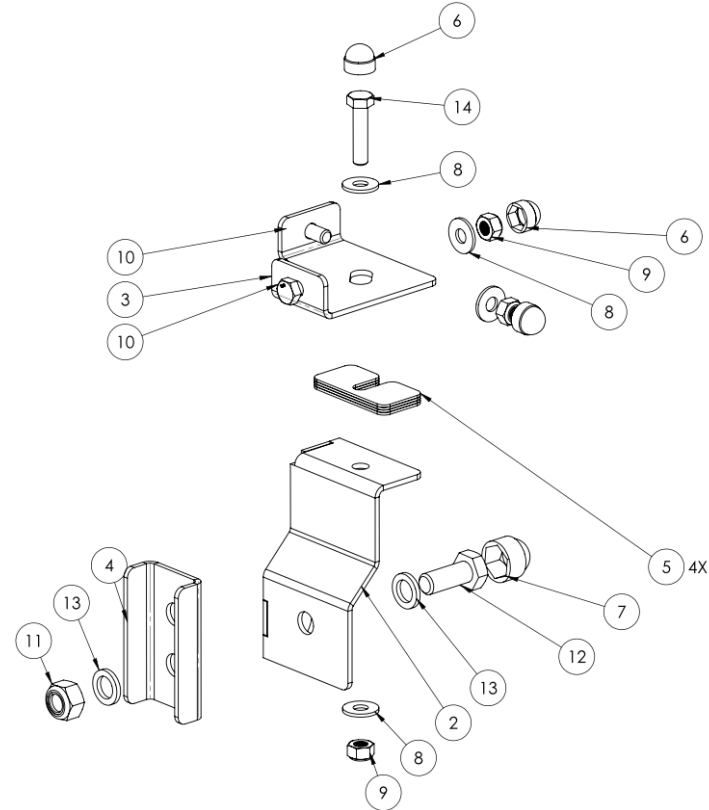
Canopy Fitment – Tools, Fasteners & Hardware

1.1

C2-RAM-M-BKT-A05 C2 RAM LHS MOUNT ASSY



ITEM NO.	PART NUMBER	DESCRIPTION	
1	C2-RAM-M-BKT-P004	C2 RAM FRONT RHS MOUNT BRKT	1
2	C2-RAM-M-BKT-P006	C2 RAM FRONT LHS MOUNT BRKT	1
3	C2-RAM-M-BKT-P002	C2 RAM FRONT SLOT MOUNT	1
4	165-RAM-BCK-PLT-BND-01	BACKING PLATE FOR MOUNTING	1
5	AC001-STD-SHIM-02	SHIM PLATE 2	4
6	NCAP-M8	NUT CAP-08mm	3
7	NCAP-M12	NUT CAP-012mm	1
8	FFW-M8	M8x20mm OVERSIZED WASHER S/S - DIN 9021	4
9	NY-M8	M8 NYLOC NUT S/S	3
10	HEX-M8x20	M8x20 HEX BOLT S/S	2
11	NY-M12	M12 NYLOC NUT S/S	1
12	HEX-M12X30	M12X30 HEX BOLT S/S	1
13	FW-M12	12mm FLAT WASHER (ID - 13; OD - 20; T 1.8 - 2.2) DIN - 433	2
14	HEX-M8x35	M8x35 HEX BOLT S/S	1

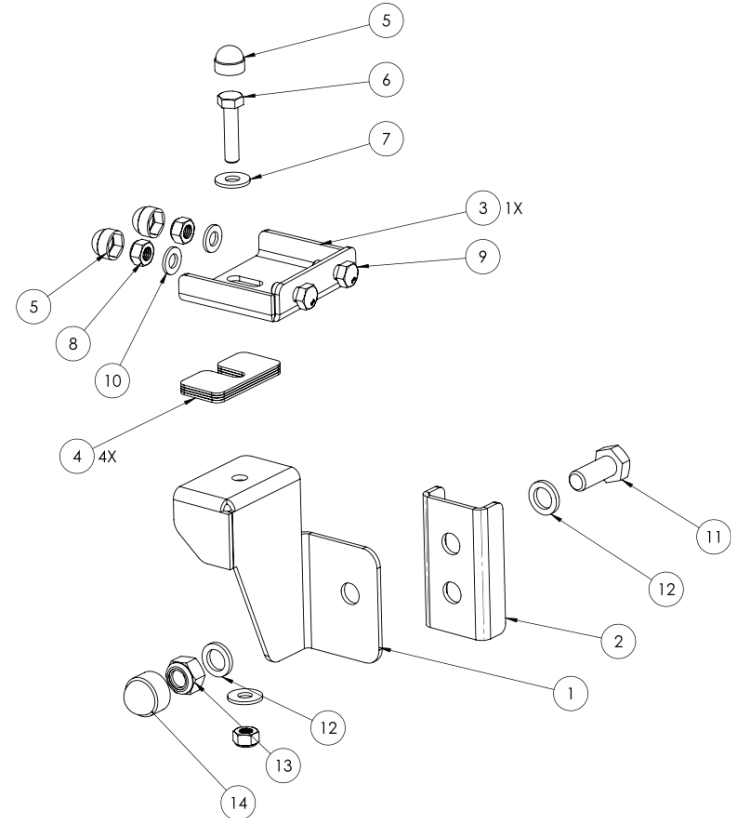
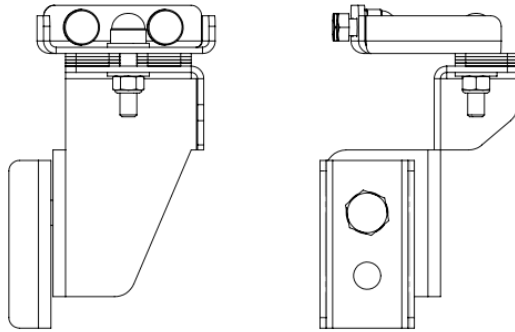


Installation Instructions

Canopy Fitment – Tools, Fasteners & Hardware

1.1

C2-RAM-M-BKT-A06 C2 RAM REAR LHS MOUNT ASSY



ITEM NO.	PART NUMBER	DESCRIPTION	QTY.
1	C2-RAM-M-BKT-P005	C2-RAM REAR LHS MOUNT BKT	1
2	165-RAM-BCK-PLT-BND-01	BACKING PLATE FOR MOUNTING	1
3	C2-F150-M-BKT-P101-01	F150 MOUNT SHORT	1
4	AC001-STD-SHIM-02	SHIM PLATE 2	4
5	NCAP-M8	NUT CAP-08mm	3
6	HEX-M8x35	M8x35 HEX BOLT S/S	1
7	FFW-M8	M8x20mm OVERSIZED WASHER S/S - DIN 9021	2
8	NY-M8	M8 NYLOC NUT S/S	3
9	HEX-M8x20	M8x20 HEX BOLT S/S	2
10	FW-M8	M8x16mm FLAT WASHER S/S - DIN 125	2
11	HEX-M12X30	M12X30 HEX BOLT S/S	1
12	FW-M12	12mm FLAT WASHER (ID - 13; OD - 20; T 1.8 - 2.2) DIN - 433	2
13	NY-M12	M12 NYLOC NUT S/S	1
14	NCAP-M12	NUT CAP-012mm	1