

FITMENT INSTRUCTIONS

Alu-Cab™

ISUZU 2020 CANOPY CAMPER Double Cab and Extra Cab



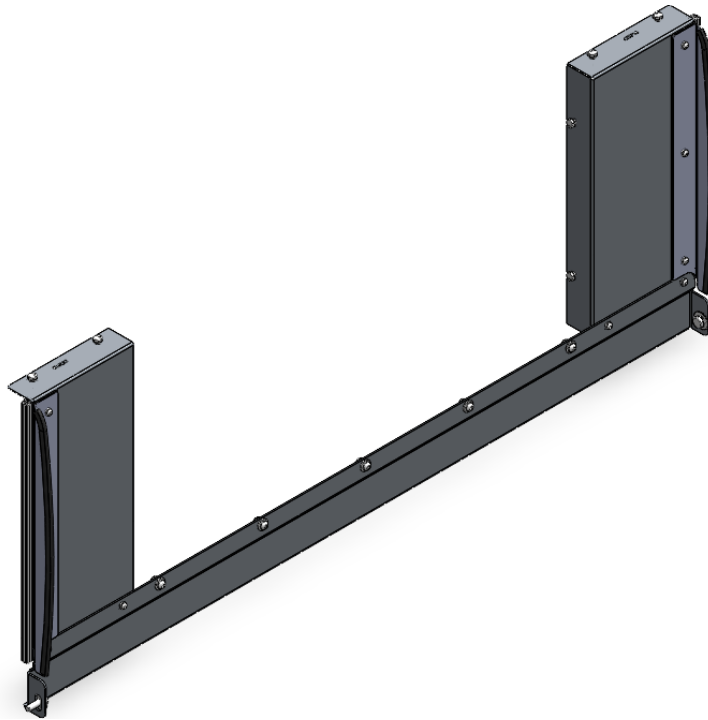
All rights reserved. No part of this document may be reproduced, translated, stored in a retrieval system, or transmitted, in any form or by any means, electronic, mechanical, photocopying, recording or otherwise, without prior written permission of the owner.

Review all instructions information carefully before installation.

Any damages, direct or incidental to the installer and/or property due to incorrect installation of any parts are the responsibility of the installer. Due to the various applications and fitment options available, the responsibility lies with the user to ensure all mounting points are secure and tight before every trip. If unsure, consult with your Distributor regarding the operations of our products.

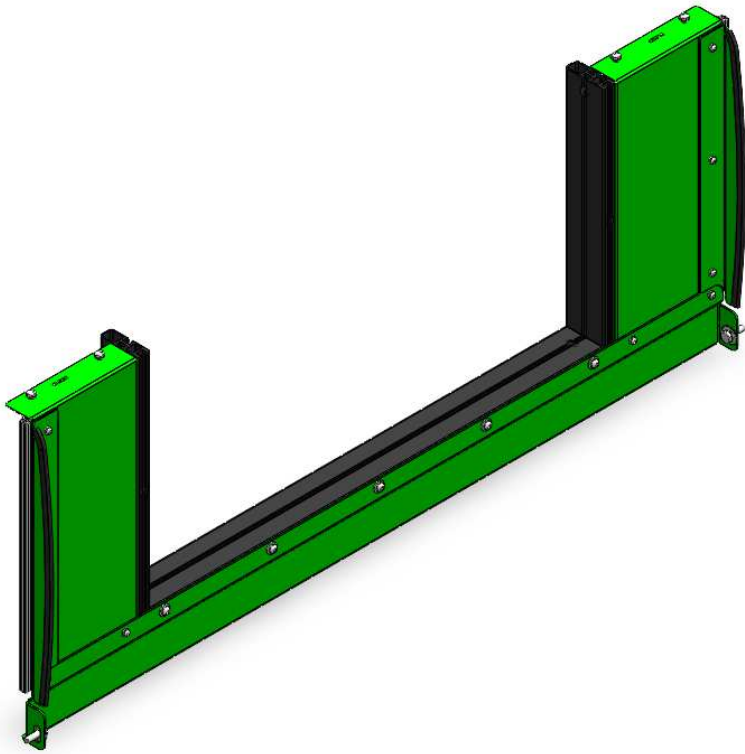
Users are advised to be mindful of the load they are carrying and drive in accordance with road conditions.

1.Rear filler panel assembly.

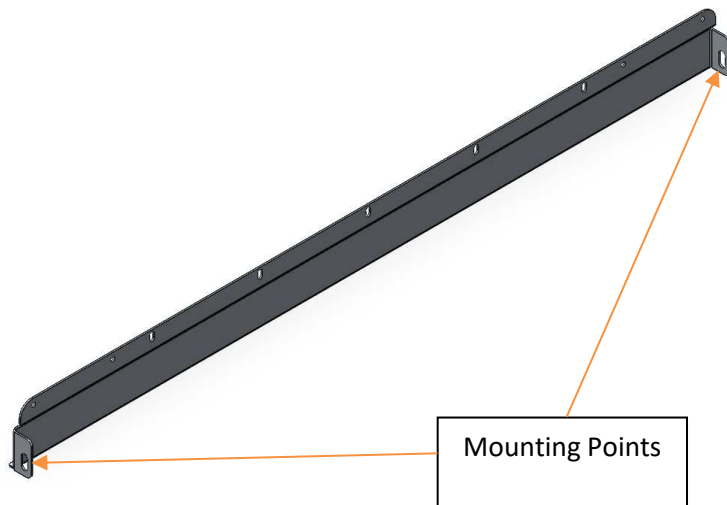


ITEM NO.	PART NUMBER	DESCRIPTION	QTY
1	162-IZ20-RER-BOT-COV-PLT-01	REAR BOTTOM COVER PLATE	1
2	162-IZ20-INNER-BOX-LH-01	INNER BOX LH	1
3	162-IZ20-INNER-BOX-RH-01	INNER BOX RH	1
4	162-IZ20-SHD-RER-LH-01	ISUZU CC REAR LIGHT SHIELD LH	1
5	162-IZ20-SHD-RER-RH-01	ISUZU CC REAR LIGHT SHIELD RH	1
6	CAGE-M6	M6 CAGE NUT	10
7	BHD-M6x16	M6x16 B/HD BOLT S/S	10
8	SW-M8	M8 SPRING WASHER S/S	5
9	FW-M6	M6x12mm FLAT WASHER S/S - DIN 125	10
10	SW-M6	M6 SPRING WASHER S/S	10
11	FFW-M8	M8x20mm OVERSIZED WASHER S/S - DIN 9021	5
12	BHD-M8x16	M8x16 B/HD BOLT S/S	5
13	NUT-M8	M8 HEX NUT S/S	5
14	HEX-M8x20	M8x20 HEX BOLT S/S	8
15	NCAP-M8	NUT CAP-08mm	8
16	NY-M8	M8 NYLOC NUT S/S	8
17	FW-M8	M8x16mm FLAT WASHER S/S - DIN 125	8
18	SPNG-RUB-325 - (454.5mm)	SPONGE RUBBER - 3X25mm	4
19	HEX-M10X30-1.25P	M10X30 HEX BOLT S/S - 1.25 PITCH	2
20	FFW-M10	M10x30mm OVERSIZED WASHER S/S - DIN 9021	2
21	SW-M10	M10 SPRING WASHER S/S	2
22	RUB-MDS - (0.48m)	MIDGET DOOR SEAL 480mm	2
23	RUB-P - (0.5m)		2

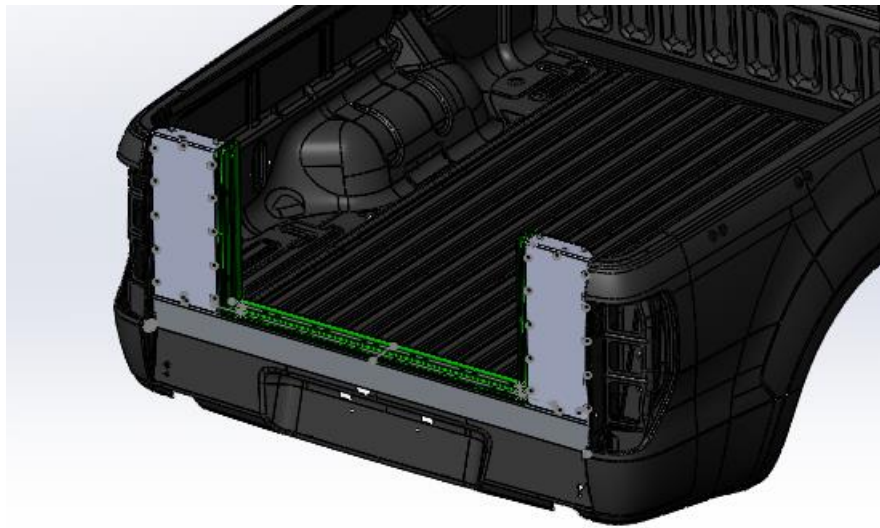
2. Fit lower door frame to filler panel assembly as shown.



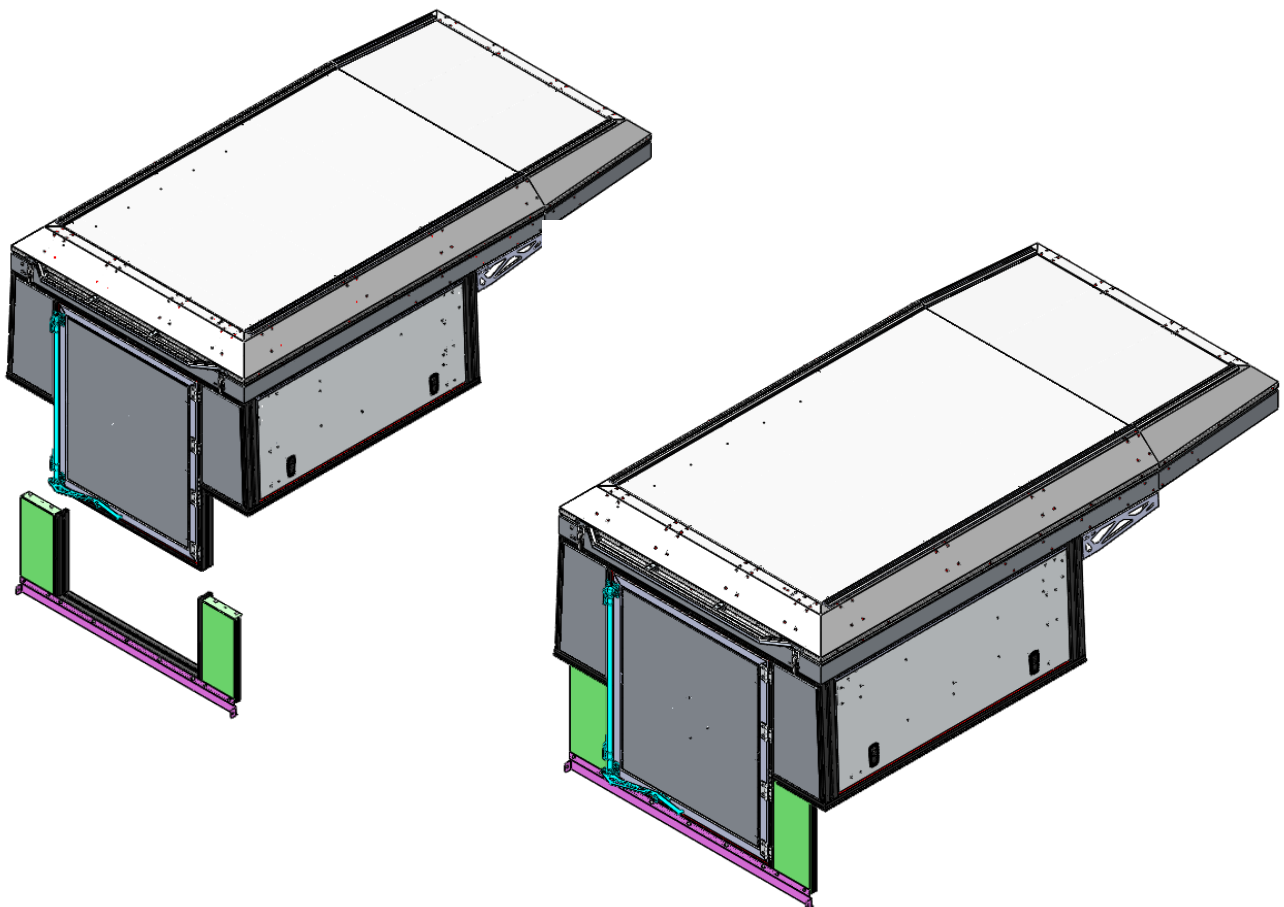
3. Rear bottom support bracket.



3. Mount filler panel assembly to load bin as shown.



4. Then mount canopy camper base unit on top of load bin.

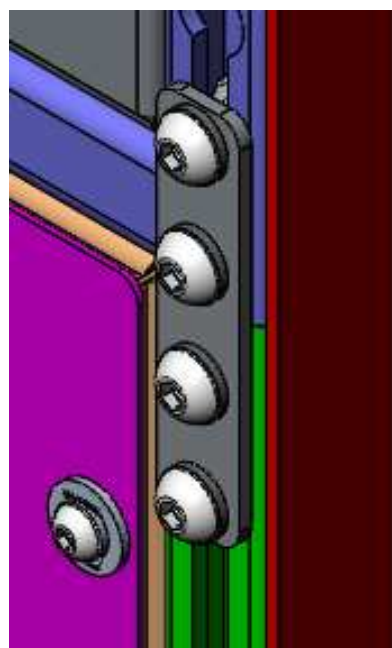


WARNING

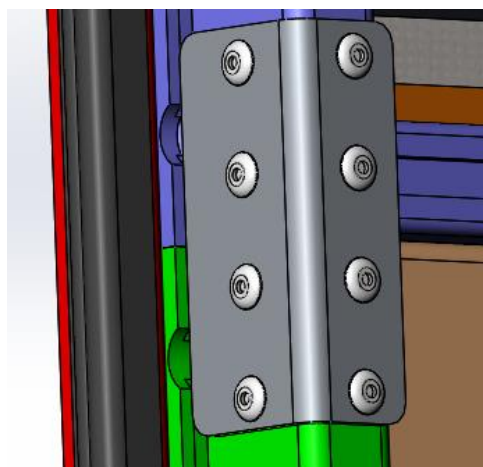
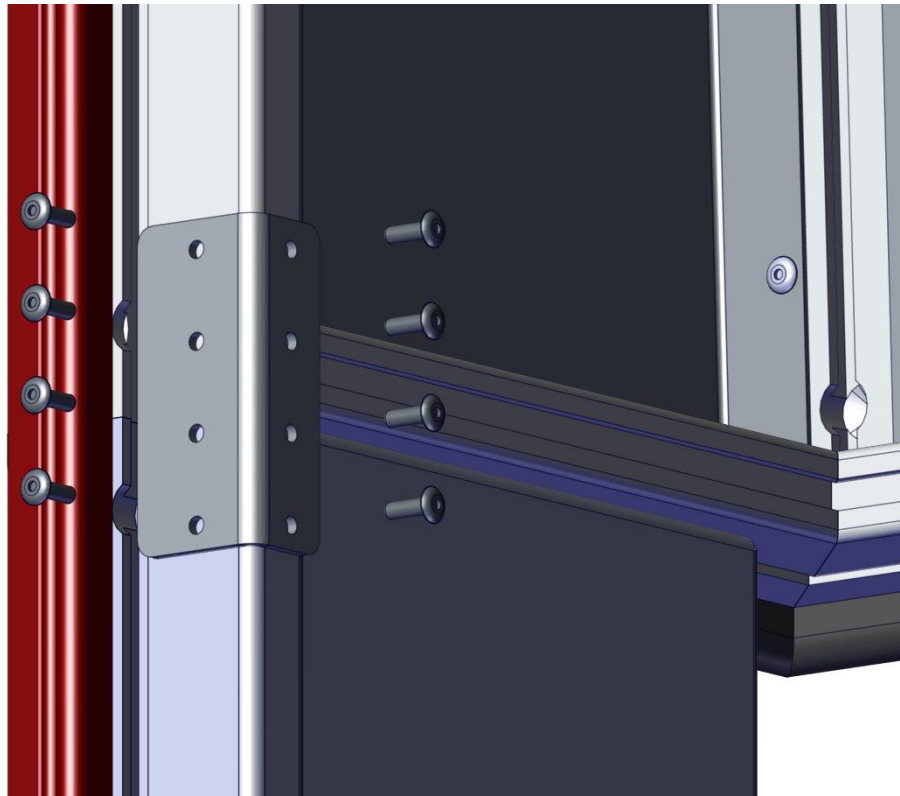
Always wear appropriate PPE (Personal protection equipment) when fitting this product. Although the mounting kit is designed to be DIY, if you have any doubts or concerns, contact an accredited fitment centre to carry out the work. Alu-Cab will not be liable for any injury to persons, and/or damage to products and/or vehicles.

5.1.Connect rear filler panel assembly and base unit as shown.

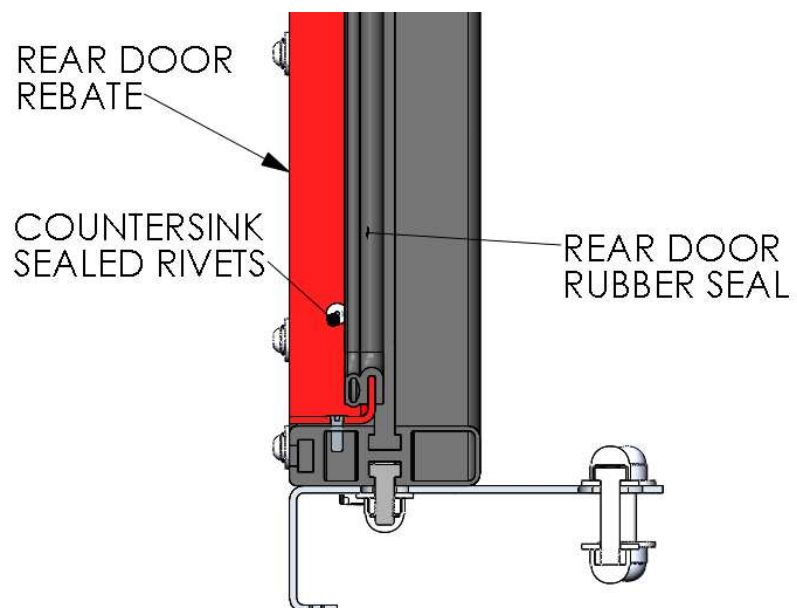
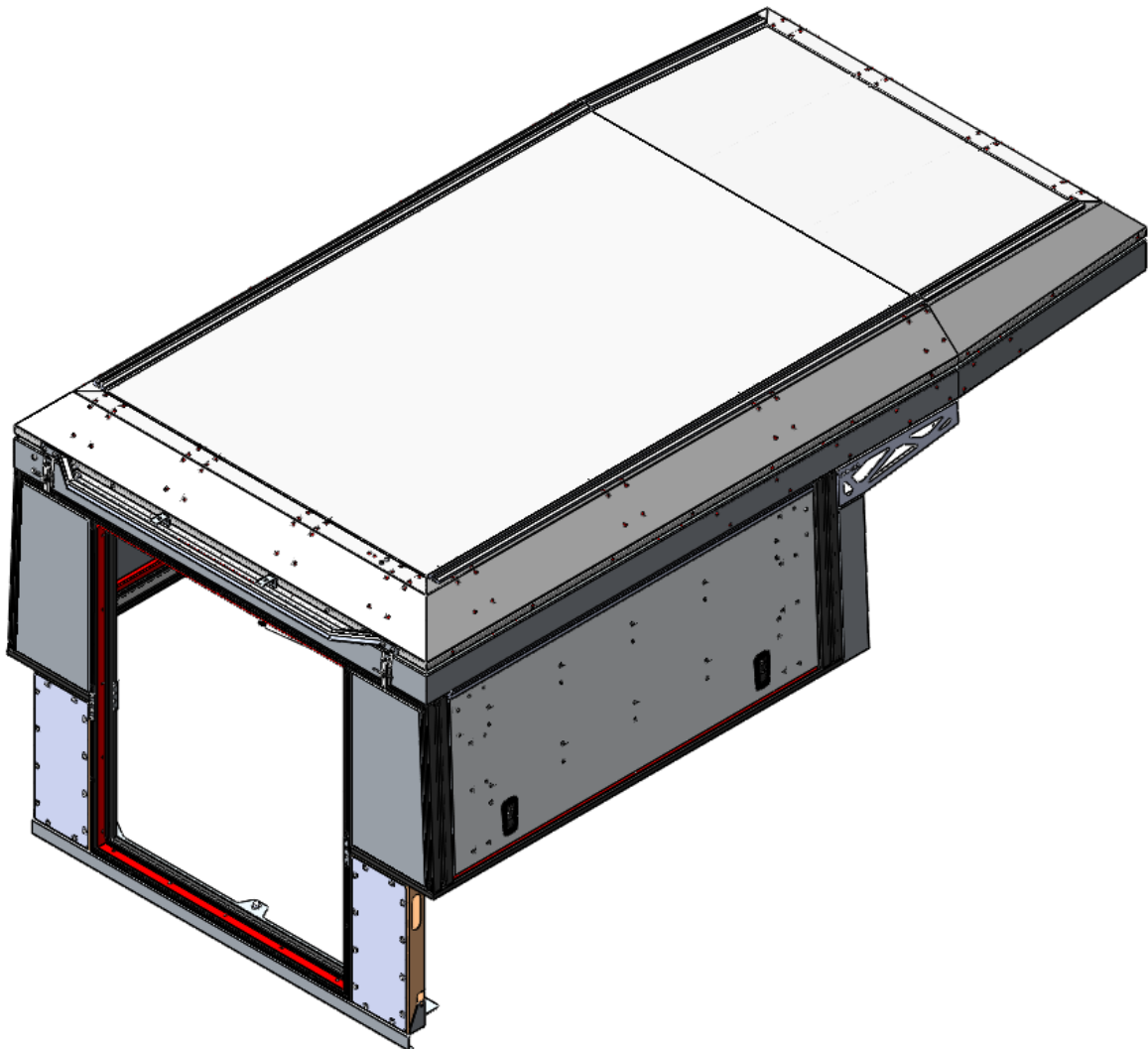
OUTER MOUNTING ON BOTH JOINTS



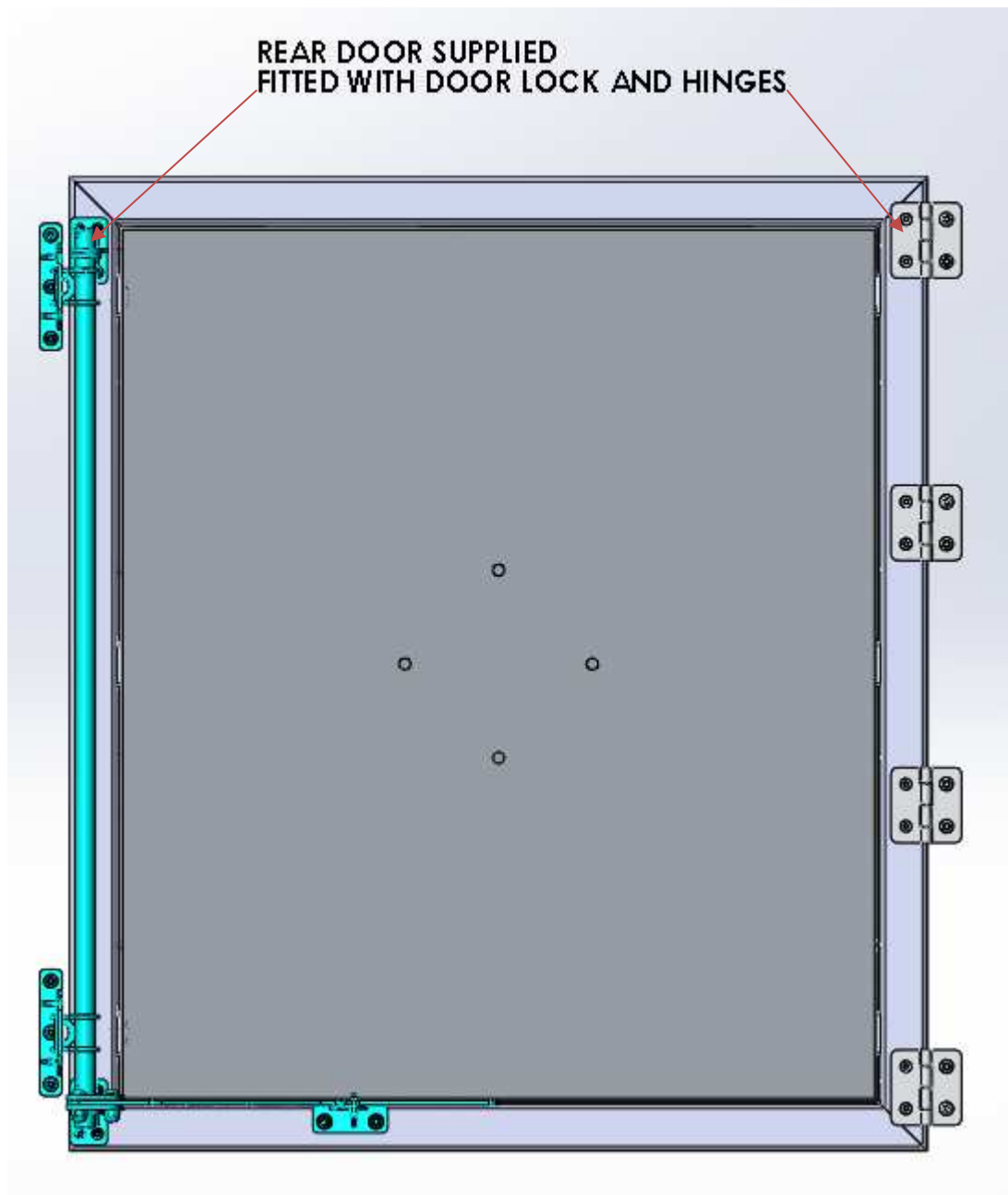
5.2. INNER MOUNTING ON BOTH JOINTS



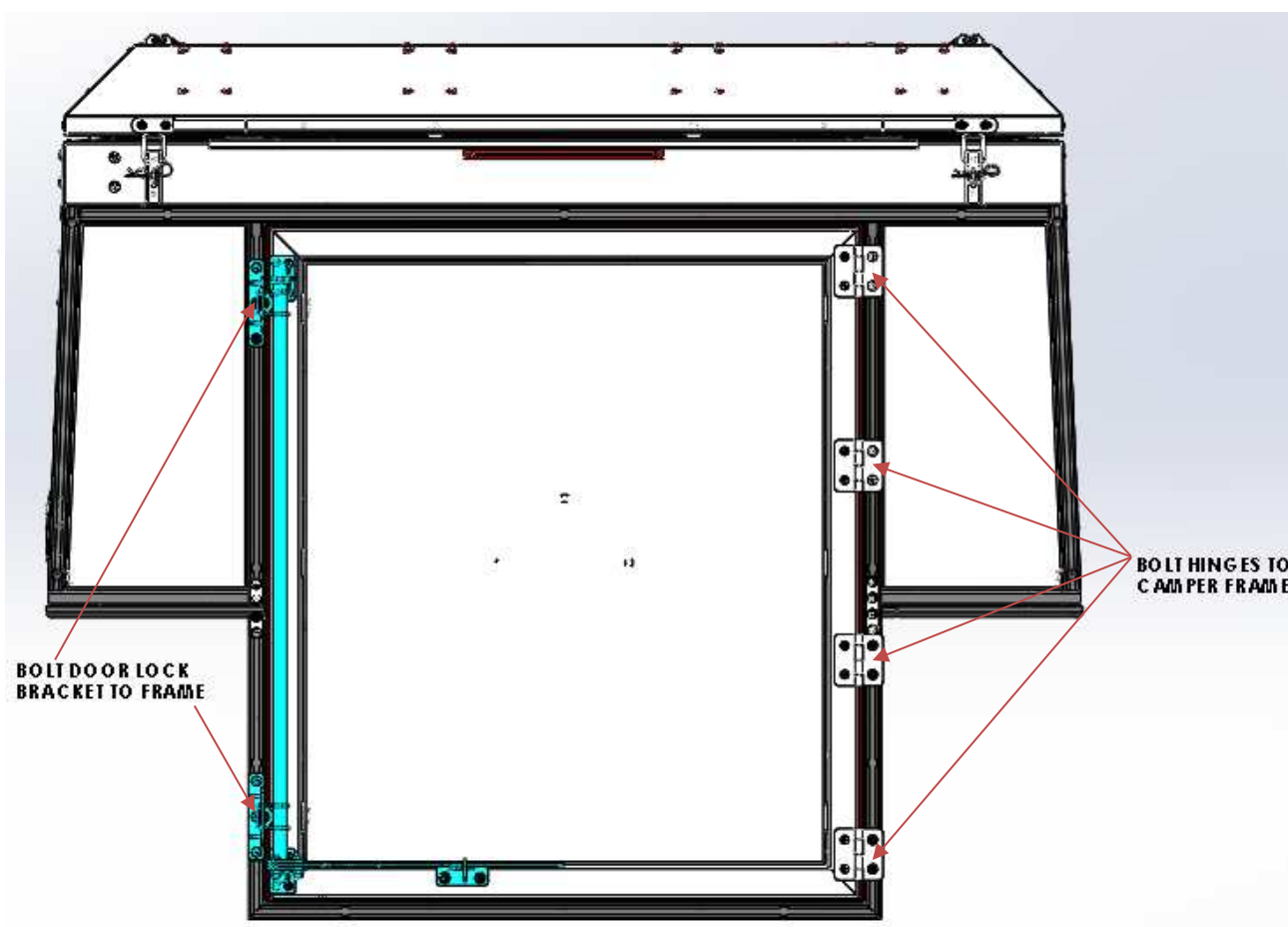
6. Fit rear door rebate with $\text{Ø}4.8 \times 15$ sealed countersink rivets as shown.



7. Fit rear door by mounting 4 x Butt hinges to camper frame as shown. Centre rear door, top to bottom and the hinge centres left to right. Also mount the door lock to the camper frame.



8. Attach hinges and lock to camper frame.



1. Canopy Camper Fitment – Tools, Fasteners & Materials

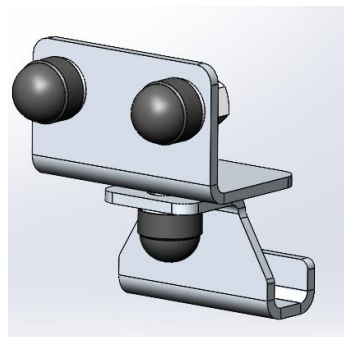
The tables below show the equipment, i.e. tools and fasteners required to start the canopy fitment.

1.1. Tools Required:

<u>TOOL</u>
• Ratchet
• T-40 Spline Socket
• 13mm Socket
• 13mm Ring Flat Spanner

2. Canopy Camper Fitment Mounting Brackets

2.1. Center Mount Brackets

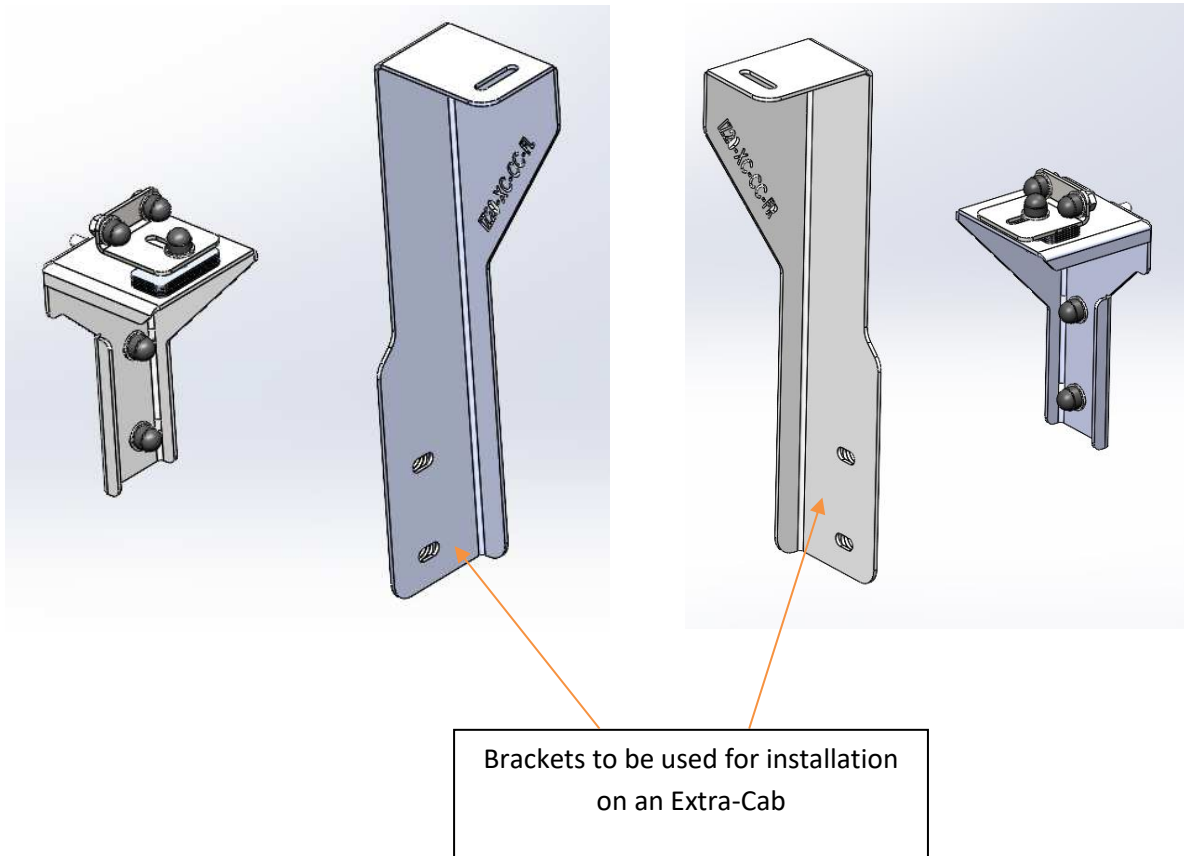


ITEM NO.	PART NUMBER	DESCRIPTION	QTY
1	CMB-000-002	BOTTOM MOUNT BRACKET	2
2	162-REVO-CNT-MNT-ANG-01	CENTRE MOUNTING ANGLE	2
3	FW-M8	M8x16mm FLAT WASHER S/S - DIN 125	6
4	NY-M8	M8 NYLOC NUT S/S	6
5	HEX-M8x25	M8x25 HEX BOLT S/S	2
6	FFW-M8	M8x20mm OVERSIZED WASHER S/S - DIN 9021	2
7	HEX-M8x20	M8x20 HEX BOLT S/S	4
8	NCAP-M8	NUT CAP-08mm	6

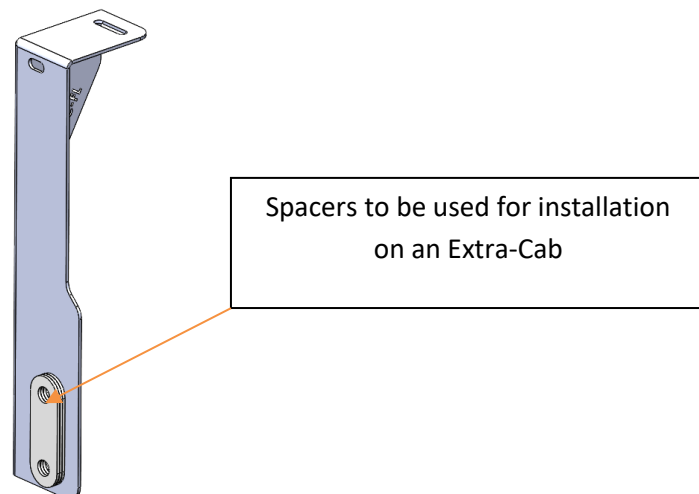
2.2. Front mounting brackets LH & RH Assemblies

See BOM below for each assembly.

ITEM NO.	PART NUMBER	DESCRIPTION	QTY
LEFT HAND FRONT MOUNTING KIT			
1	NCAP-M8	NUT CAP-08mm	6
2	FFW-M8	M8x20mm OVERSIZED WASHER S/S - DIN 9021	7
3	HEX-M8x30	M8x30 HEX BOLT S/S	3
4	SW-M8	M8 SPRING WASHER S/S	3
5	162-CC-IZ20-FNT-MNT-LH-BRKT-01	FRONT MOUNTING LH BRACKET	1
6	403-BOT-MNT-BRKT-01	BOTTOM MOUNTING BRACKET	1
7	HEX-M8x35	M8x35 HEX BOLT S/S	1
8	HEX-M8x20	M8x20 HEX BOLT S/S	2
9	NY-M8	M8 NYLOC NUT S/S	3
10	AC001-STD-SHIM-02	SHIM PLATE 2	6
11	162-CC-IZ20XC-FNT-MNT-BRKT-LH-01	ISUZU 2020 XC FRONT MOUNT BRACKET LH	1
12	293-IZ20-FNT-SHIM-01	FRONT SHIM	3
RIGHT HAND FRONT MOUNTING KIT			
1	NCAP-M8	NUT CAP-08mm	7
2	SW-M8	M8 SPRING WASHER S/S	2
3	FFW-M8	M8x20mm OVERSIZED WASHER S/S - DIN 9021	7
4	HEX-M8x30	M8x30 HEX BOLT S/S	3
5	162-CC-IZ20-FNT-MNT-RH-BRKT-01	FRONT MOUNTING BRACKET RH	1
6	403-BOT-MNT-BRKT-01	BOTTOM MOUNTING BRACKET	1
7	HEX-M8x35	M8x35 HEX BOLT S/S	1
8	HEX-M8x20	M8x20 HEX BOLT S/S	2
9	NY-M8	M8 NYLOC NUT S/S	3
10	AC001-STD-SHIM-02	SHIM PLATE 2	6
11	162-CC-IZ20XC-FNT-MNT-BRKT-RH-01	ISUZU 2020 XC FRONT MOUNT BRACKET RH	1
12	293-IZ20-FNT-SHIM-01	FRONT SHIM	3



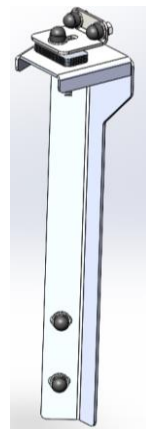
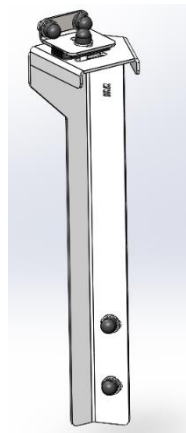
Note: The Kit is suitable for an Extra-Cab as well as a Double-Cab, the Extra cab brackets are marked as **XC**, the Double-Cab brackets are the front brackets that are not marked. When using the XC brackets ensure to use the spacers in the back to correct the recessed forming in the load bin.



The fastening hardware is suitable to be used on both kits, when using the XC kit the same top mounting brackets are usable.

2.3. Rear mounting brackets LH & RH Assemblies

See BOM below for each assembly.



ITEM NO.	PART NUMBER	DESCRIPTION	QTY
LEFT HAND REAR MOUNT			
1	HEX-M8x30	M8x30 HEX BOLT S/S	3
2	SW-M8	M8 SPRING WASHER S/S	3
3	FFW-M8	M8x20mm OVERSIZED WASHER S/S - DIN 9021	7
4	NCAP-M8	NUT CAP-08mm	6
5	HEX-M8x35	M8x35 HEX BOLT S/S	1
6	162-CC-IZ20-LH-RER-MNT-BRKT-01	REAR MOUNT BRKT LH	1
7	403-BOT-MNT-BRKT-01	BOTTOM MOUNTING BRACKET	1
8	162-JPGLAD-BUSH-01	NYLON SPACER BUSH	1
9	HEX-M8x20	M8x20 HEX BOLT S/S	2
10	NY-M8	M8 NYLOC NUT S/S	3
11	AC001-STD-SHIM-02	SHIM PLATE 2	6
RIGHT HAND REAR MOUNT			
1	FFW-M8	M8x20mm OVERSIZED WASHER S/S - DIN 9021	7
2	SW-M8	M8 SPRING WASHER S/S	3
3	HEX-M8x30	M8x30 HEX BOLT S/S	3
4	NCAP-M8	NUT CAP-08mm	6
5	162-CC-IZ20-RH-RER-MNT-BRKT-01	REAR MOUNT BRKT RH	1
6	403-BOT-MNT-BRKT-01	BOTTOM MOUNTING BRACKET	1
7	162-JPGLAD-BUSH-01	NYLON SPACER BUSH	1
8	HEX-M8x20	M8x20 HEX BOLT S/S	2
9	AC001-STD-SHIM-02	SHIM PLATE 2	6
10	HEX-M8x35	M8x35 HEX BOLT S/S	1
11	NY-M8	M8 NYLOC NUT S/S	3

3. Images showing front mounting position of mounting brackets in load bin

