



FITMENT INSTRUCTIONS

MITSUBISHI TRITON L200 (DC) CANOPY FITMENT INSTRUCTION

Preliminary Information

Installation and fitment instructions including tools required, fasteners included in kit, and the hardware included in kit. Please follow the instructions and check installation actions with the images in this document.



Please be sure to lay out all parts provided on a table or flat surface in order to check that all required parts are accounted for and prevent potential frustration at a later stage.

Installation Instructions

1

Canopy Fitment – Tools, Fasteners & Materials The tables below show the equipment, i.e. tools and fasteners required to start the canopy fitment for a Mitsubishi Triton L200 Double Cab. This fitment instruction is applicable to the Mitsubishi Triton L200 Double Cab 2016+.

1.1

Tools & Items Required

TOOL
Ratchet
Hand Drill
13mm Socket
13mm Ring Flat Spanner

1.2

Fasteners Supplied (included with canopy)

ITEM	QTY
M8x30mm Hex Bolt	4
M8x20mm Hex Bolt	12
M8x40mm Hex Bolt	10
M8 Flat Washer	24

ITEM	QTY
M8 Nyloc Nuts	18
M8 Plastic Nut Caps	18

Please be sure to lay out all parts provided on a table or flat surface in order to check that all required parts are accounted for and prevent potential frustration at a later stage.

Installation Instructions

1

Canopy Fitment – Tools, Fasteners & Materials The tables below show the equipment, i.e. tools and fasteners required to start the canopy fitment for a Ford Ranger. This fitment instruction is applicable to the Ford Ranger T6: double cab and extra cab and T7: double cab and extra cab.

1.3

Hardware Required

ITEM	QTY
Left Front Support Bracket	1
Right Front Support Bracket	1
Left Rear Support Bracket	1
Right Rear Support Bracket	1
Universal Bracket	4
Centre Mounting Bracket	2
Standard Shim 01	32

1.4

Consumables Required

ITEM
Turpentine
Cloth
Black sealant, silicone or Sikaflex
Window Cleaner
Thread Lock (Loctite)

Please be sure to lay out all parts provided on a table or flat surface in order to check that all required parts are accounted for and prevent potential frustration at a later stage.

Installation Instructions

2

Front and Rear Canopy Support Brackets

In Figure 1 and Figure 2 below are the canopy support brackets for the Mitsubishi Triton L200.

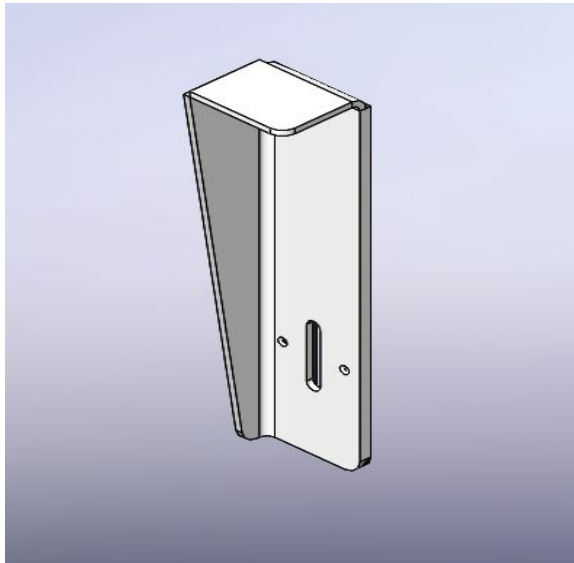


Fig 1. Front Mounting Bracket

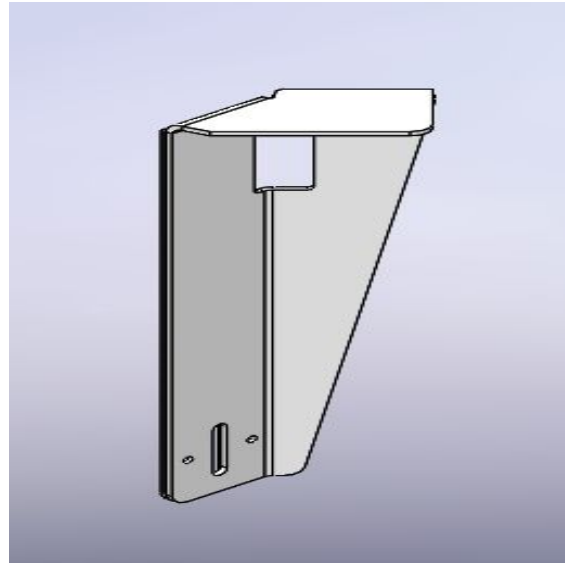


Fig 2. Rear Mounting Bracket

Installation Instructions

2.1

Mounting the Support Brackets to the Load Bin

Figure 3 below illustrates the two right side mounting points. Not shown here will be the two corresponding left side mounting points.



Fig 3. RHS Mounting Points

Installation Instructions

2.2

Bolting the Front and Rear Mounting Brackets to the Load Bin.

Figure 4 illustrates the front left side mounting bracket position and Figure 5 illustrates the rear left side mounting bracket position

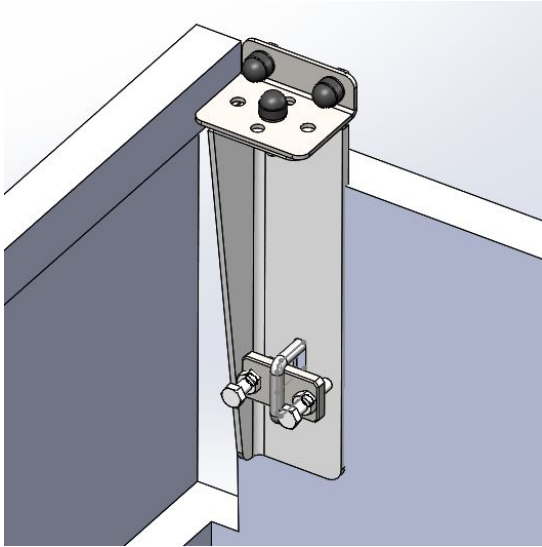


Fig 4. LHS Front Mounting Bracket

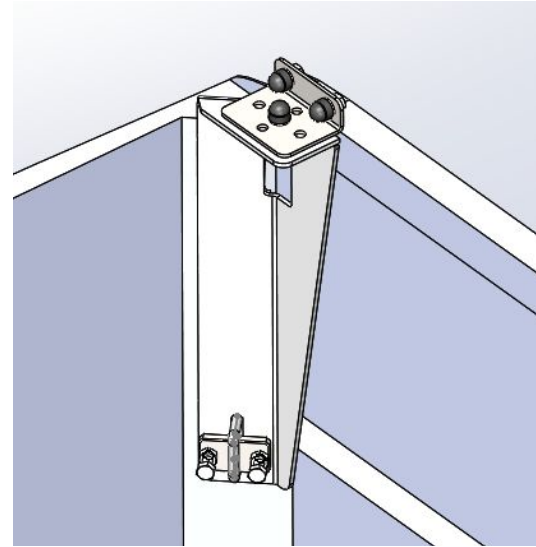


Fig 5. LHS Rear Mounting Bracket

Installation Instructions

Figure 6 Cross-section of the load bin illustrating front, rear and centre mounting brackets in their respective positions.

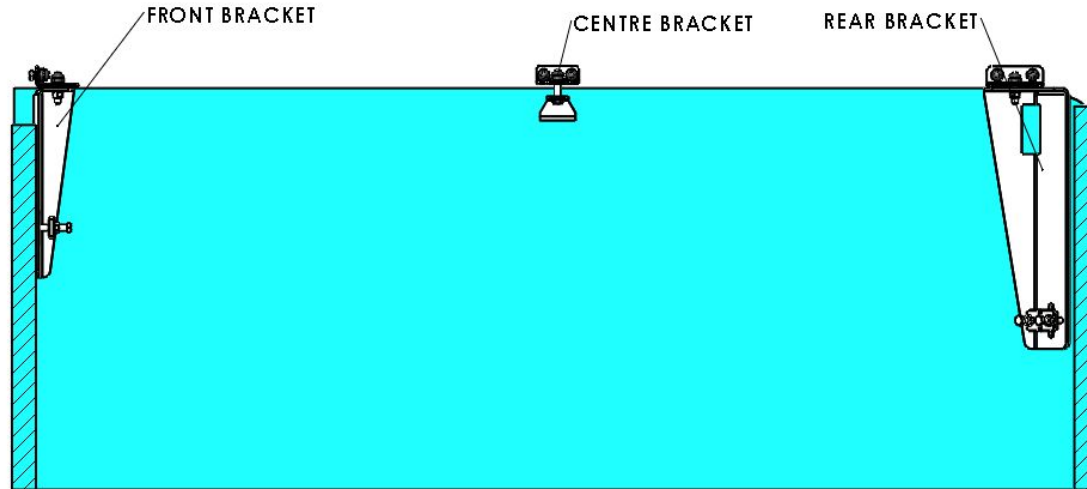


Fig 6. Load bin Cross-section

Installation Instructions

Figure 7 Front bracket, Figure 8 Rear Bracket and Figure 9 Centre Bracket assemblies.

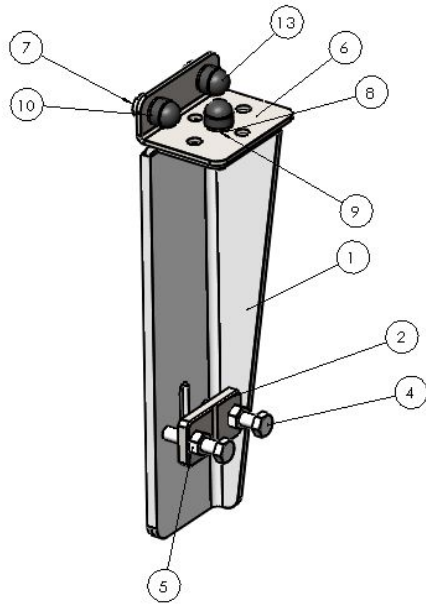


Fig 7. Front Bracket

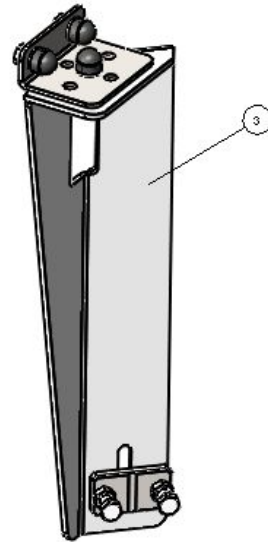


Fig 8. Rear Bracket

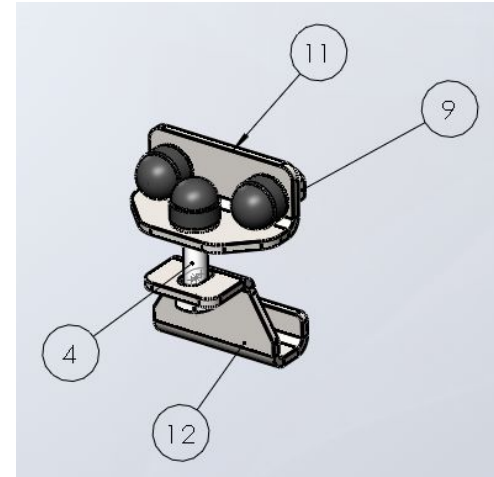


Fig 9. Centre Bracket

Installation Instructions

Important: Apply thread lock to all M8x40mm Hex Bolts as per Figure 10 below

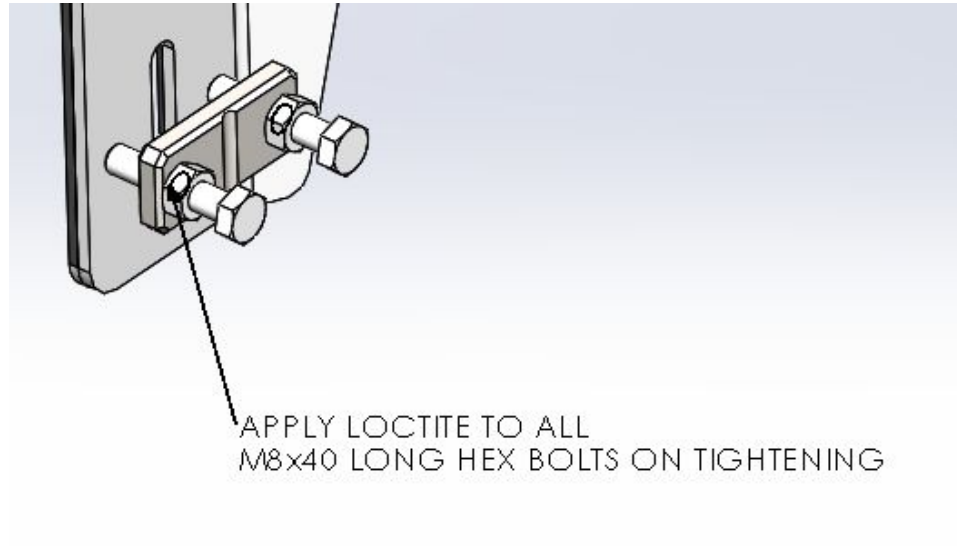


Fig 10. Thread Lock

Installation Instructions

MITSUBISHI TRITON L200 DC			
ITEM NO.	PART NUMBER	DESCRIPTION	QTY.
1	203-FNT-MNT-01-00	FRONT MOUNTING BRACKET	2
2	202-CLMP-PLT-01-00	CLAMP PLATE	4
3	203-RER-MNT-01-00	REAR MOUNTING BRACKET	1
4	M8x40 Hex Head Bolt	M8x40 HEX BOLT	10
5	M8 Hex Head Nut	Hex Head Nut	14
6	Universal Canopy Mount Bracket REV A	CANOPY MOUNTING BRACKET	4
7	M8x20 Hex Head Bolt	M8x20 Hex Head Bolt	12
8	M8x30 Hex Head Bolt	M8x30 HEX BOLT	4
9	M8 Flat Washer	M8 Flat Washer	24
10	N8 Nyloc Nut	N8 Nyloc Nut	18
11	CMB-000-001	ANGLE BRACKET	2
12	CMB-000-002	BOTTOM CLAMP BRACKET	2
13	M8 Nut Cap	Nut Cap	18
14	SHIM	SHIM	16

Fig 11. Bill of Materials

Installation Instructions

3

Centre Mounting Brackets

The centre mounting bracket consists of two parts as illustrated in in Figure 12 and 13 below.

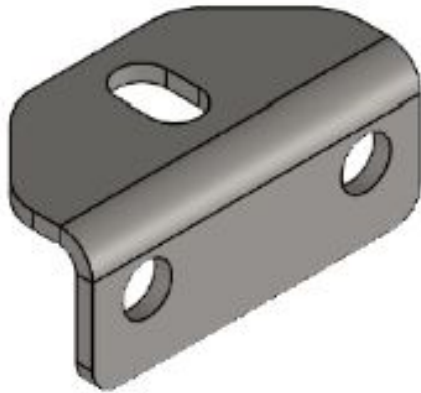


Fig 12. Canopy Mounting Bracket

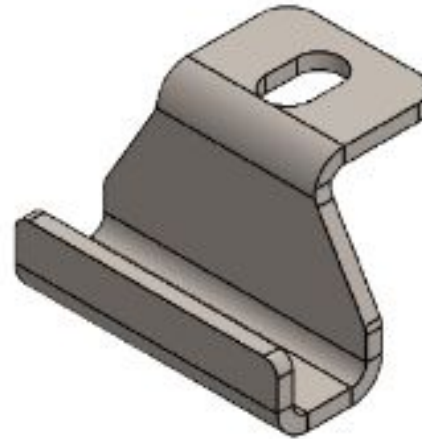


Fig 13. Load Bin Mounting Bracket

Installation Instructions

3.1

Mounting the Centre Mounting Bracket

In Figure 14 and 15 below illustrates how the centre mounting bracket clamps onto the load bin.

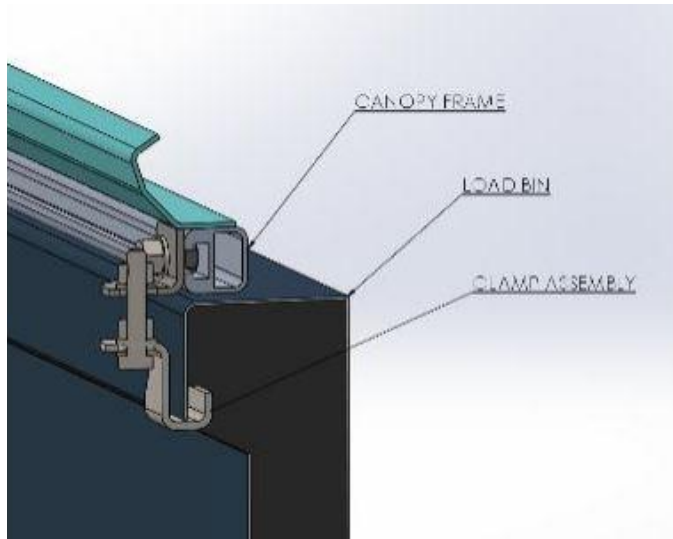


Fig 14. Load Bin Centre Bracket Cross-Section



Fig 15. Centre Bracket on Load Bin

Installation Instructions

4

Canopy Installation

Before placing the canopy onto the load bin, check that the D-Rubber is intact on the canopy. If this is not done, the canopy and/or load bin could be damaged or can cause leaks into the canopy.

To position the canopy, ensure that it is flush with the load bin as illustrated in Figure 16.

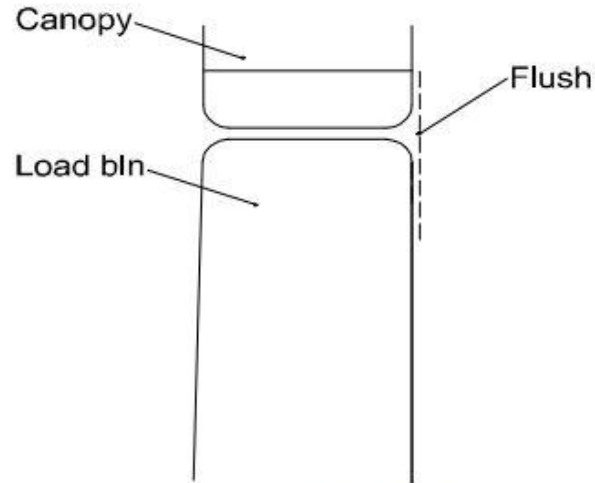


Fig 16. Load Bin and Canopy

Disclaimer

All rights reserved. No part of this website may be reproduced, translated, stored in a retrieval system, or transmitted, in any form or by any means, electronic, mechanical, photocopying, recording or otherwise, without prior written permission of the owner.

Review all instructions information carefully before installation.

Any damages, direct or incidental to the installer and/or property due to incorrect installation of any parts are the responsibility of the installer. Due to the various applications and fitment options available, the responsibility lies with the user to ensure all mounting points are secure and tight before every trip.

If unsure, consult with your Distributor regarding the operations of our products.

Users are advised to be mindful of the load they are carrying and drive in accordance with road conditions.

WARNING

Always wear appropriate PPE (Personal protection equipment) when fitting our products. Although the mounting kit is designed to be DIY, if you have any doubts or concerns, contact an accredited fitment centre to carry out the work. Alu-Cab will not be liable for any injury to persons, and/or damage to products and/or vehicles.

While Alu-Cab Holdings takes reasonable measures to ensure that the contents of this Website are accurate and complete, Alu-Cab Holdings makes no representations or warranties, whether express or implied, as to the quality, timeliness, operation, integrity, availability or functionality of this Website or as to the accuracy, completeness or reliability of any information on this Website. Alu-Cab Holdings reserves the right to make changes, corrections and/or improvements to the information and to the products and programs described in such information, at any time without notice.

Alu-Cab Holdings will use reasonable endeavours to maintain the availability of the Website, except during scheduled maintenance periods, and reserves the right to discontinue providing the Website or the service or any part thereof with or without notice to you. Any person who accesses this Website or relies on this Website or on the information contained in this Website does so at his or her own risk.

Occasionally, at our discretion, we may include or offer third-party products or services on our website. These third-party sites have separate and independent privacy policies. We therefore have no responsibility or liability for the content and activities of these linked sites. Nonetheless, we seek to protect the integrity of our site and welcome any feedback about these sites.