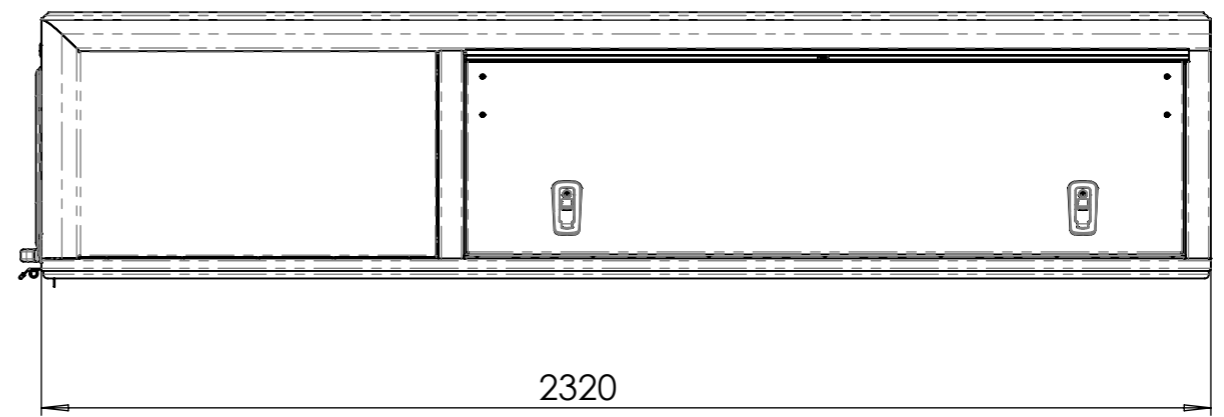
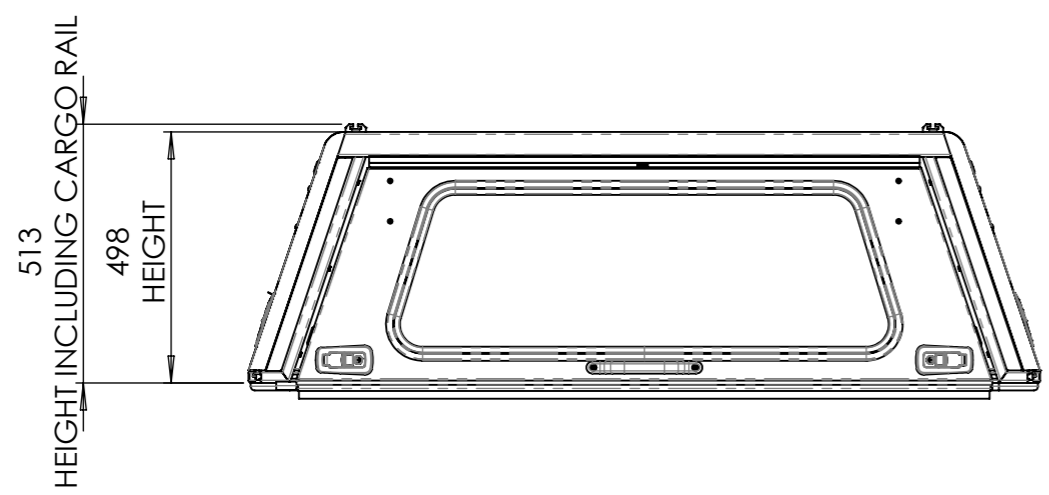
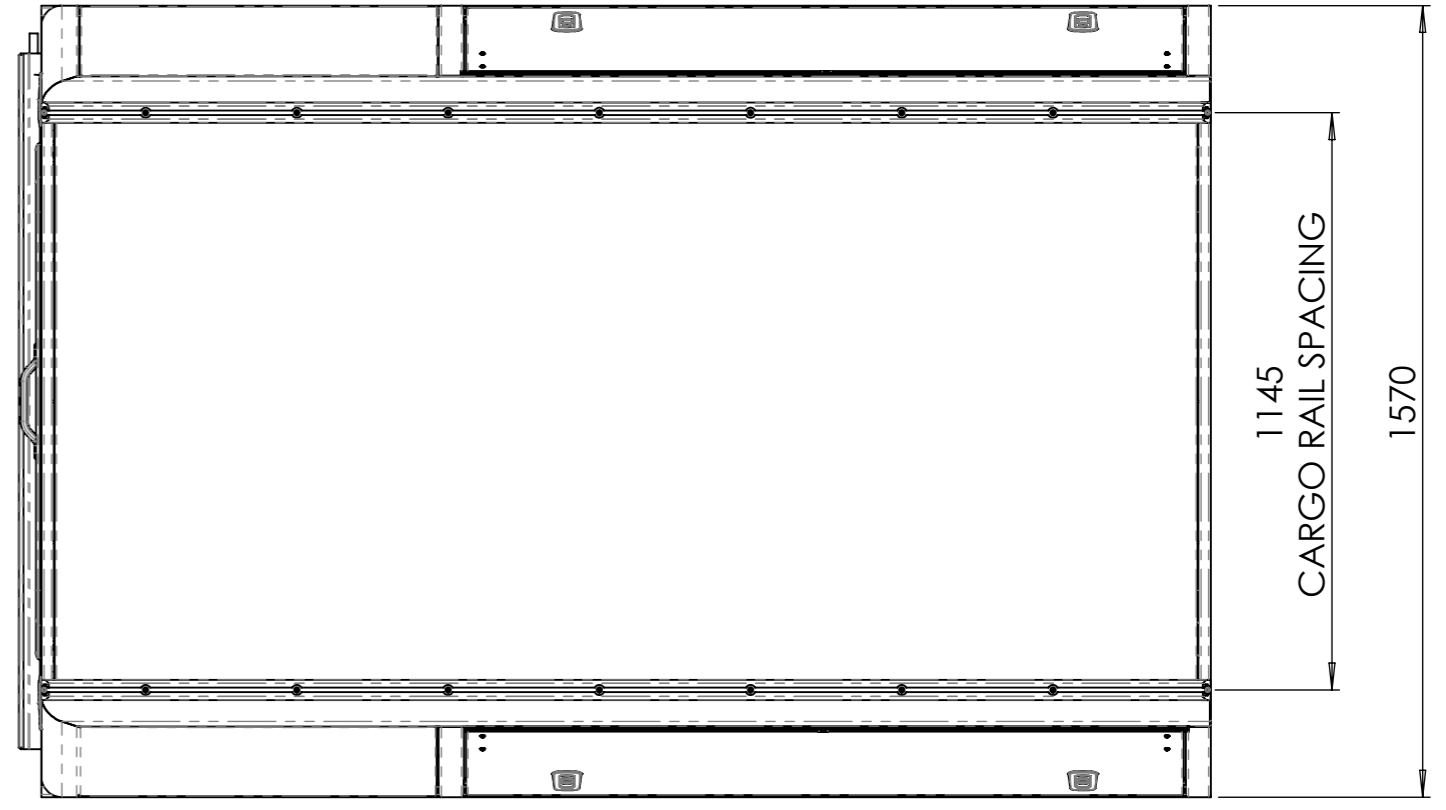
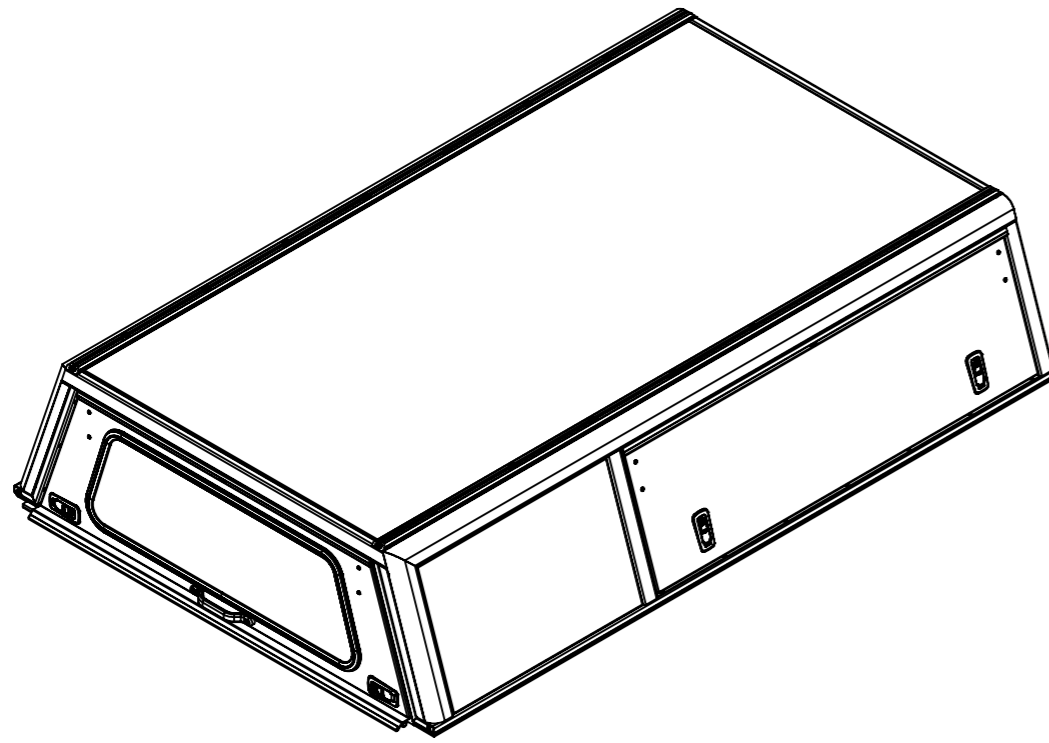


PART INFO	MASS (kg):	
	ORDERING:	
PROCESS INFO	SHEET METAL:	
	LASER CUT:	
	PUNCHED:	
	MACHINED:	
	OFF THE SHELF:	
	CNC ROUTING:	
	WELDED:	
CUT:		
DRILL / TAP:		
TUMBLED:		
BRUSHED:		
POWDER:		
SPRAY:		
COLOUR:		



TOLERANCES TO ASSUME UNLESS INDICATED OTHERWISE		
NOM DIMENSION	RANGE (mm)	TOLERANCE
0.50	- 3.00	± 0.10
3.00	- 6.00	± 0.15
6.00	- 30	± 0.20
30	- 120	± 0.30
120	- 400	± 0.50
400	- 1000	± 1.00
1000	- 1000<	± 2.00

DESCRIPTION:  
PROJECT:  
DRAWN BY: DATE: 08/07/2017  
THE INFORMATION CONTAINED WITHIN THIS DOCUMENT IS THE INTELLECTUAL PROPERTY OF ALU-CAB (PTY) LTD

SHEET: A3  
SCALE: 1:15  
SHEET 1 of 1



DRAWING NO. Ford Ranger T6 SC  
REV