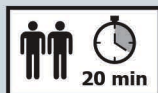
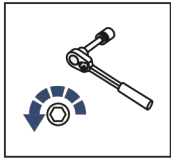
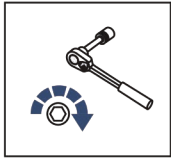


**2M.0001.1 ; 2M.0001.2 ; 2M.0001.3 ;  
2M.0001.4 ; 2M.0001.5**





Regular fasteners



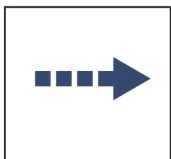
Regular fasteners



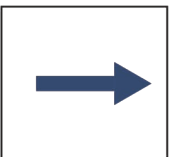
Screw a several turns



Loosen bolts



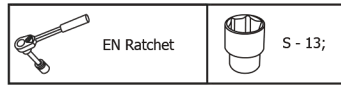
Movement Arrow

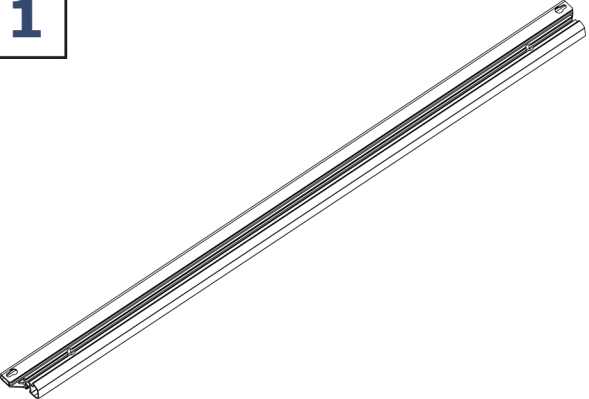
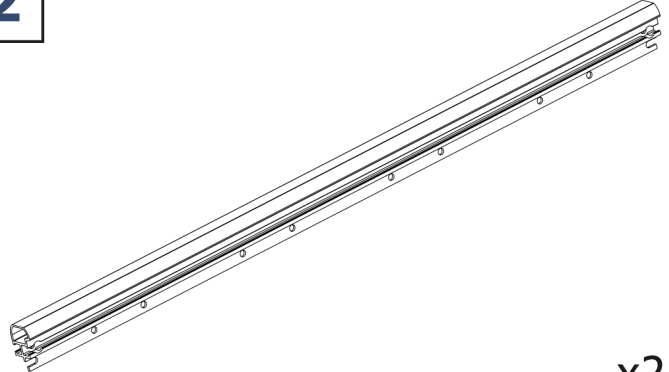
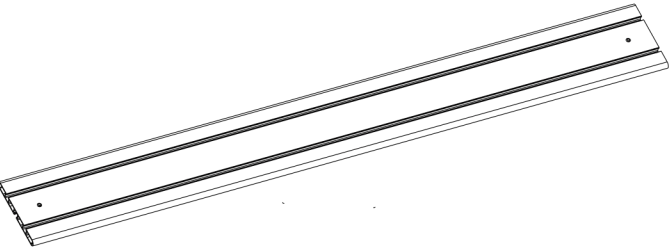
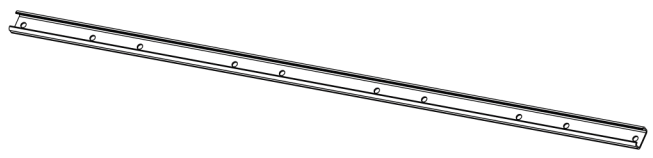
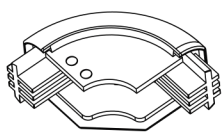
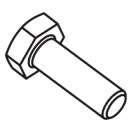
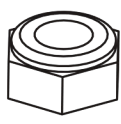

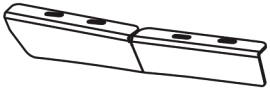
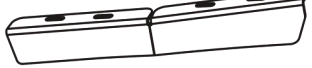




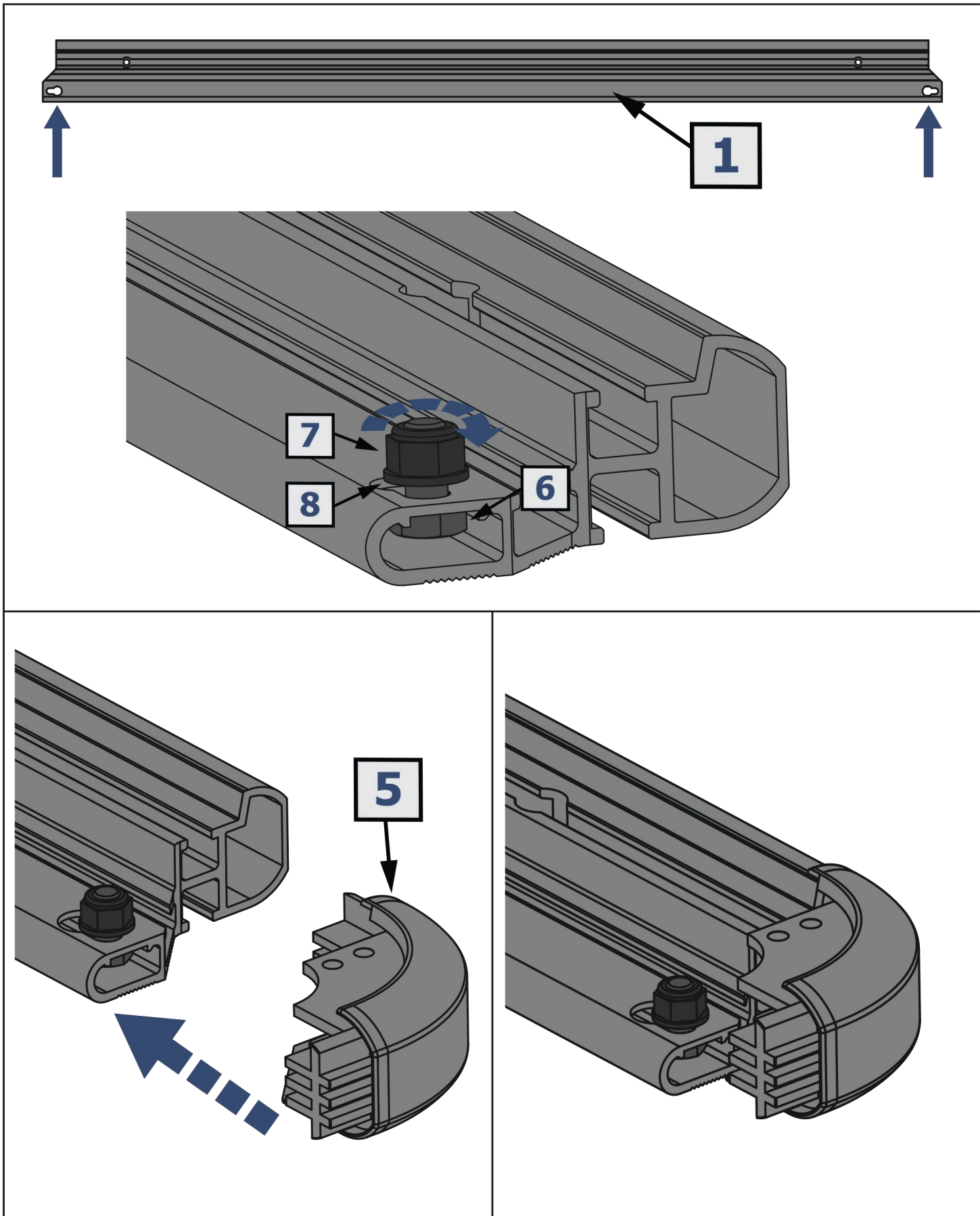
Location/Position Arrow



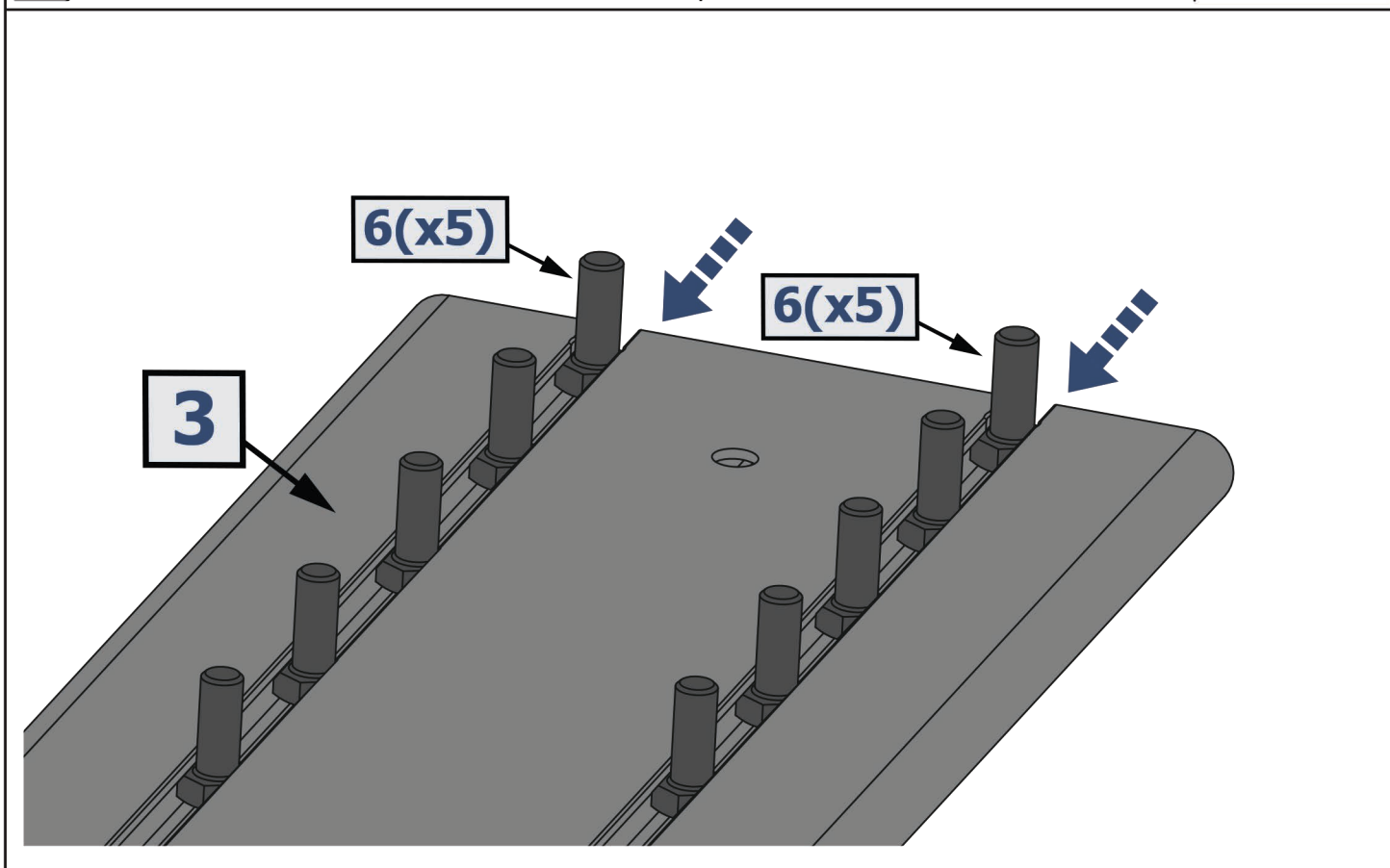
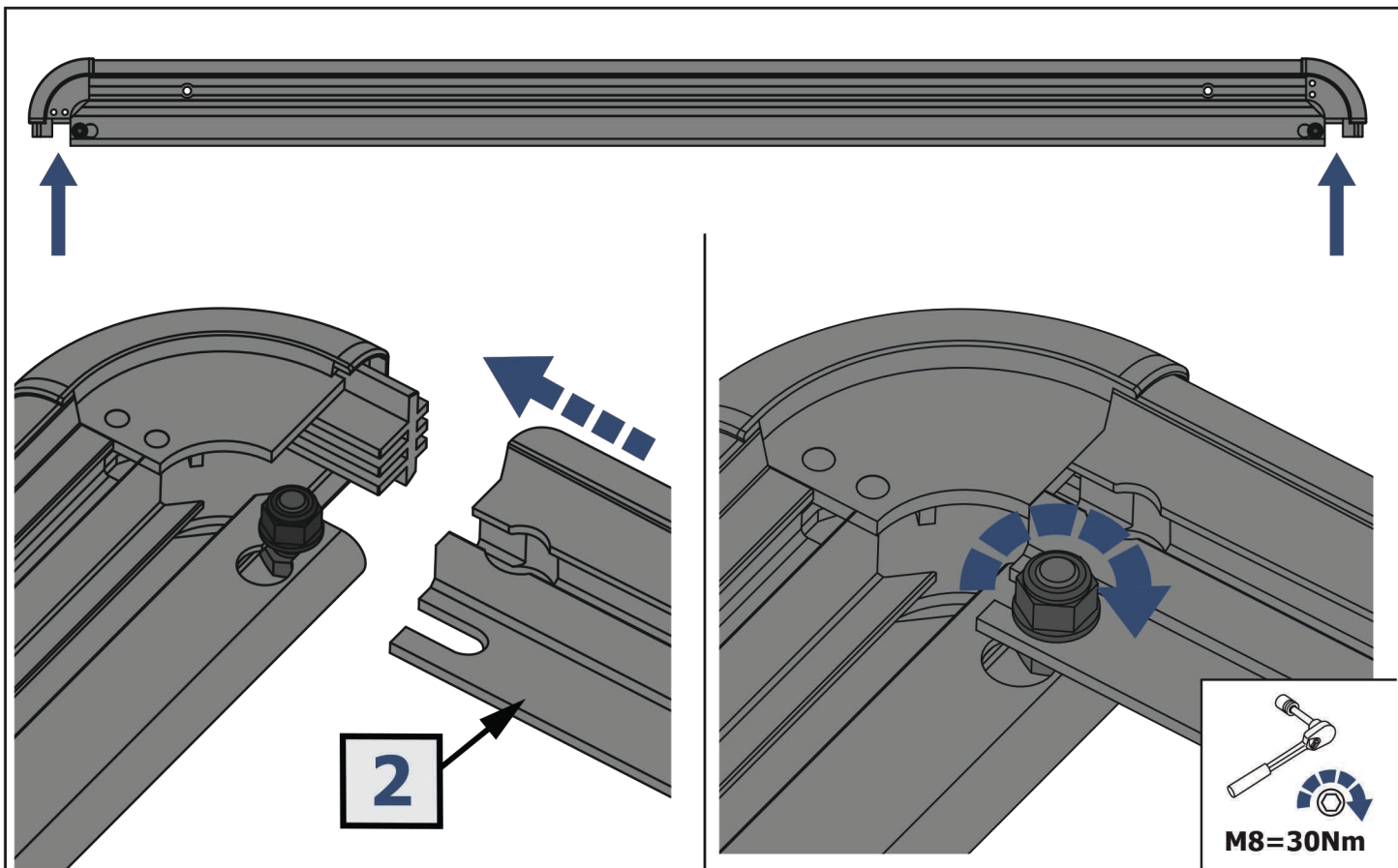
Screw Arrow

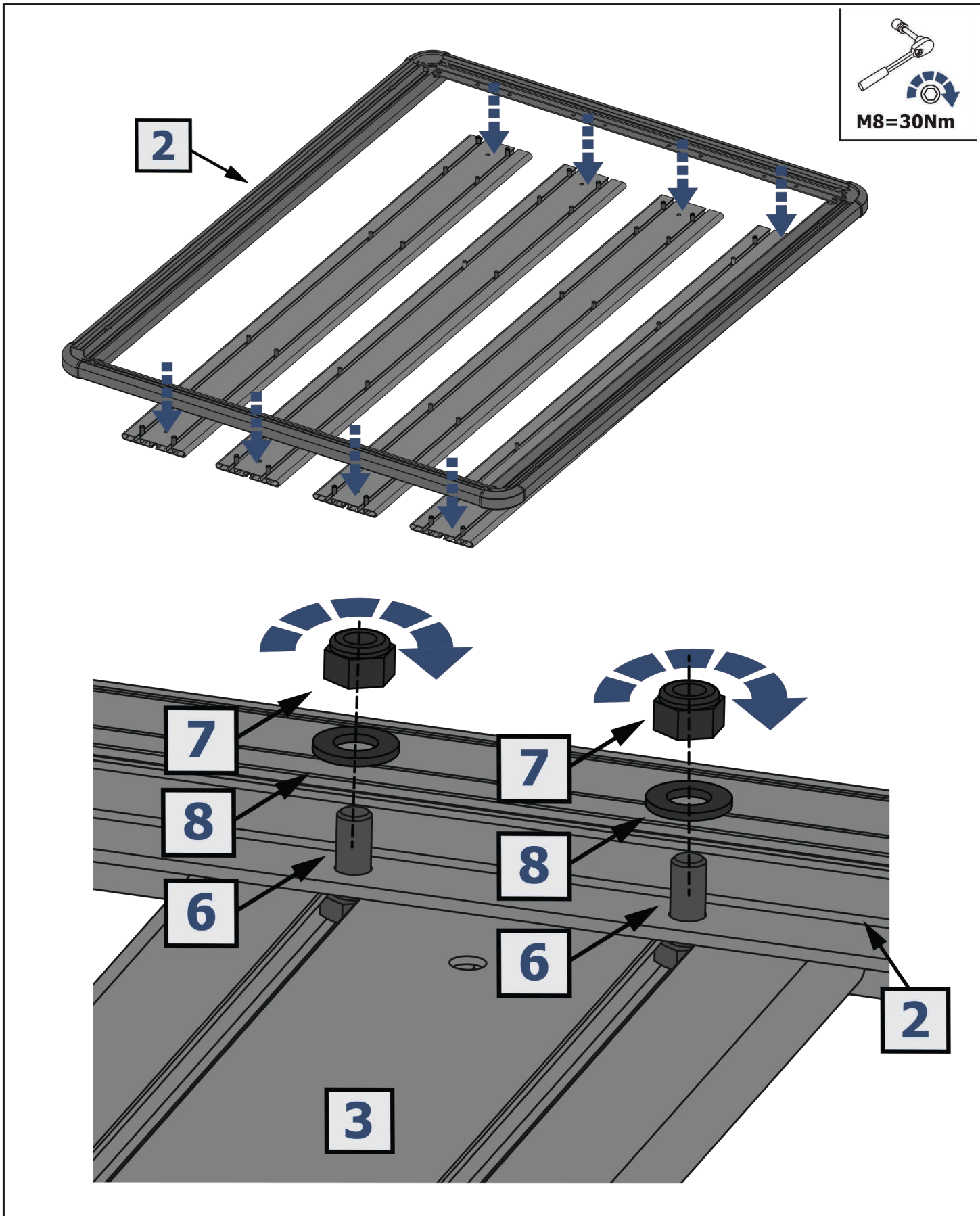


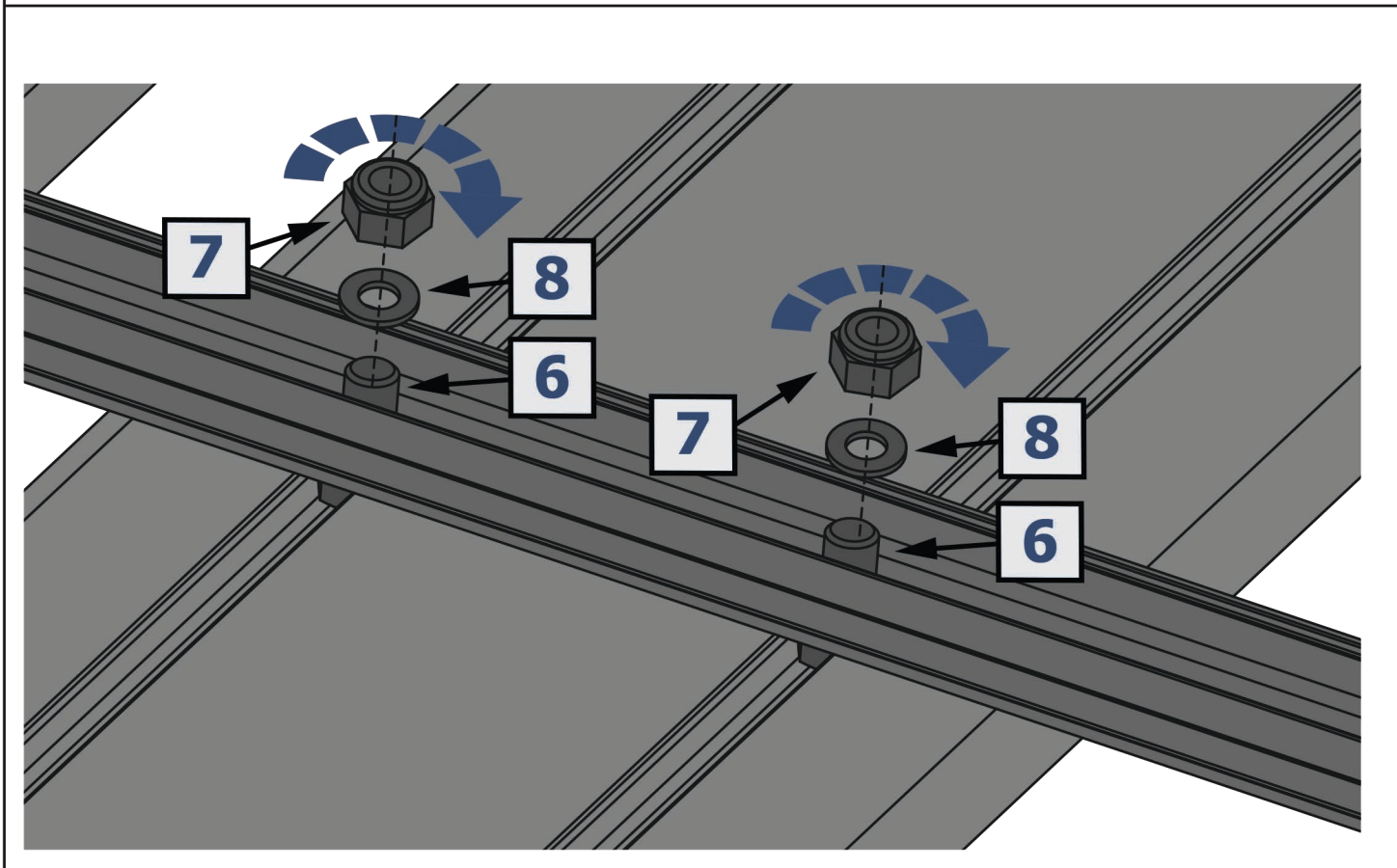
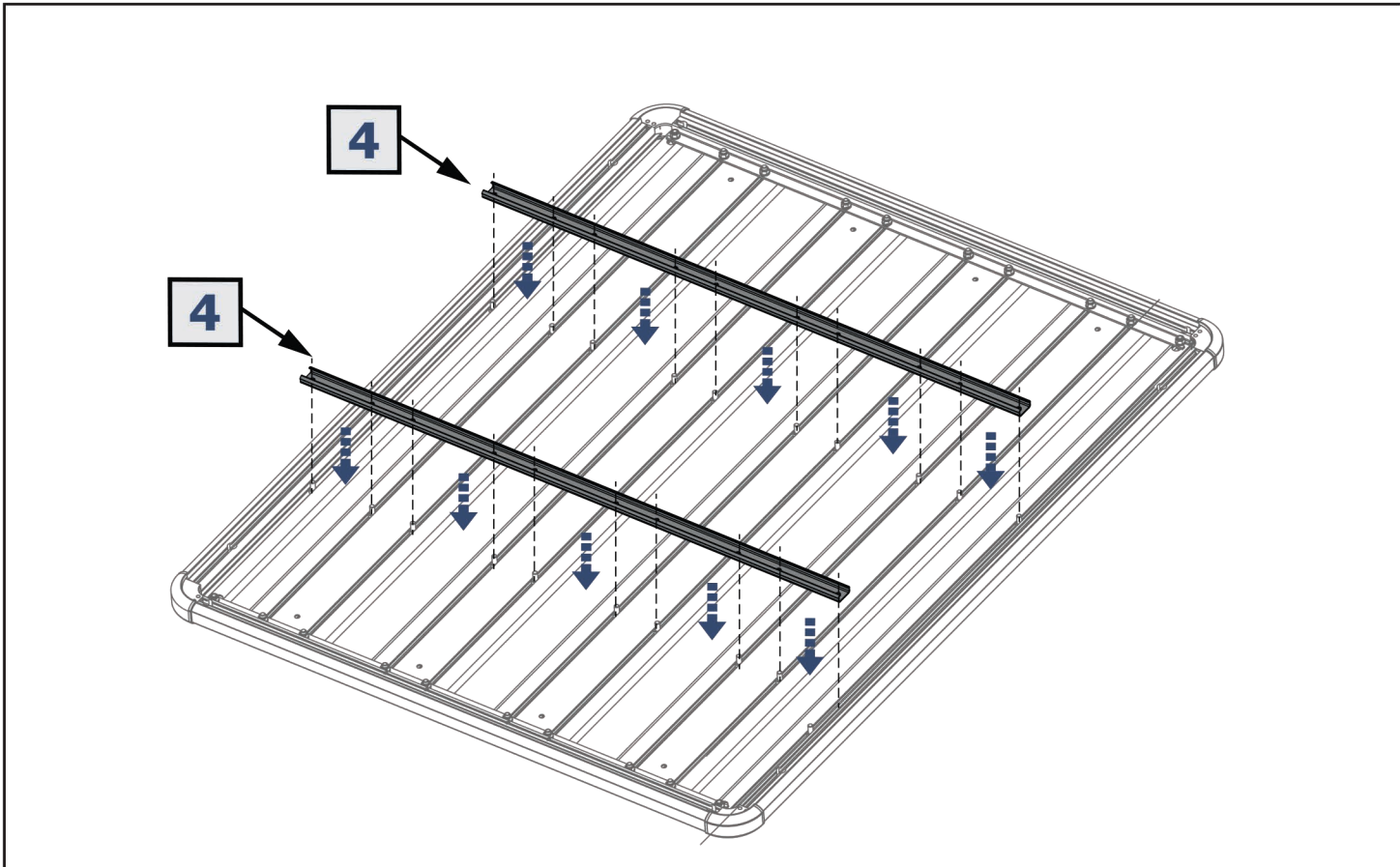
<p><b>1</b></p>  <p>x2</p>	<p><b>2</b></p>  <p>x2</p>		
<p><b>3</b></p>  <p>x4</p>	<p><b>4</b></p>  <p>x2</p>		
<p><b>5</b></p>  <p>x6</p>	<p><b>6</b></p>  <p>M8x16      x50</p>	<p><b>7</b></p>  <p>M8      x50</p>	<p><b>8</b></p>  <p>Ø8      x50</p>
<p><b>9</b></p>  <p>x1</p>	<p><b>10</b></p>  <p>x1</p>	<p><b>11</b></p>  <p>M8      x2</p>	<p><b>12</b></p>  <p>M6      x2</p>



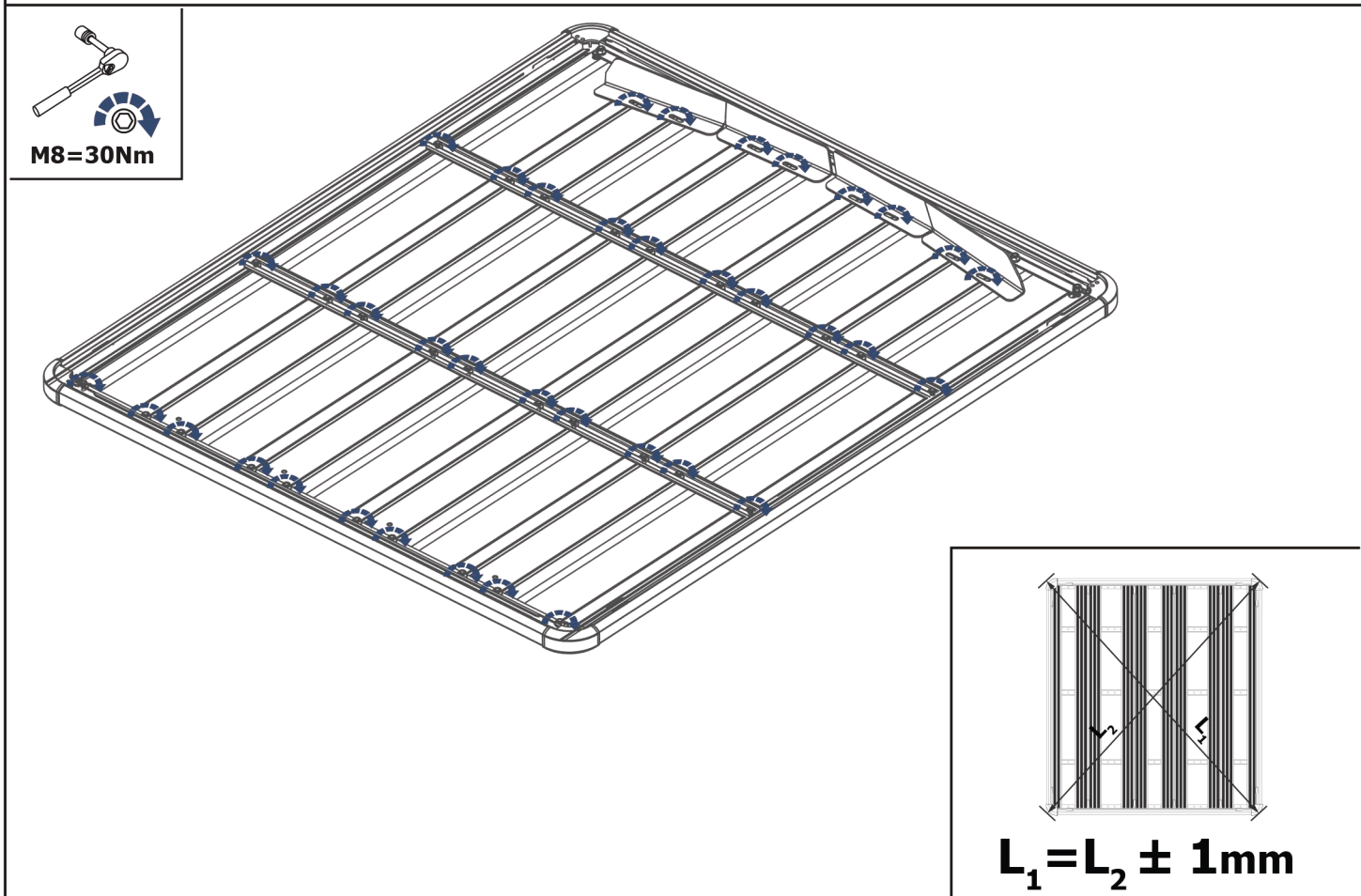
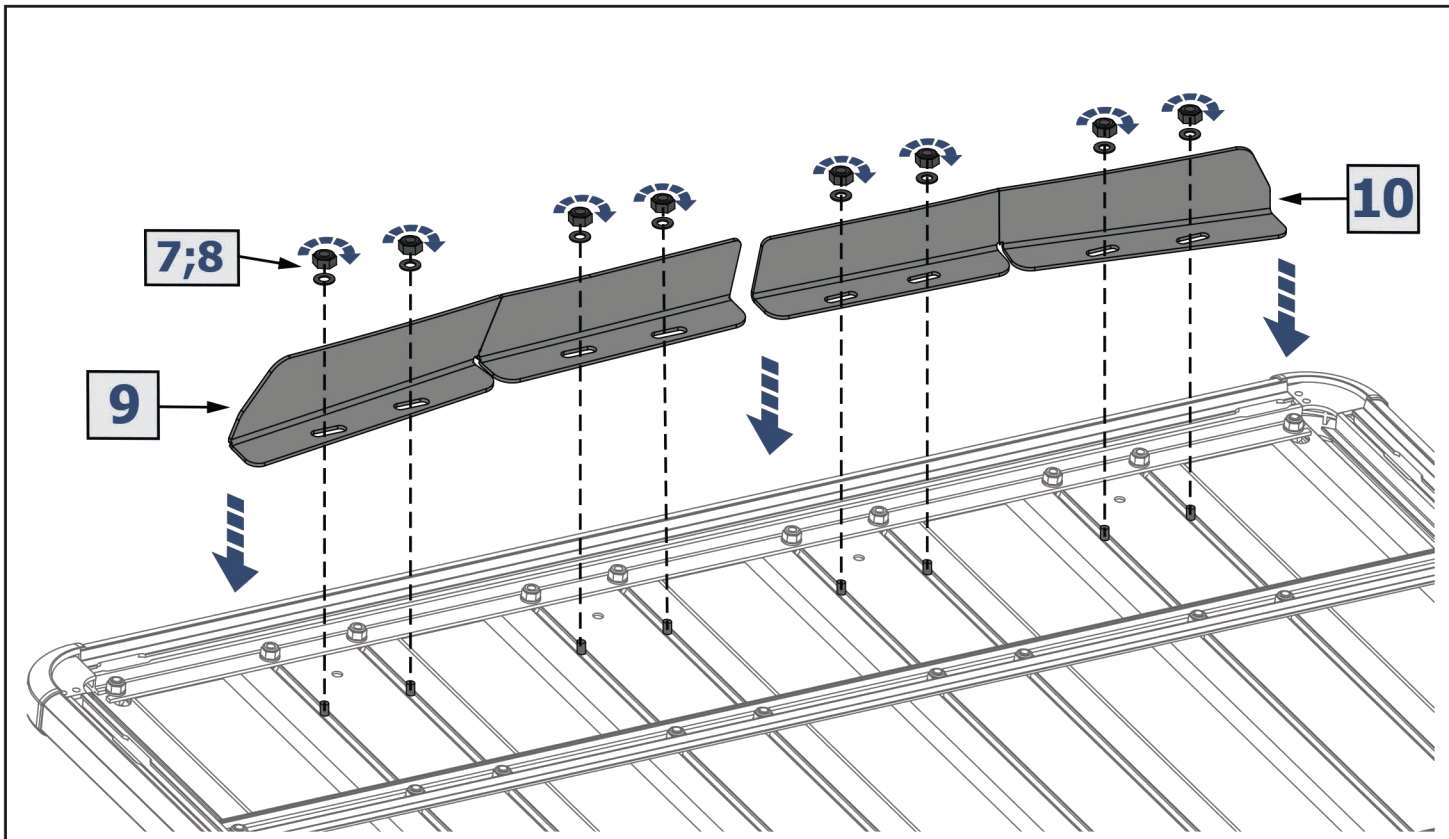










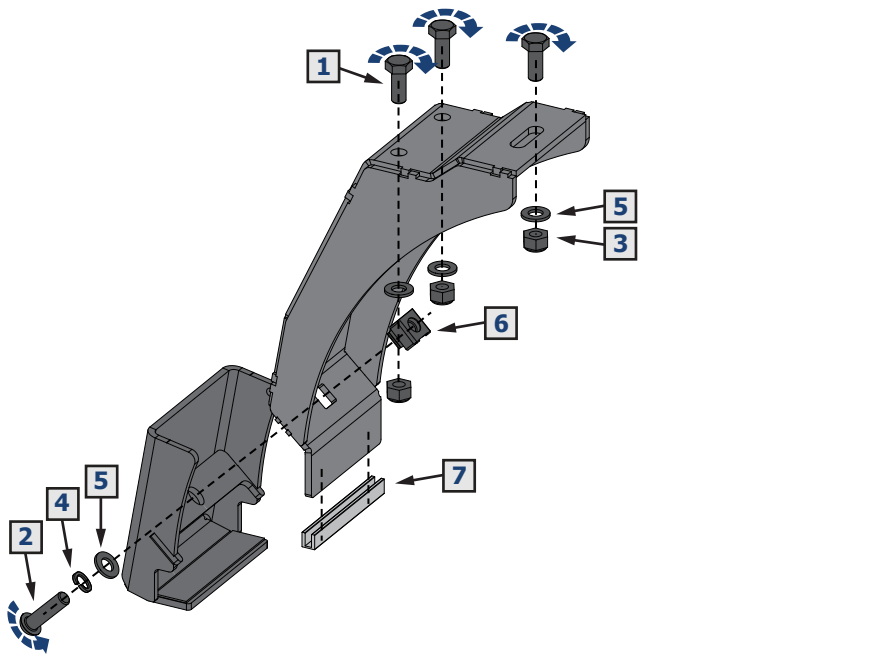
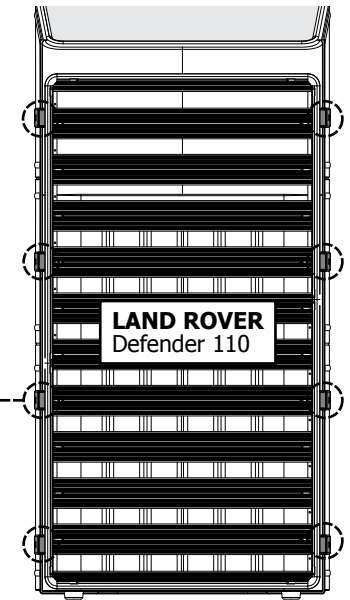
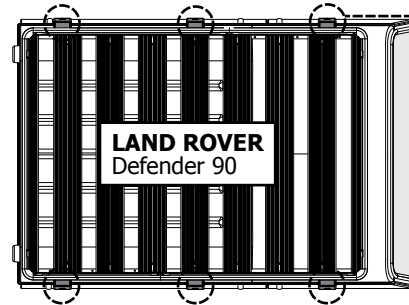
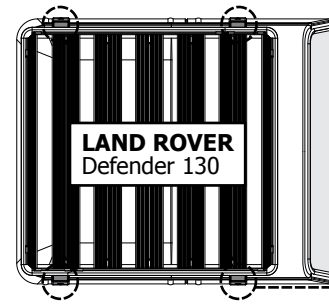




## GUTTER MOUNTS for Land Rover Defender (1990-2016)

2M.3101.K

2M.3101.1; 2M.3101.2; 2M.3101.3



<b>1</b>		<b>2</b>		<b>3</b>		<b>4</b>		<b>5</b>		<b>6</b>		<b>7</b>	
	M8x20	x6	M8x20	x2	M8	x6	Ø8	x2	Ø8	x8	M8	x2	

