

# FITMENT INSTRUCTIONS

**Alu-Cab**<sup>TM</sup>



## Shower Cube to Icarus & Land Cruiser SC (SH-BKT-RC-DE)

All rights reserved. No part of this document may be reproduced, translated, stored in a retrieval system, or transmitted, in any form or by any means, electronic, mechanical, photocopying, recording or otherwise, without prior written permission of the owner.

Review all instructions information carefully before installation.

Any damages, direct or incidental to the installer and/or property due to incorrect installation of any parts are the responsibility of the installer. Due to the various applications and fitment options available, the responsibility lies with the user to ensure all mounting points are secure and tight before every trip. If unsure, consult with your Distributor regarding the operations of our products.

Users are advised to be mindful of the load they are carrying and drive in accordance with road conditions.

DISCLAIMER

**Alu-Cab**

## 1. Shower Cubicle Fitment – Tools, Fasteners & Materials

The tables below show the equipment, i.e. tools and fasteners required to start the shower cubicle fitment onto an Icarus Tent or a Landcruiser Single Cab Canopy Camper.

### 1.1. Tools & Items Required:

TOOLS	ITEM
Ratchet	Turpentine
13mm Socket	Cloth
13mm Ring Flat Spanner	Black sealant, silicone or Sikaflex
Drill	
Drill Bit Ø8.5	

### 1.1. Fasteners supplied: (Included with Shower Cubicle)

ITEM	QTY
HEX HEAD BOLT M8X20	8
M8 FLAT WASHER	16
M8 NYLOC NUT	8
M8 PLASTIC NUT CAP	12

### 1.2. Hardware Required: (Included with Shower Cubical)

ITEM	DESCRIPTION	QTY
SHOWER CUBICLE	SHOWER CUBICLE ASSEMBLY	1
SHOWER CUBICLE BAG	BLACK SHOWER CUBICLE BAG	1
SHOWER CURTAIN	GREY SHOWER CURTAIN	1

### 1.2. Brackets Required: (Sold Separately)

AWNING MOUNTING BRACKET	LR-AW-000-002	2
AWNING BRACKET BACK PLATE	TR-AW-010-002 REV B	8

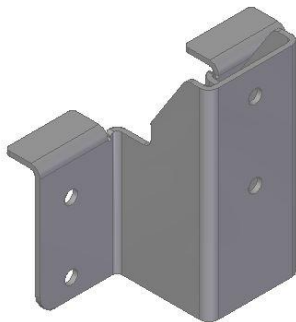
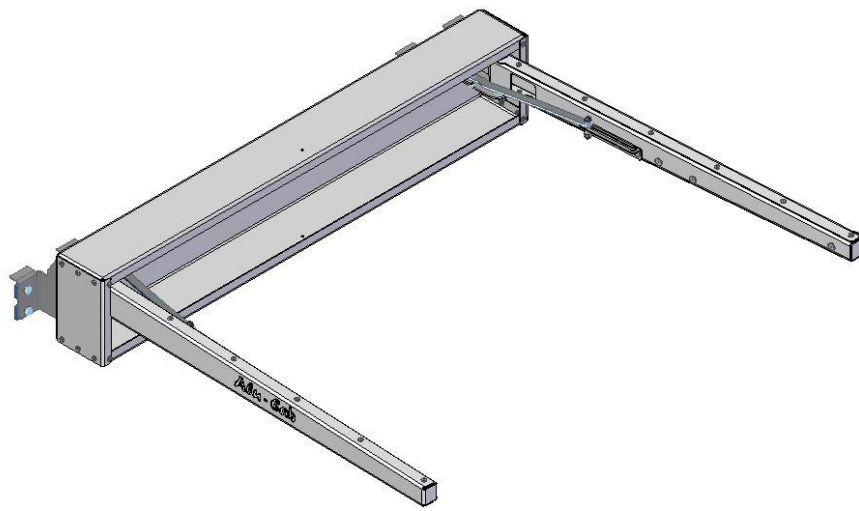


Figure 2. LR-AW-000-002

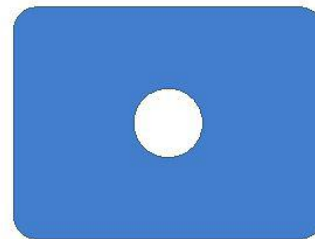


Figure 3. TR-AW-010-002 REV B



**WARNING**

Always wear appropriate PPE ( Personal protection equipment) when fitting this product. Although the mounting kit is designed to be DIY, if you have any doubts or concerns, contact an accredited fitment centre to carry out the work. Alu-Cab will not be liable for any injury to persons, and/or damage to products and/or vehicles.

## 2. Mounting the front Generic bracket to Icarus / Landcruiser SC C/Camper

Remove the aluminum panels the on the inside . See Fig. 4 & 5

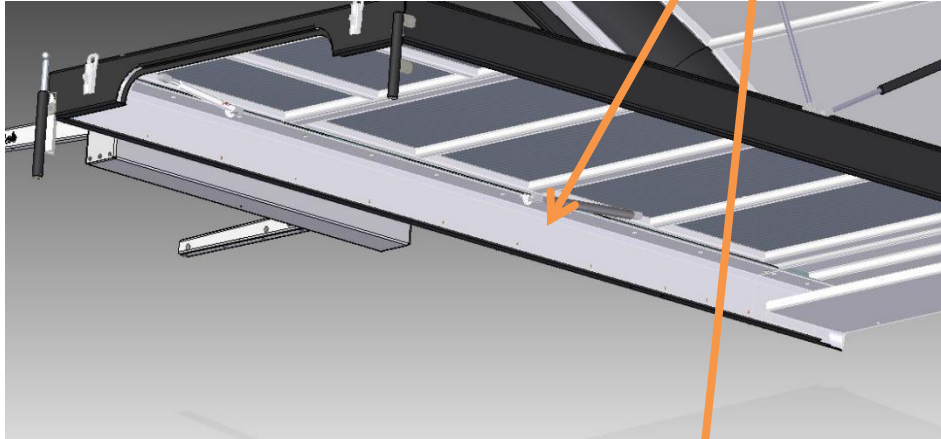


Figure 4.

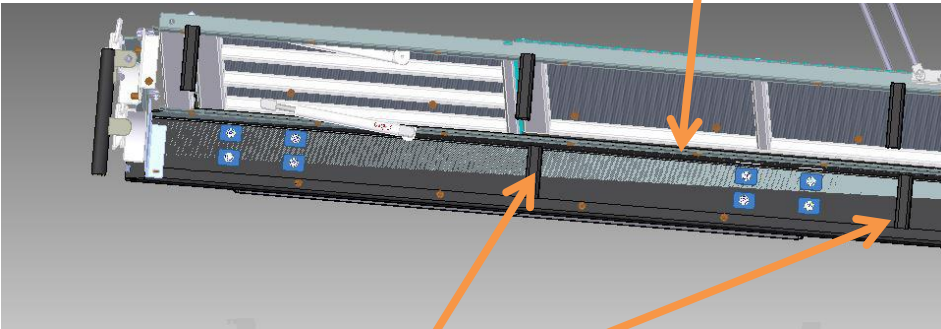
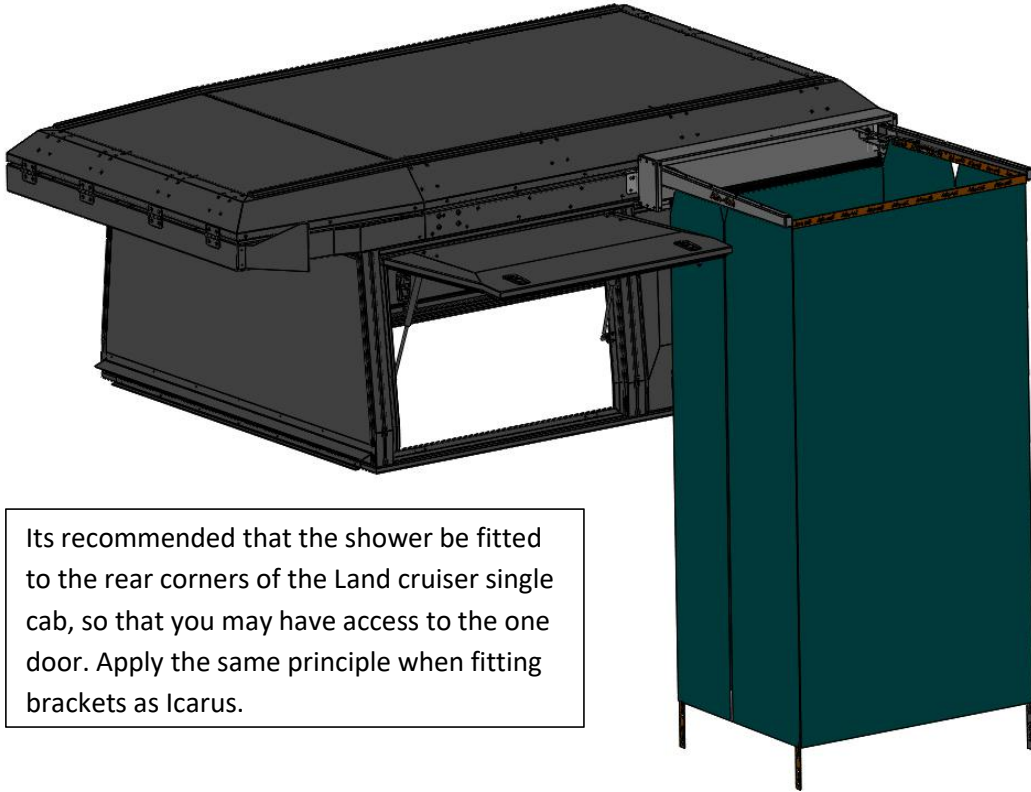


Figure 5.

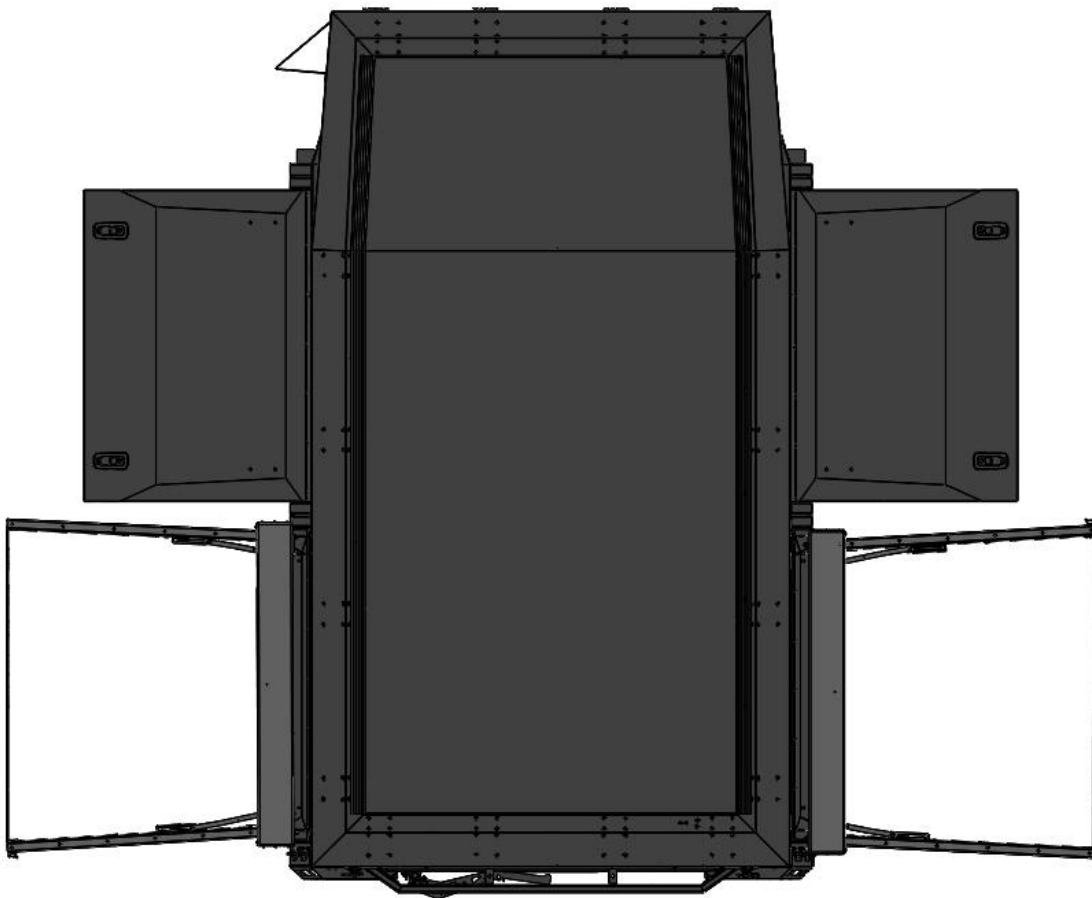
Support posts

Icarus

## Land cruiser



Its recommended that the shower be fitted to the rear corners of the Land cruiser single cab, so that you may have access to the one door. Apply the same principle when fitting brackets as Icarus.



## 2.1 Mounting of the Brackets to the body

Mounting of the brackets(LR-AW-000-002) can be positioned almost anywhere along the sides of the vehicle as long as the bracket back plate(TR-AW-010-002 REV B) is clear from the support posts on the inside of the roof as shown in **fig 5**.

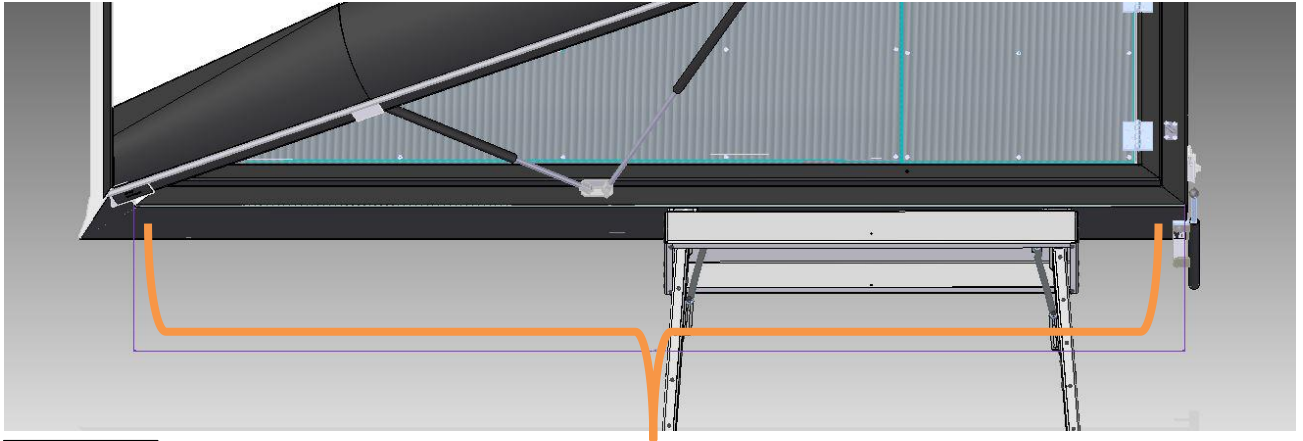
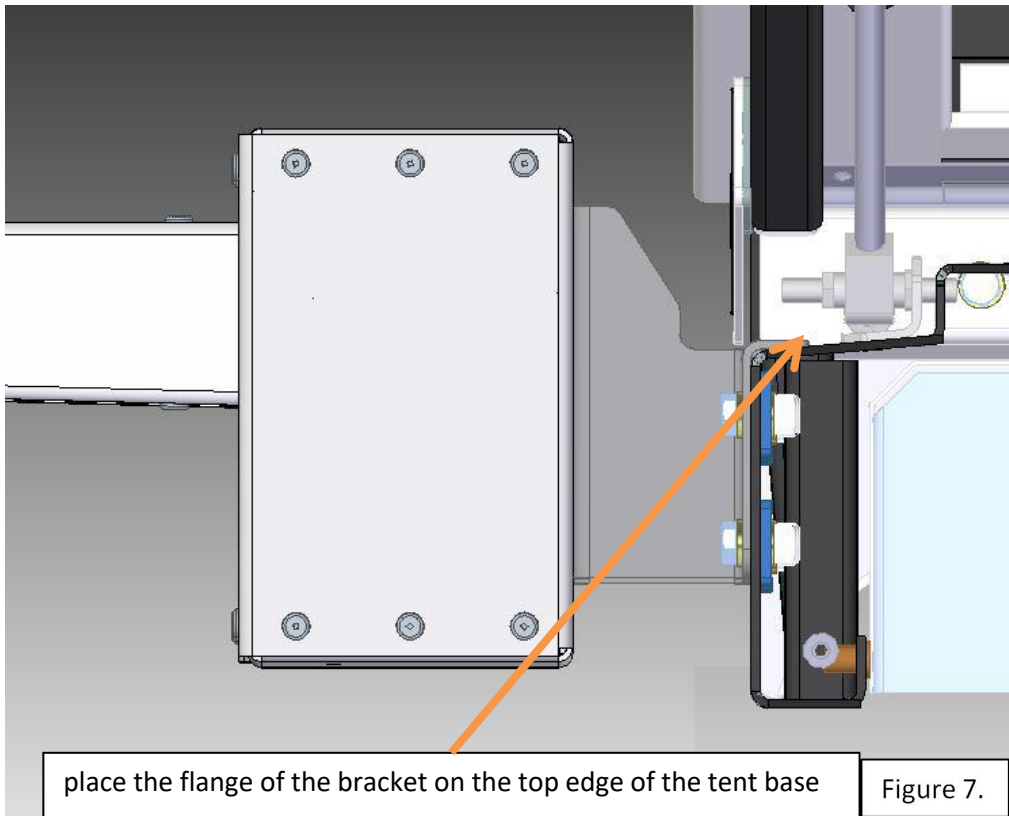


Figure 6.

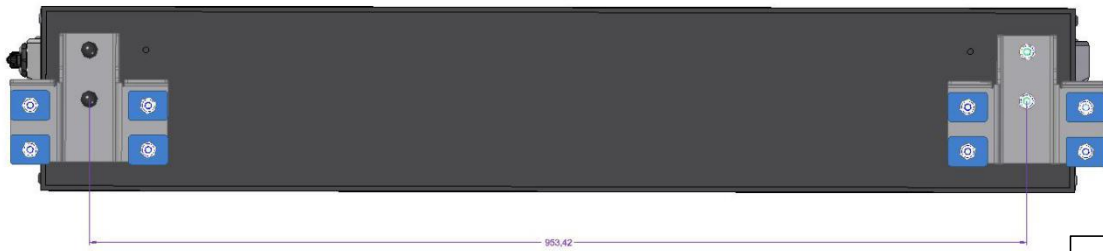
Mount along the sides of the tent

Mount the (LR-AW-000-002) mounting bracket along the tent base with the flange resting on the tent base, while using the holes in the bracket as a jig to drill holes.



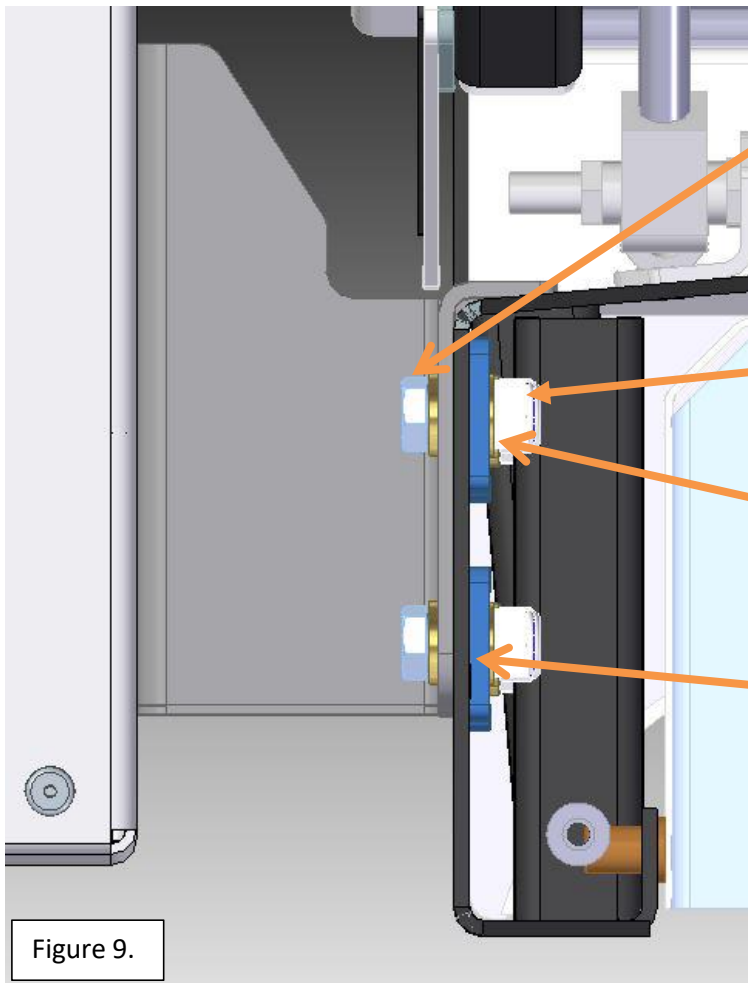
place the flange of the bracket on the top edge of the tent base

Figure 7.



953.5mm spacing between the 2 brackets

Figure 8.



HEX HEAD BOLT M8X20

NYLOC NUT M8

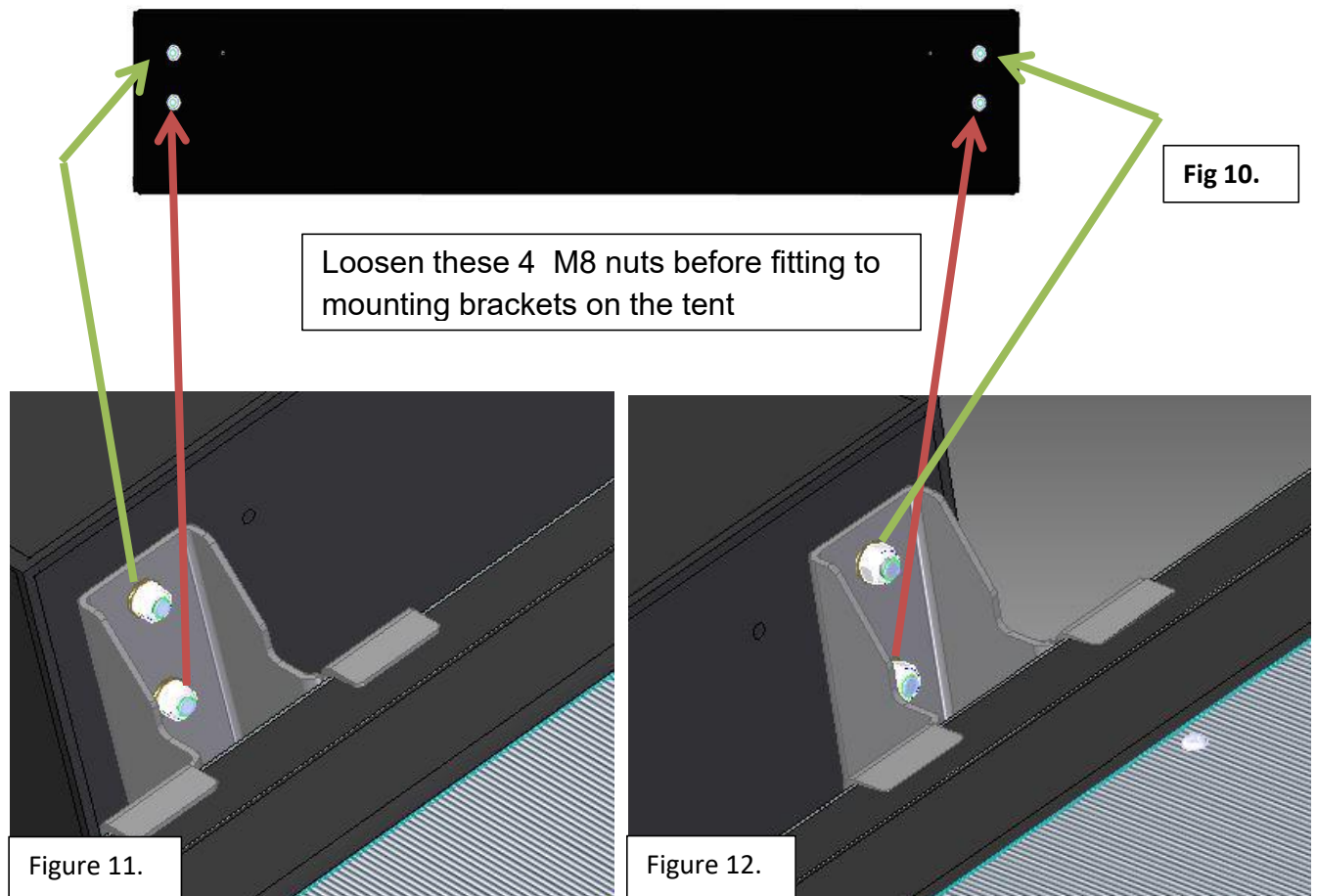
WASHER M8

TR-AW-010-002 REV B

Figure 9.

Place M8 Plastic Nut Caps on all M8 Nyloc Nuts and bolt heads on the outside to finish of the mounting bracket fitment.

### 3. Mounting the shower cubicle.



Place shower cubicle assembly with the bag on mounting brackets and secure shower cubicle to the mounting brackets using the same nuts that were removed in fig 10. And place M8 nut caps on all nuts.