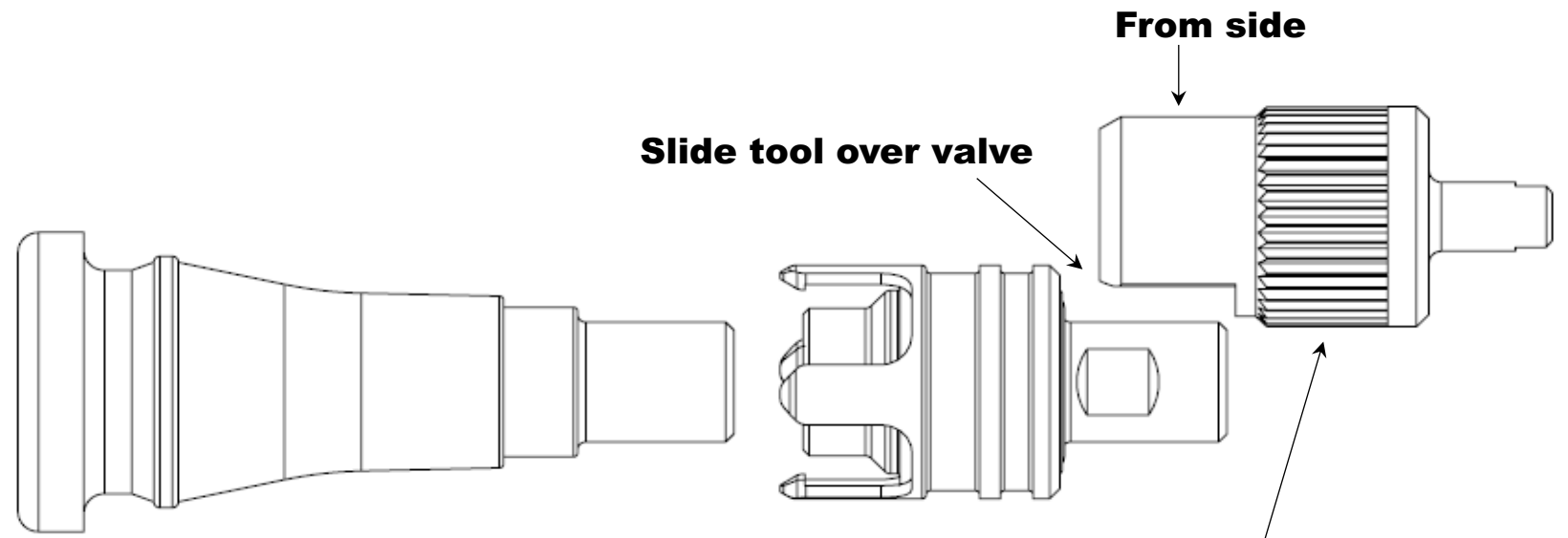
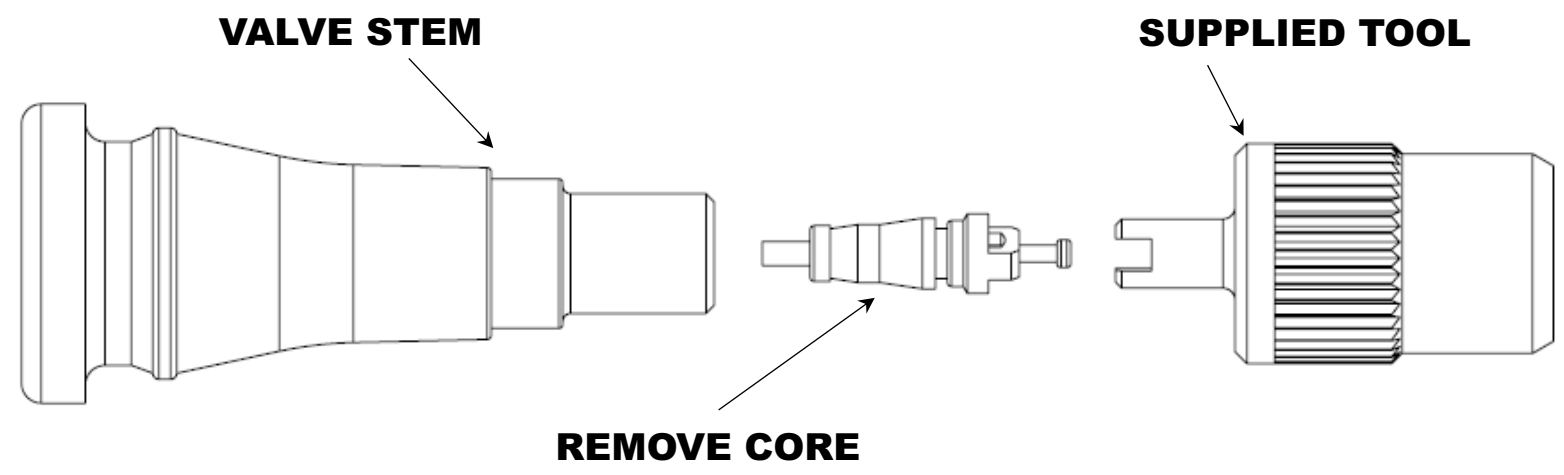


Q02-02-007



For further detailed instructions and information.



Screw new valve to valve stem snug with supplied tool

Remove valve cap